

Techno-Whizzy 1, Parts 1 & 2

Refer to the above article in the December 1992 issue, page 12. Diode D1 is backwards in the schematic diagram (Figure 3), it should be installed as shown in Figure 1 below. Note that the diode position is shown correctly in the parts placement diagram in Figure 4b. *TNX to Joe Leikhim for the correction.*

The Basic program to determine the diode placement for a given frequency has a typo in line 9000 ("0101" was entered twice instead of "0110").

It should read: 9000 DATA "0000","0001","0010","0011","0100","0101","0110","0111". As a result, the values shown in the accompanying sidebar entitled "Some Common QRP Frequencies for the TW-1" are in error and should be recalculated with the updated Basic program. *TNX to Jean-Claude Abrazit for the correction.*

In the January 1993 issue on page 14, the wire size was omitted for the output filter toroid windings (Table 1). It's best to use #26 enameled magnet wire.

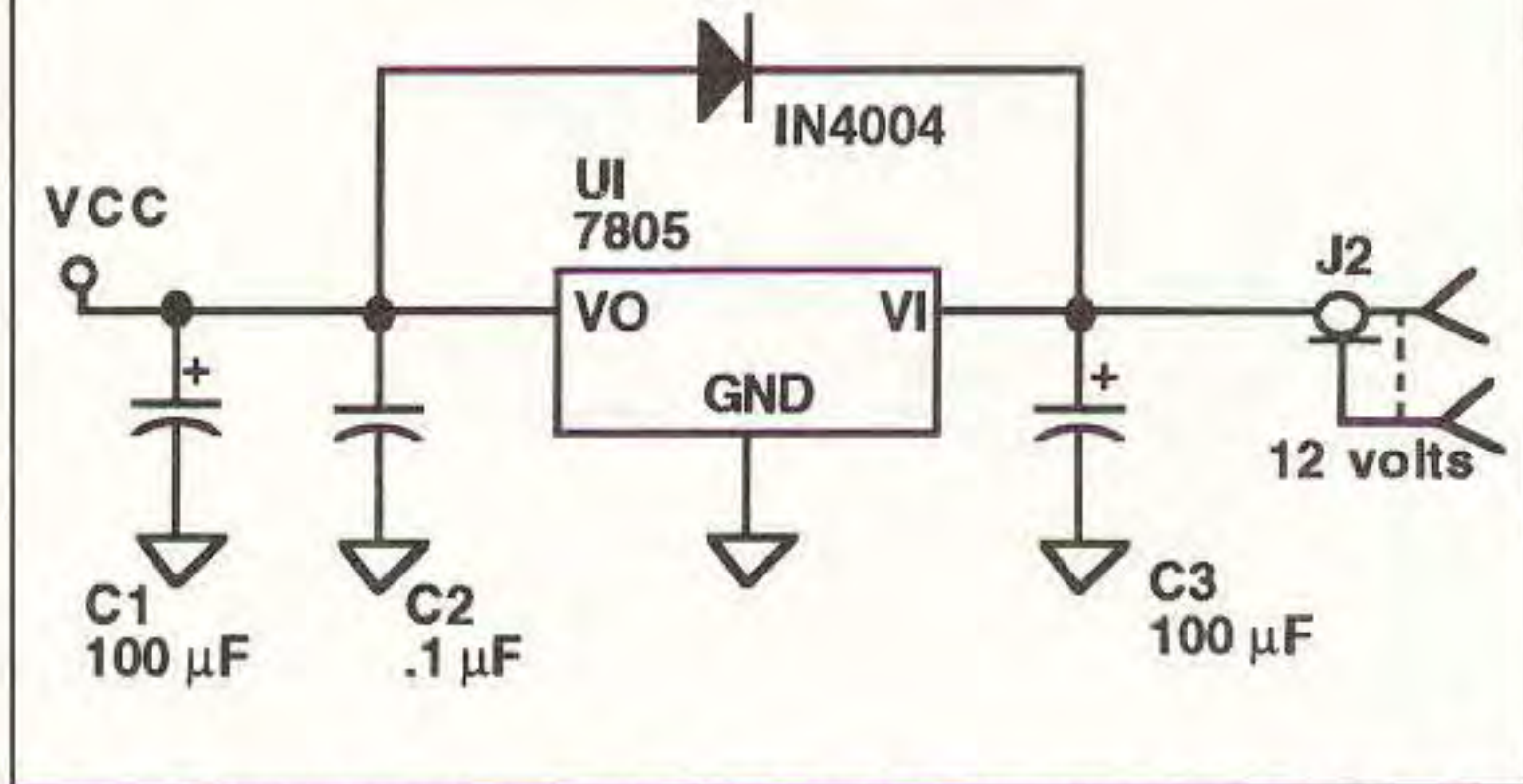


Figure 1. The corrected schematic of the Techno-Whizzy 1 voltage regulator circuit, showing the proper placement of diode D1. Refer to Figure 3 in the December 1992 issue.