

UPDATES

Number 15 on your Feedback card

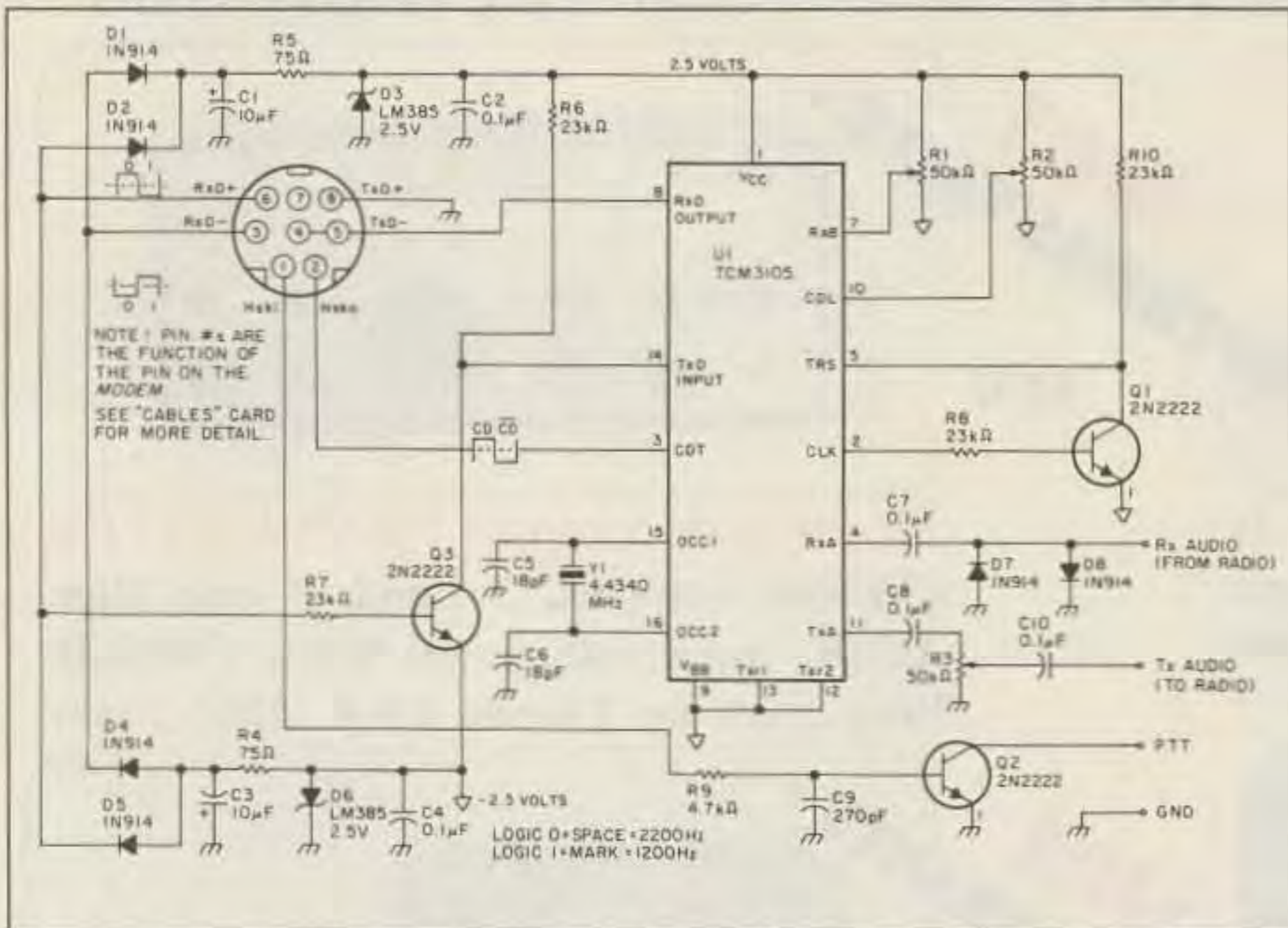


Figure 1. The corrected schematic diagram of the PacketMac Modem. Changes are to the TxD and RxD wiring, pin numbers on the connector and the -2.5 volt connections. Note, however that everything except the loopback test will work as originally wired.

"Packet on the Mac"

Refer to the above article on page 8 of the October 1992 issue. The following corrections need to be made:

1) The jumpers were not shown on the parts placement diagram for the modem. See the corrected diagram in Figure 2.

2) The bit asserted sense of the TxD+ and TxD- lines are the same as their name, not the opposite as stated in the article.

3) See Figure 1, for the corrected schematic.

Note however, that the modem will still work fine for packet as originally wired

since the NRZI encoding asserts a bit by changing state, it does not matter if the state starts high or low. The only indication that a reversal exists is that the characters received during a loopback test are the "inverts" of what was sent.

The modem can be fixed by simply

swapping the wires on the mini DIN-8 Macintosh cable where it attaches to the TxD+ and TxD- pads on the modem. You could also change the modem by swapping the wires going to the RxD+ and RxD- pads.

4) Co-authors: The section on SoftKiss was written by Aaron Wohl N3LIW. Aaron can be reached at 6393 Penn Avenue #303, Pittsburg PA 15206. The section on Savant was written by Jim Van Peurseem KEØPH.

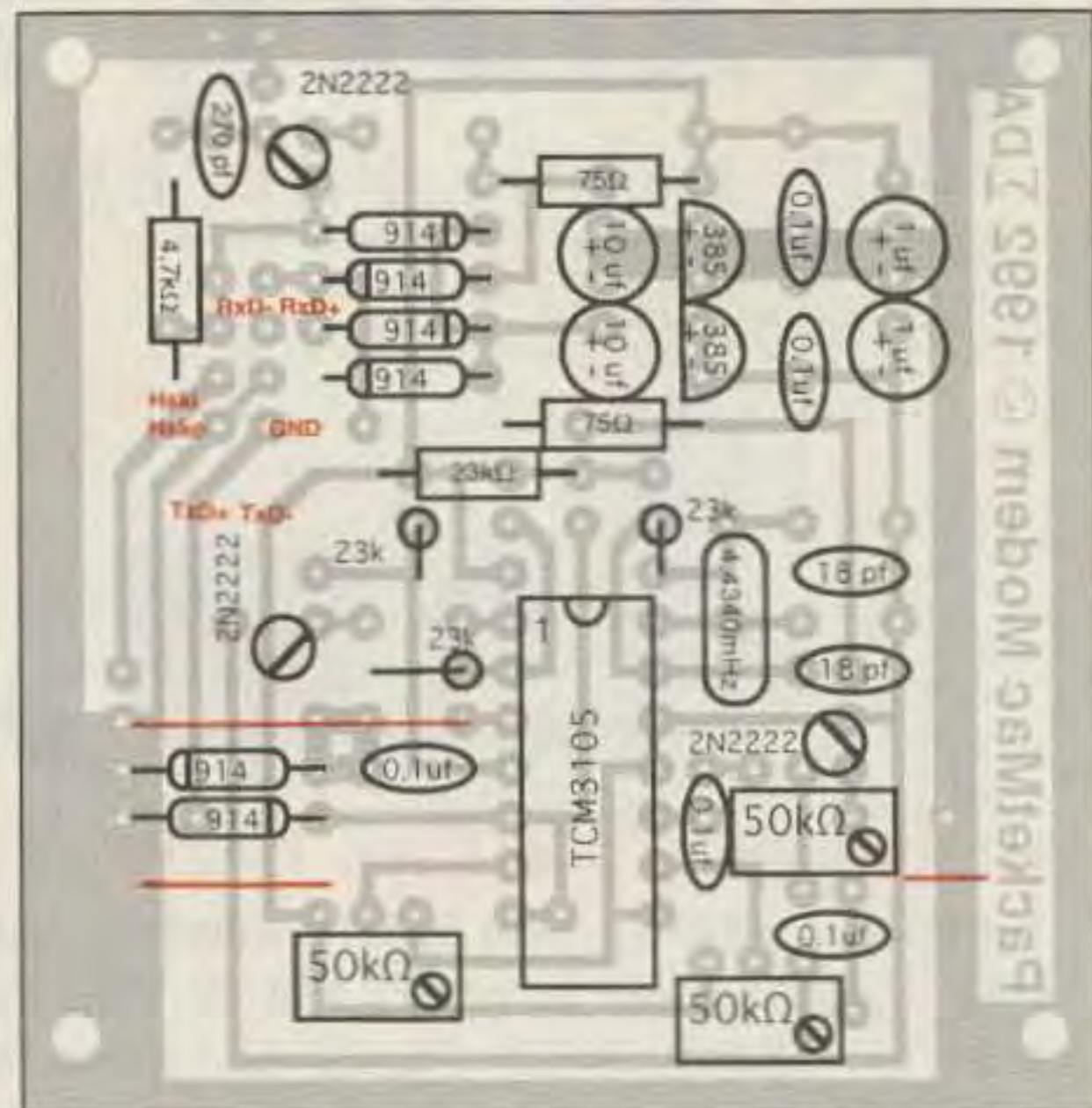


Figure 2. The corrected parts placement diagram of the PacketMac Modem showing the jumper wires as well as the new pad assignments (shown in red). Using these new pad assignments, just follow the wiring hookup chart in Figure 4 in the original article for the proper connections.