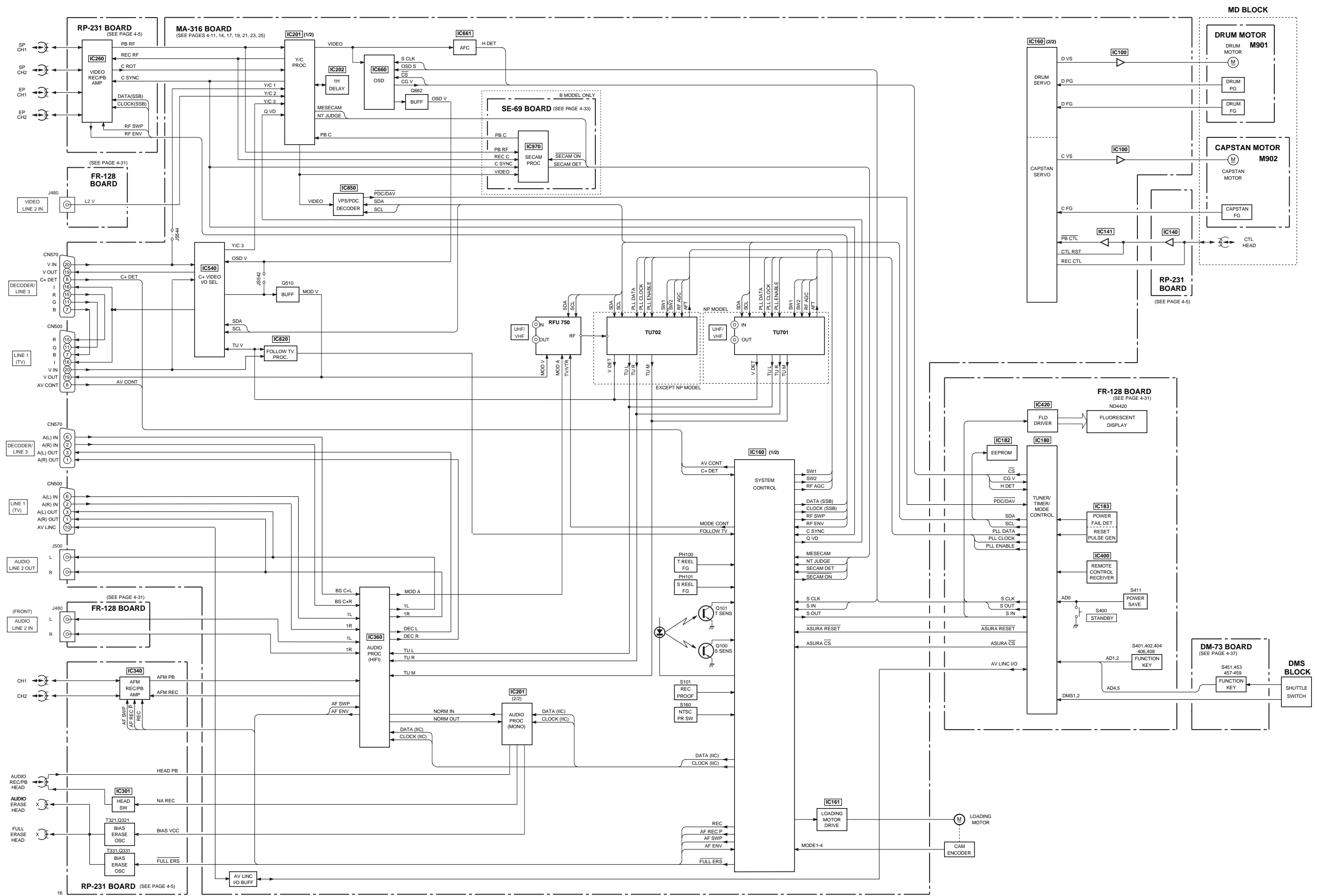


SECTION 3  
BLOCK DIAGRAMS

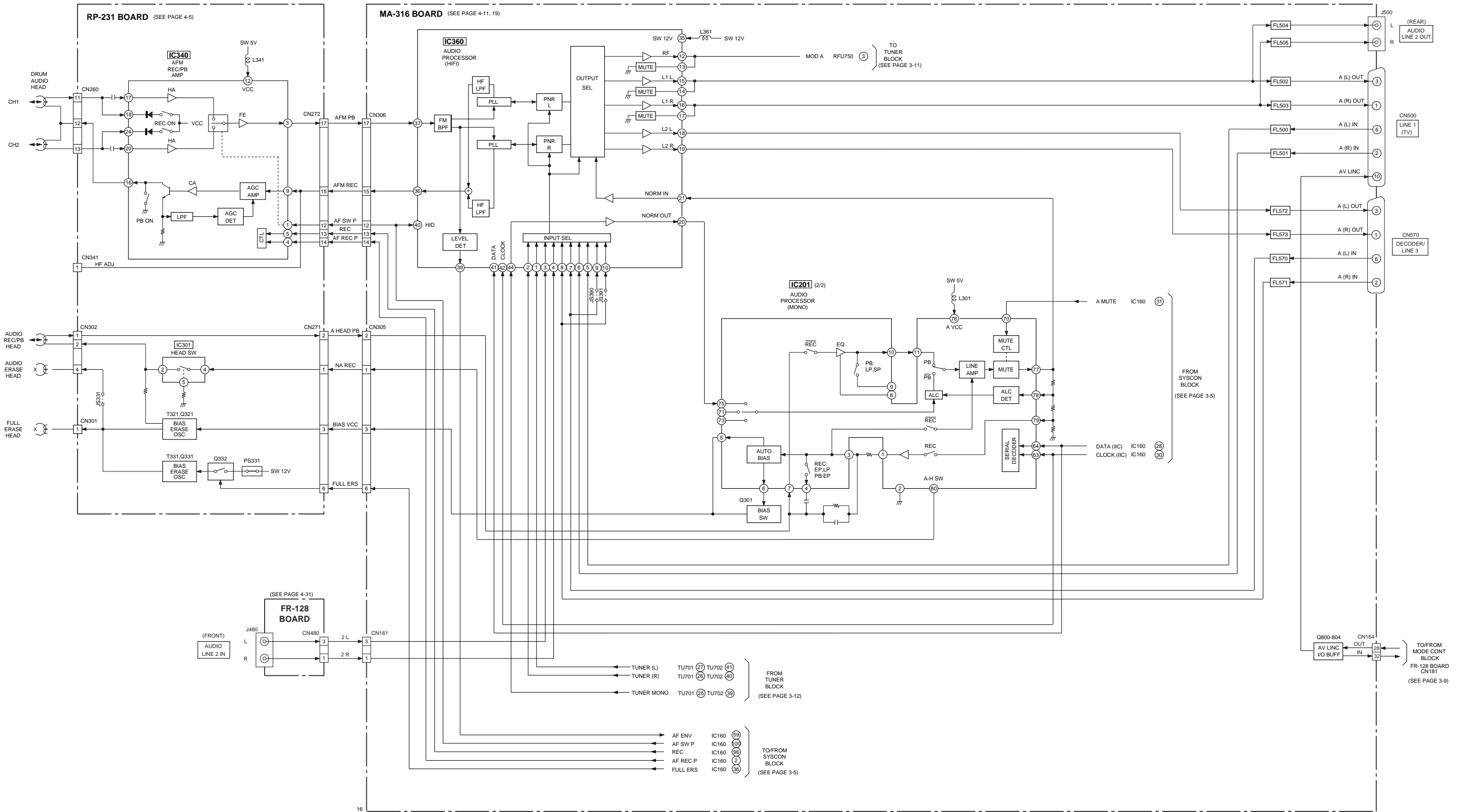
3-1. OVERALL BLOCK DIAGRAM



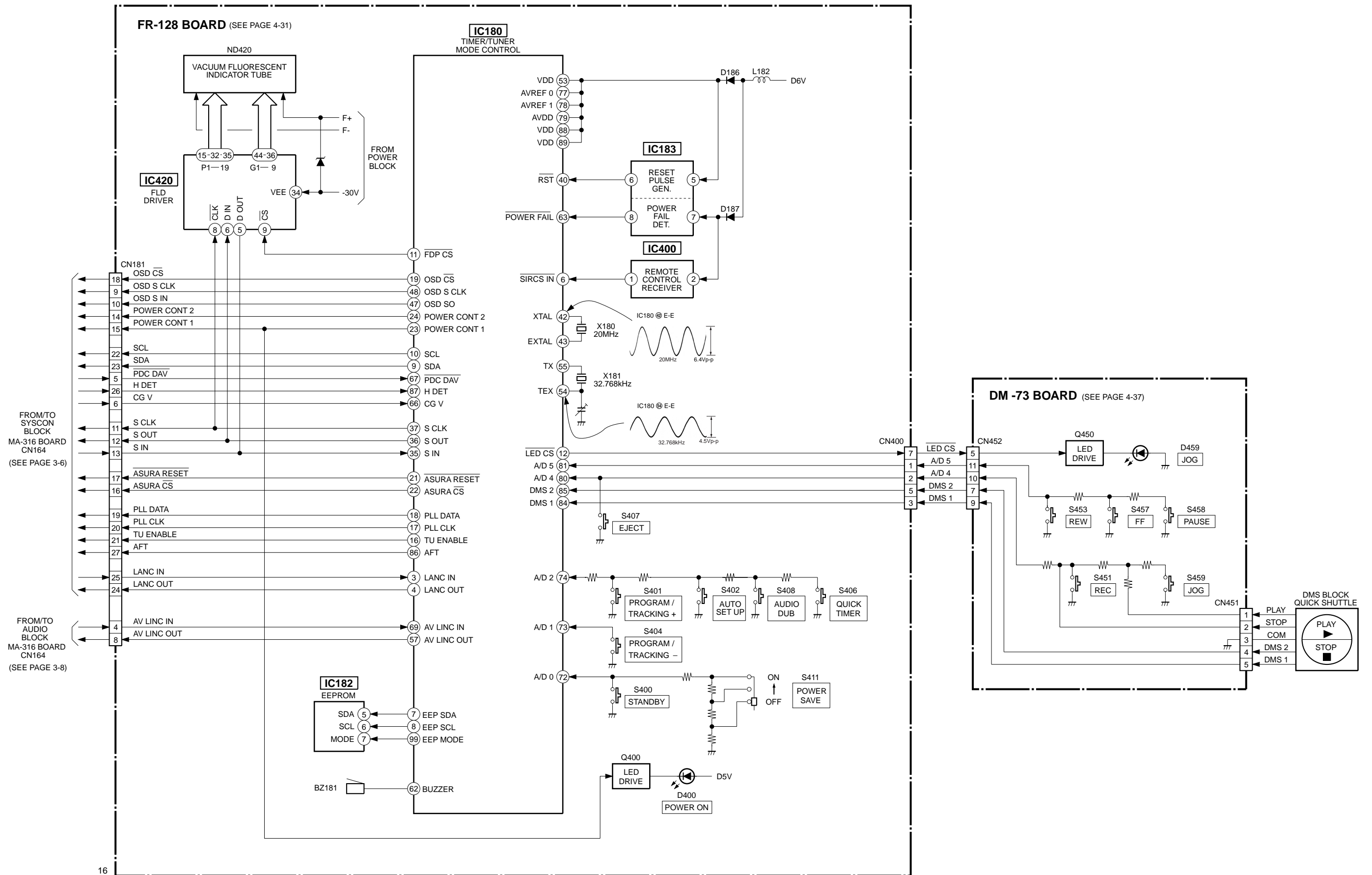




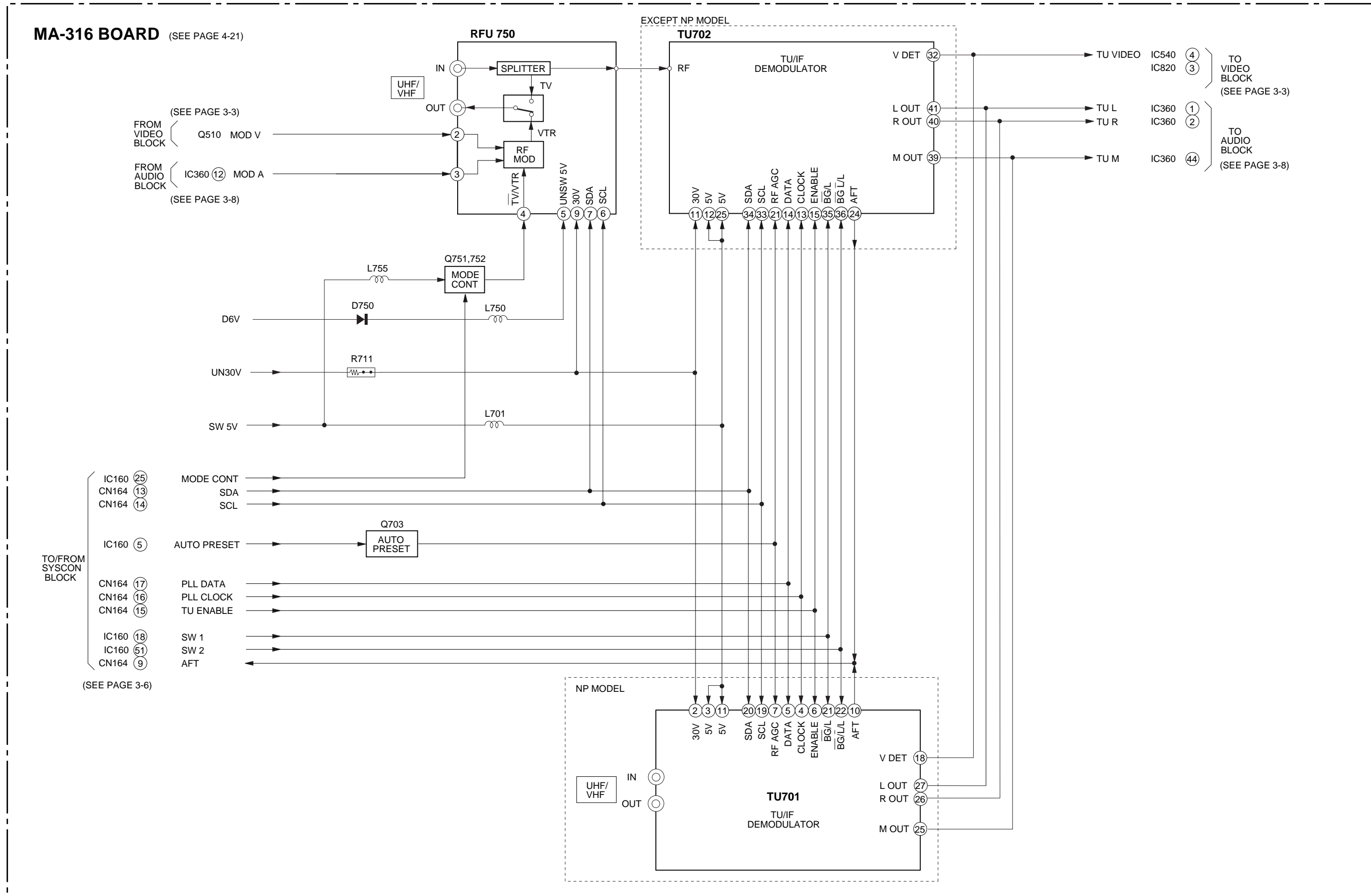
3-4. AUDIO BLOCK DIAGRAM



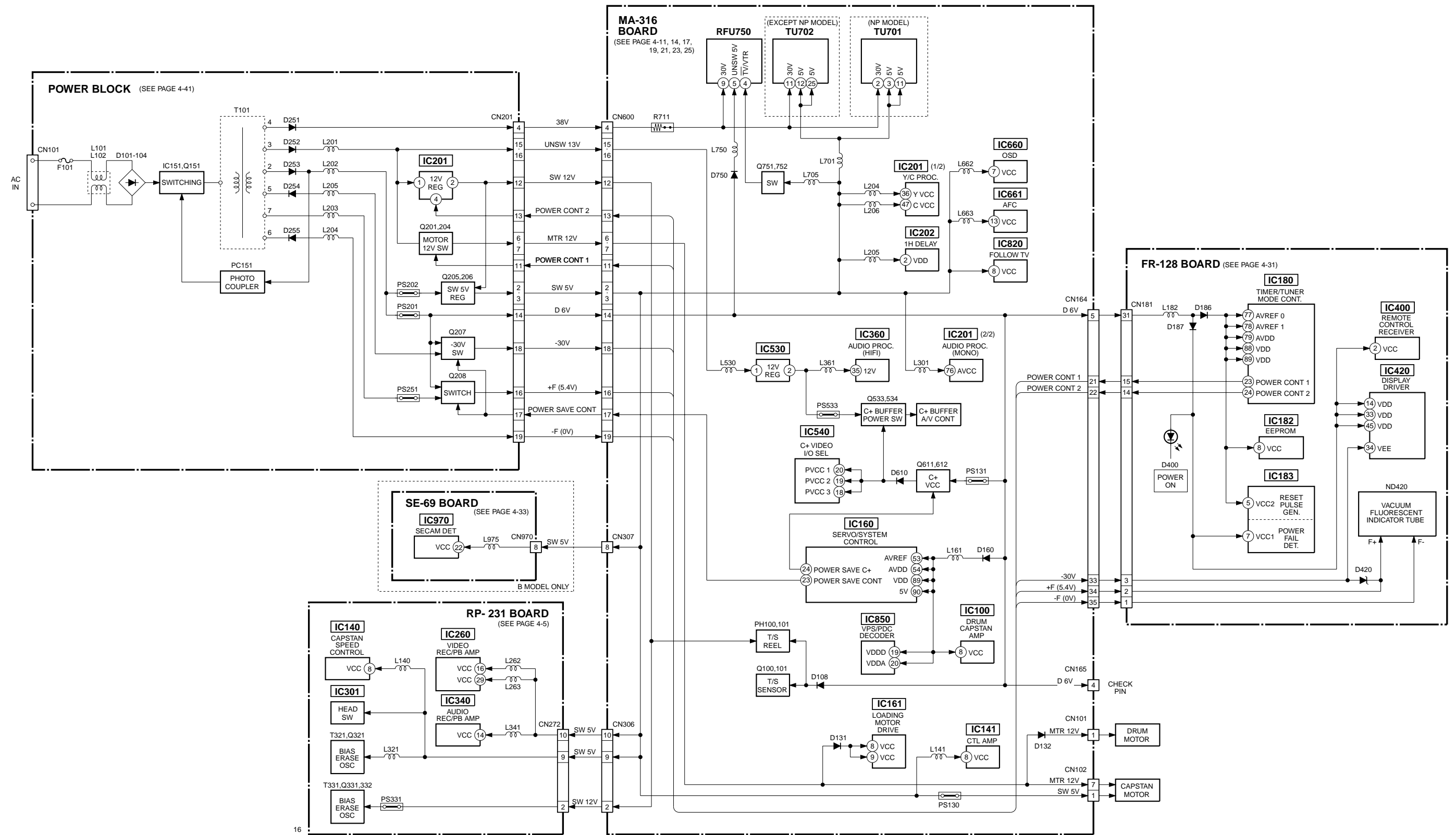
3-5. MODE CONTROL BLOCK DIAGRAM



3-6. TUNER BLOCK DIAGRAM

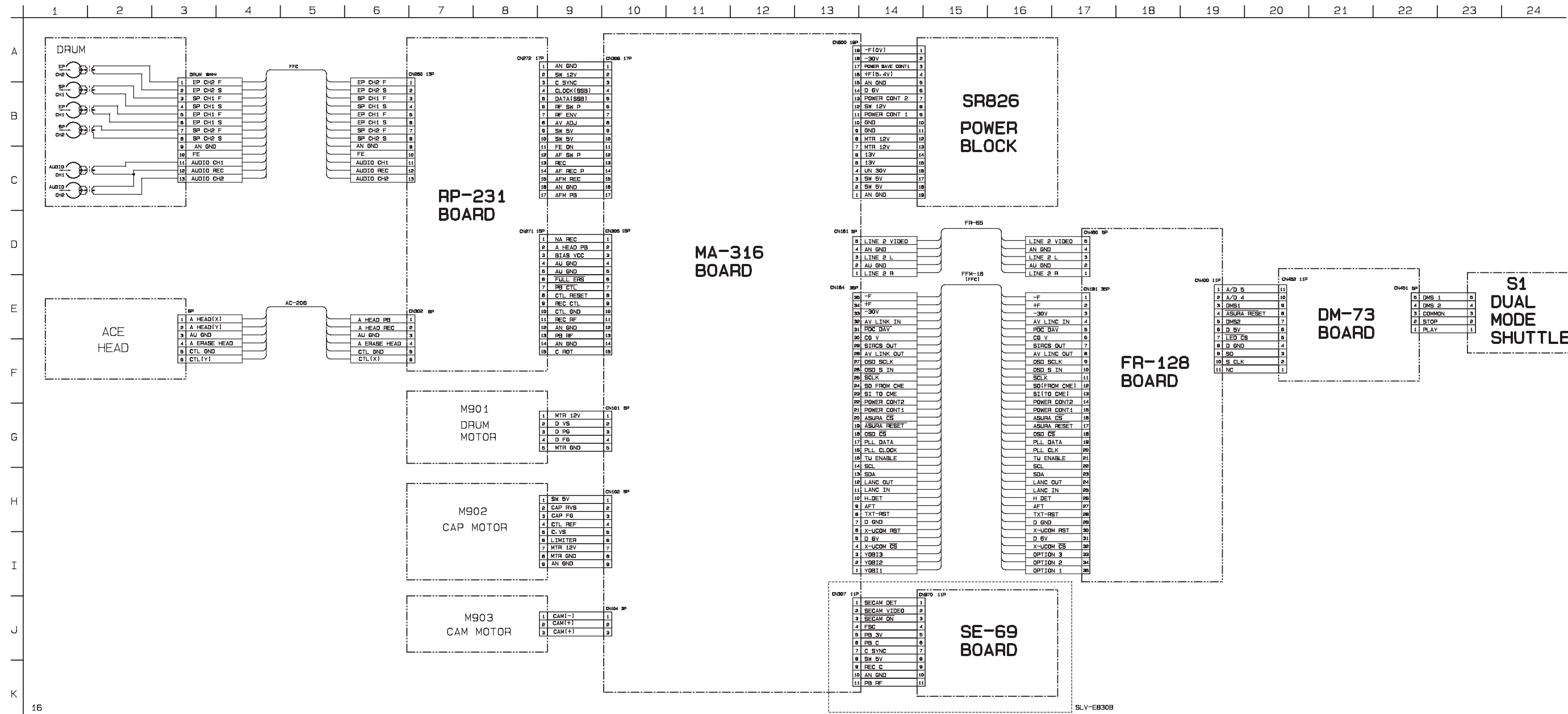


3-7. POWER SUPPLY BLOCK DIAGRAM



SECTION 4  
PRINTED WIRING BOARDS AND SCHEMATIC DIAGRAMS

4-1. FRAME SCHEMATIC DIAGRAM



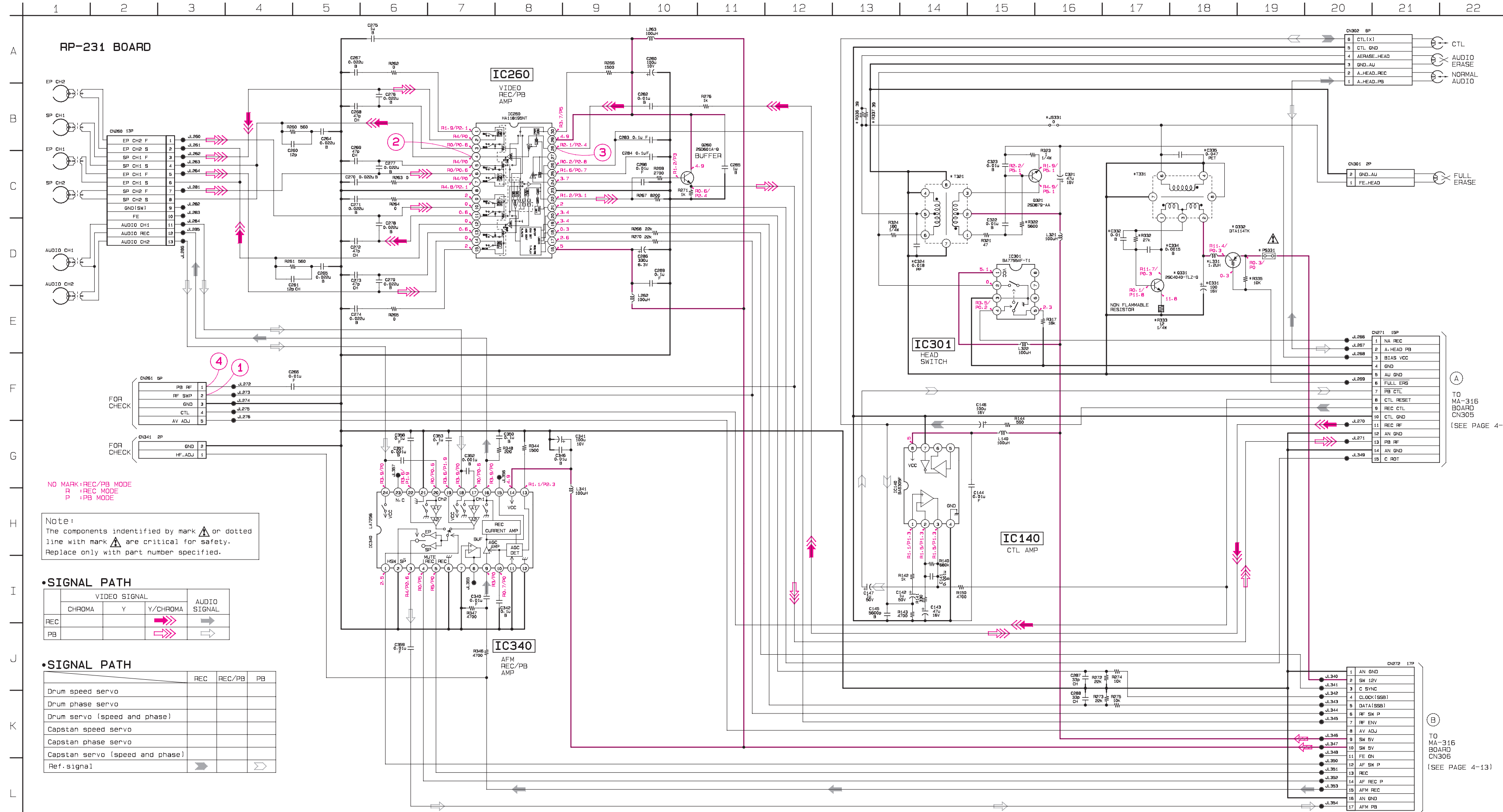
16

SLV-E830B

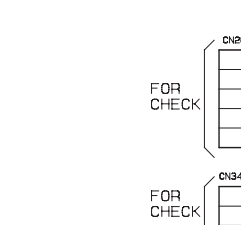
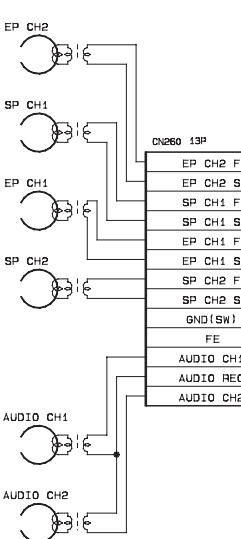


RP-231 (REC/PB AMP) SCHEMATIC DIAGRAM

— Ref. No.: RP-231 Board; 1,000 Series —



RP-231 BOARD



NO MARK: REC/PB MODE  
R : REC MODE  
P : PB MODE

Note:  
The components identified by mark or dotted line with mark are critical for safety.  
Replace only with part number specified.

• SIGNAL PATH

	VIDEO SIGNAL			AUDIO SIGNAL
	CHROMA	Y	Y/CHROMA	
REC				
PB				

• SIGNAL PATH

	REC	REC/PB	PB
Drum speed servo			
Drum phase servo			
Drum servo (speed and phase)			
Capstan speed servo			
Capstan phase servo			
Capstan servo (speed and phase)			
Ref. signal			

**THIS NOTE IS COMMON FOR PRINTED WIRING BOARDS AND SCHEMATIC DIAGRAMS.**  
(In addition to this, the necessary note is printed in each block.)

- For printed wiring boards.
- : Pattern from the side which enables seeing.

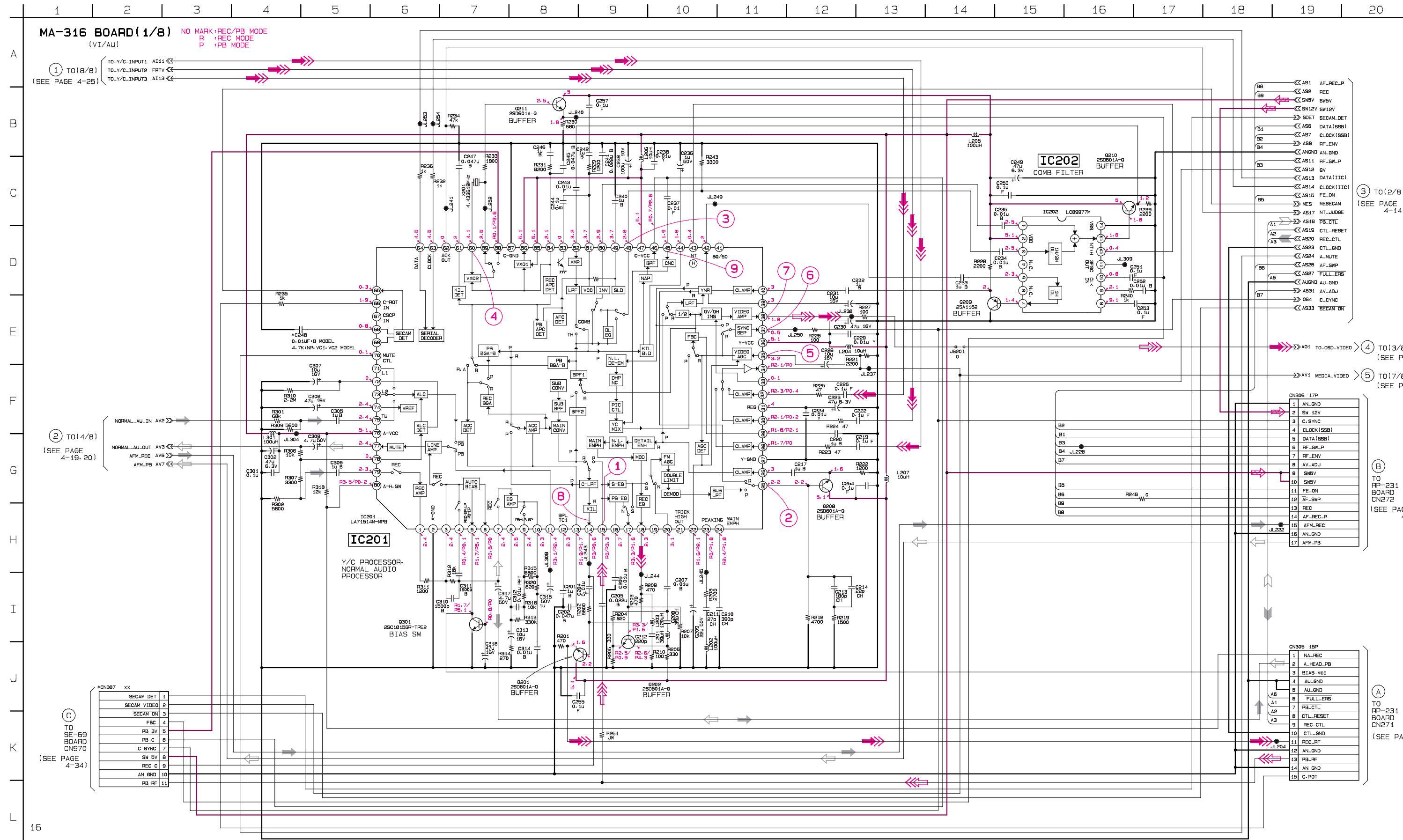
**Caution :**  
Pattern face side: Parts on the pattern face side (Conductor Side) seen from the pattern face are indicated.  
Pattern face side: parts on the parts face side seen from the parts face are indicated.

- For schematic diagrams.
- Caution when replacing chip parts. New parts must be attached after removal of chip. Be careful not to heat the minus side of tantalum capacitor, because it is damaged by the heat.
- All resistor are in ohms, 1/4W unless otherwise noted. Chip resistor are 1/10W unless otherwise noted. kΩ: 1000Ω, MΩ: 1000kΩ.
- All capacitors are in μF unless otherwise noted. pF: μF. 50V or less are not indicated except for electrolytics and tantalums.
- : panel designation.
- : internal component.
- : B+ Line. \*
- : B- Line. \*
- : IN/OUT direction of (+,-) B LINE. \*
- Circled numbers refer to waveforms. \*
- Readings are taken with a PAL color-bar signal input.
- Voltage are dc between ground and measurement points.\*
- Readings are taken with a digital multimeter (DC10MΩ)\*
- Voltage variations may be noted due to normal production tolerances.\*

When indicating parts by reference number, please include the board name.

- \* : indicated by the color red.

MA-316 (VIDEO, NORMAL AUDIO) SCHEMATIC DIAGRAM  
 — Ref. No.: MA-316 Board; 2,000 Series —

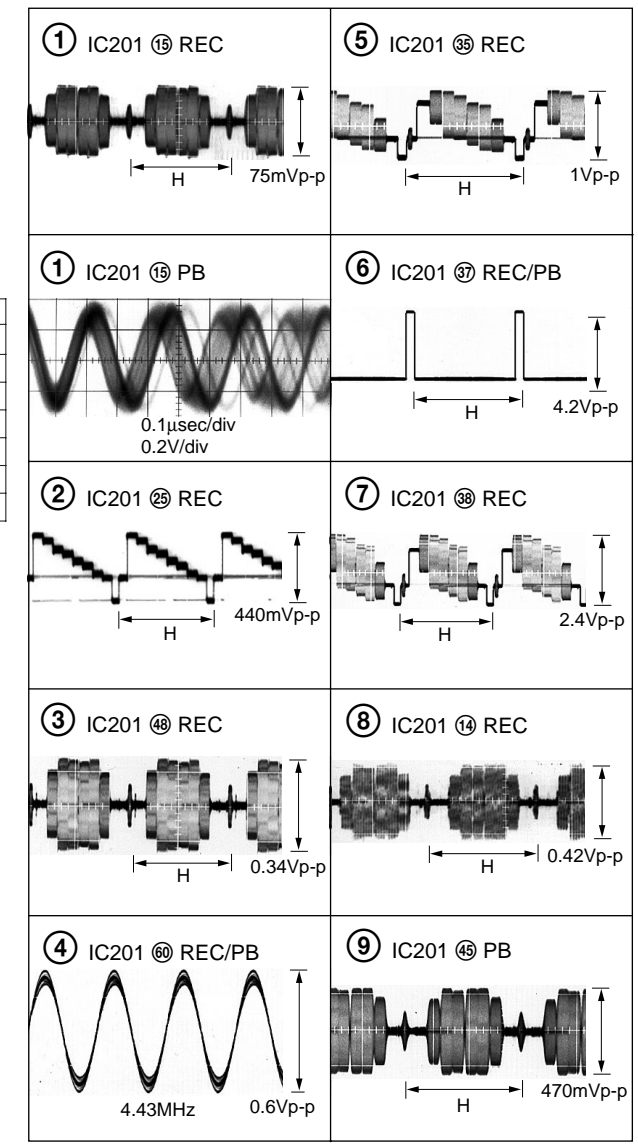


• SIGNAL PATH

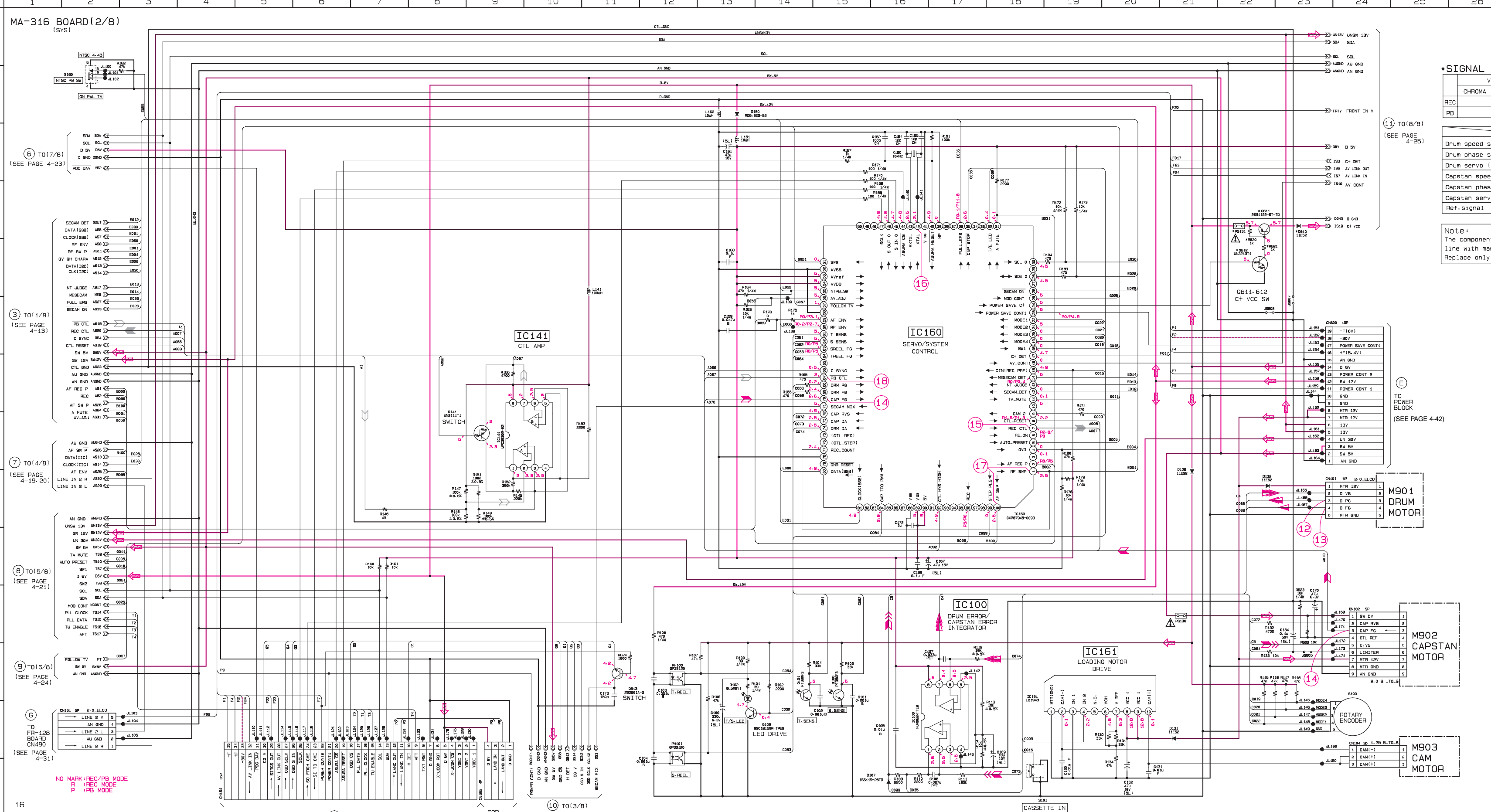
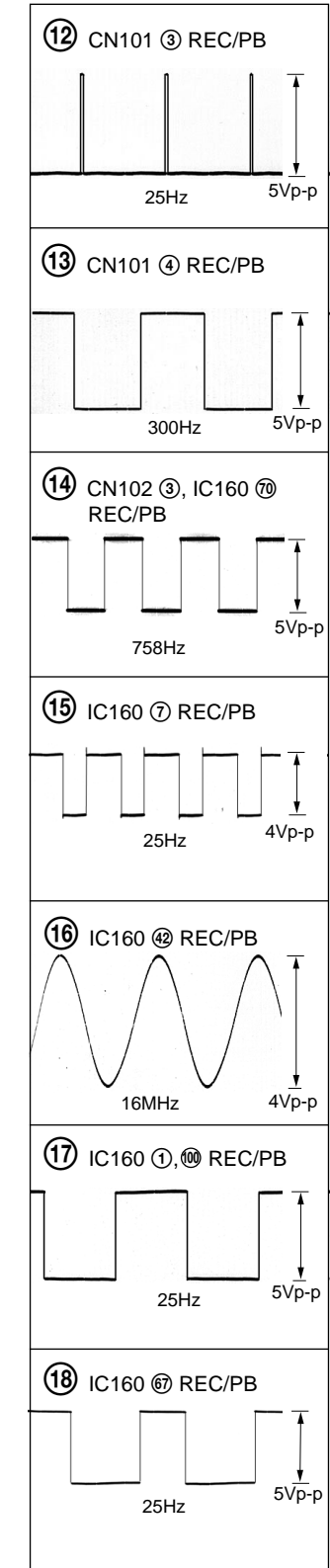
	VIDEO SIGNAL		AUDIO SIGNAL
	CHROMA	Y/CHROMA	
REC		→	→
PB		→	→

	REC	REC/PB	PB
Drum speed servo			
Drum phase servo			
Drum servo (speed and phase)			
Capstan speed servo			
Capstan phase servo			
Capstan servo (speed and phase)			
Ref. signal			

MA-316 BOARD (1/3)



MA-316 BOARD (2/3)



• SIGNAL PATH

	VIDEO SIGNAL		AUDIO SIGNAL
	CHROMA	Y	
REC			→
PB			→

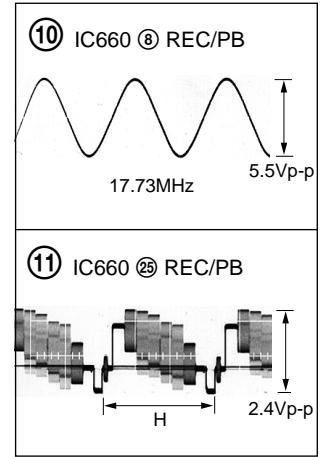
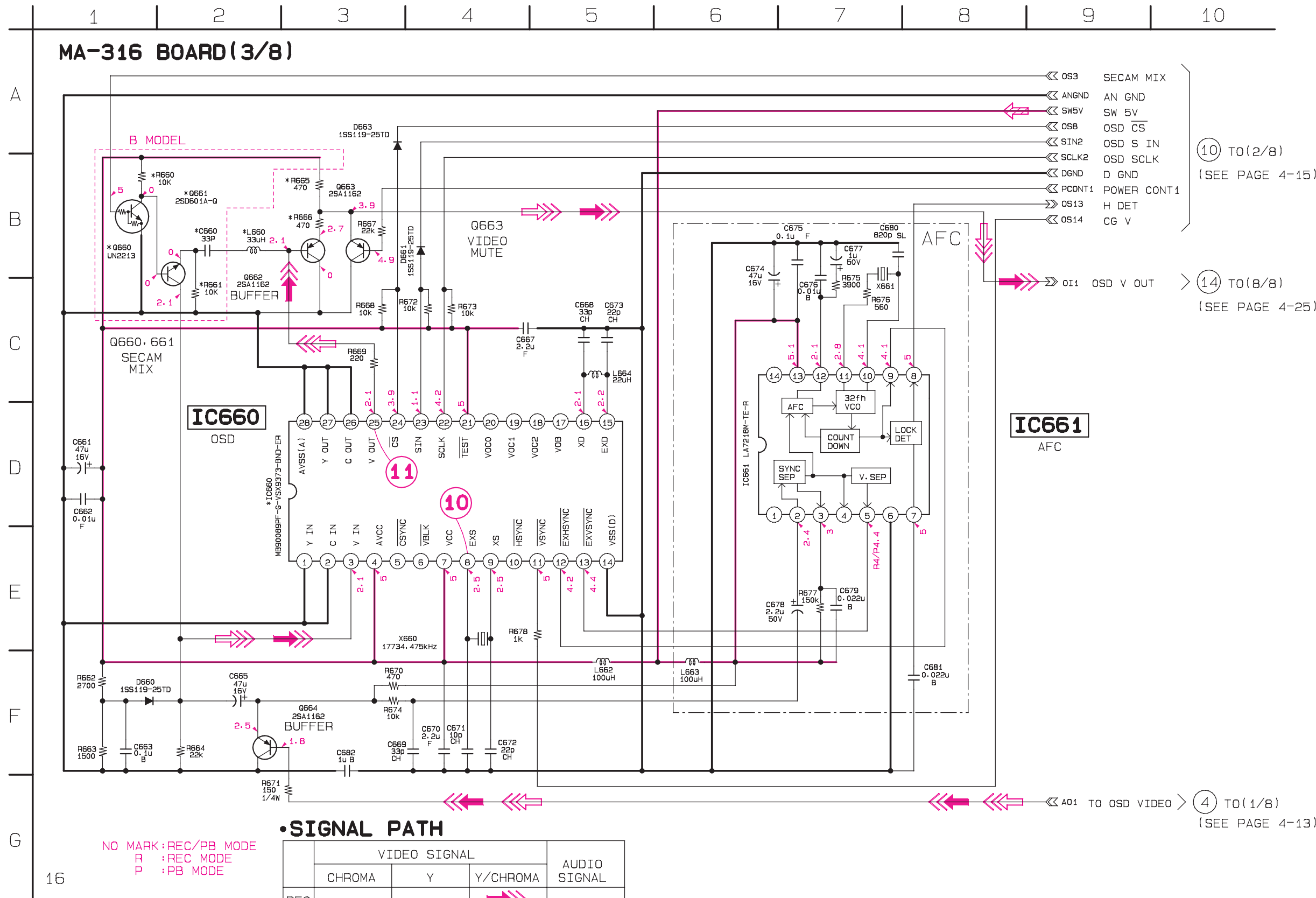
	REC	REC/PB	PB
Drum speed servo		▶	
Drum phase servo		▶	
Drum servo (speed and phase)		▶	
Capstan speed servo		▶	
Capstan phase servo		▶	
Capstan servo (speed and phase)		▶	
Ref. signal	▶		▶

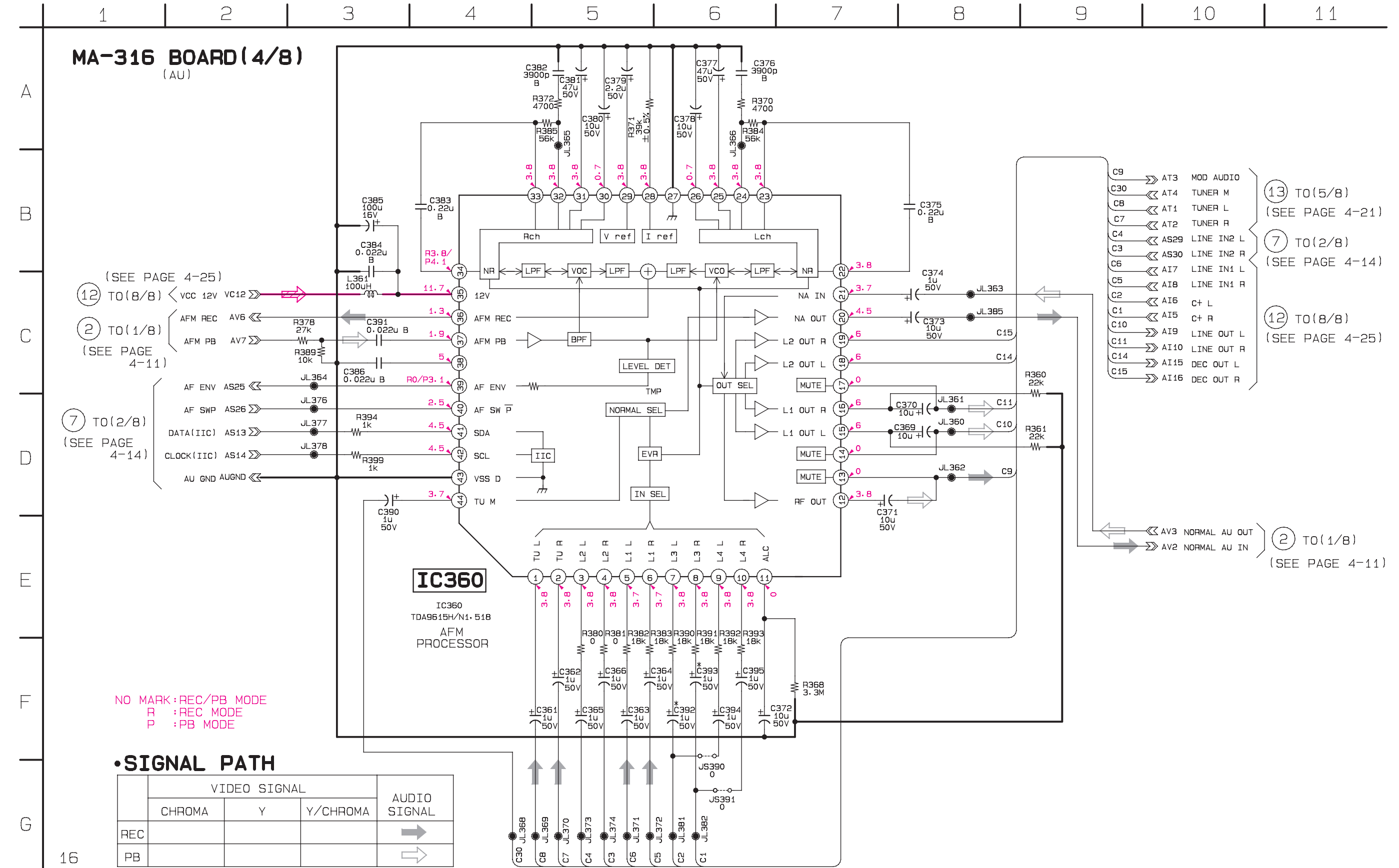
Note:  
The components identified by mark **▲** or dotted line with mark **▲** are critical for safety.  
Replace only with part number specified.

MA-316 (ON SCREEN DISPLAY) SCHEMATIC DIAGRAM  
 — Ref. No.: MA-316 Board; 2,000 Series —

• See page 4-9 for MA-316 BOARD printed wiring board.

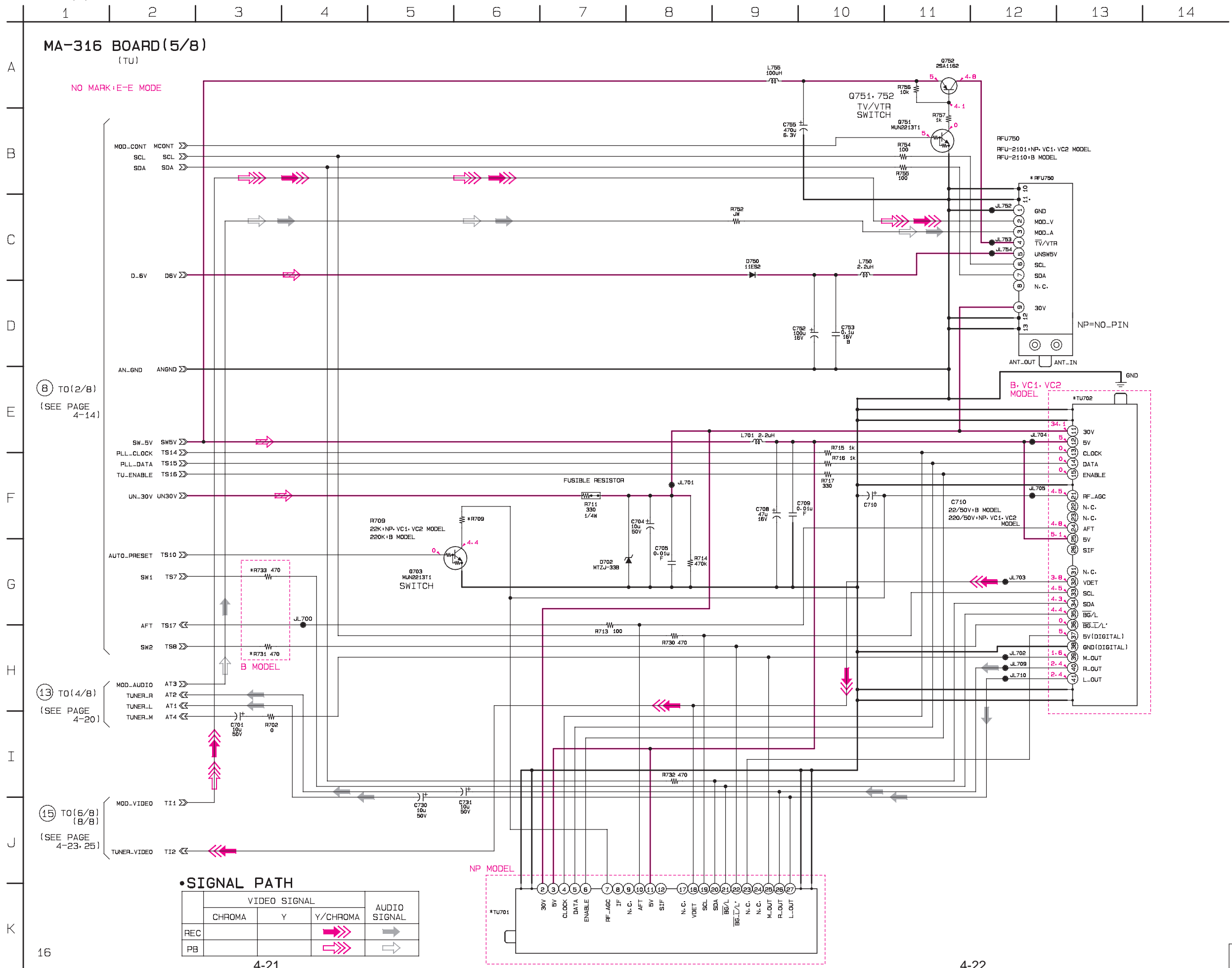
MA-316 BOARD (3/3)

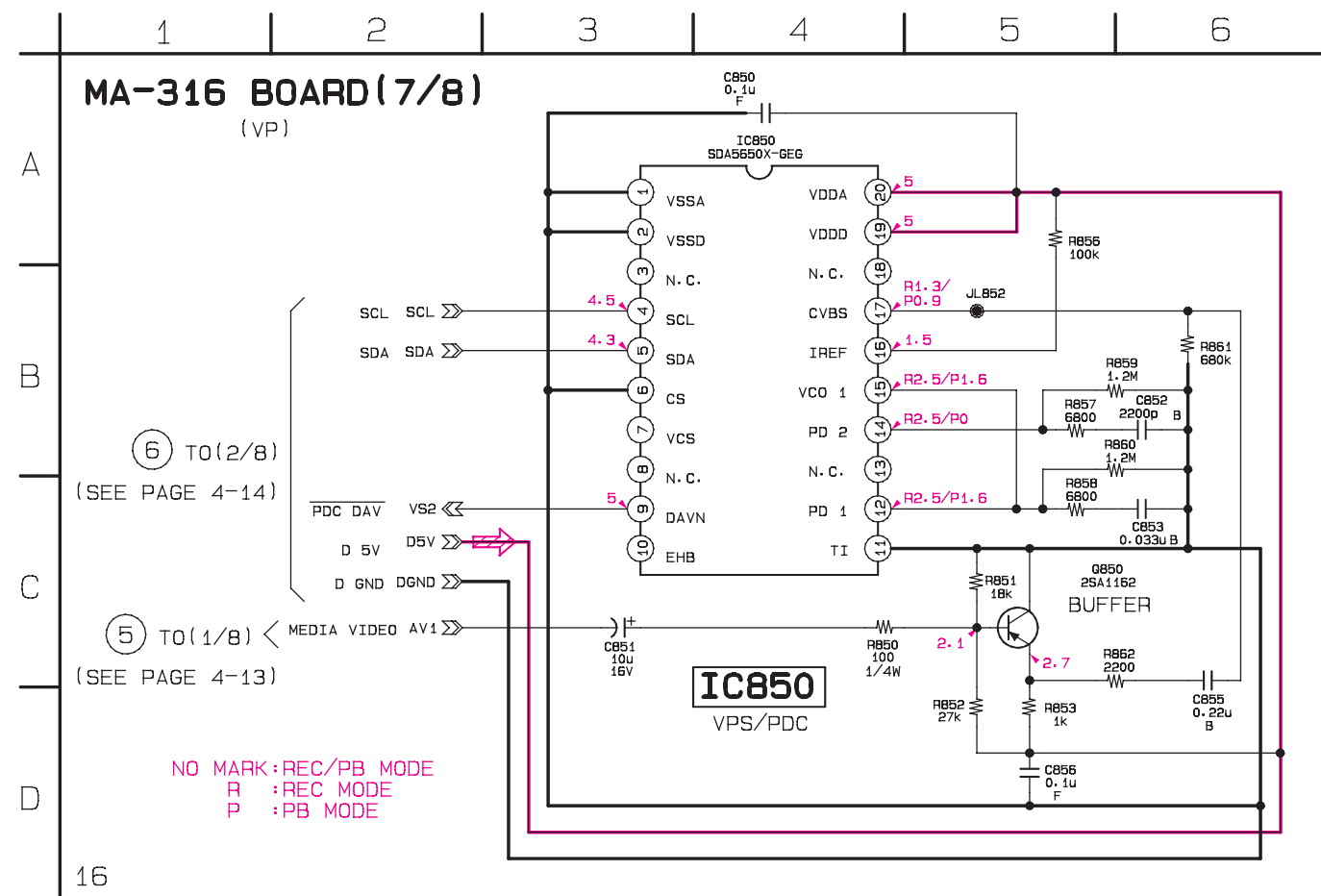
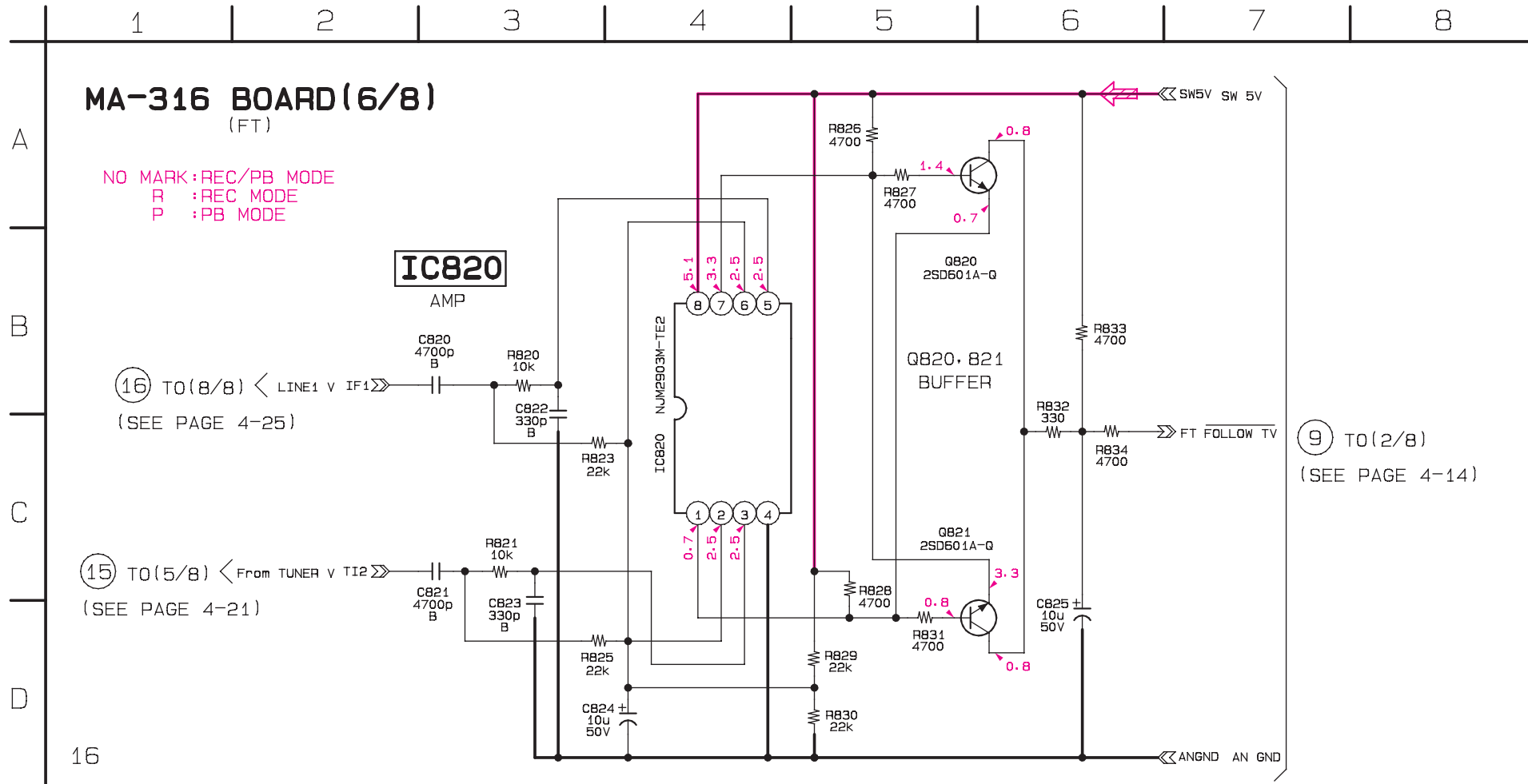




MA-316 (TUNER) SCHEMATIC DIAGRAM  
— Ref. No.: MA-316 Board; 2,000 Series —

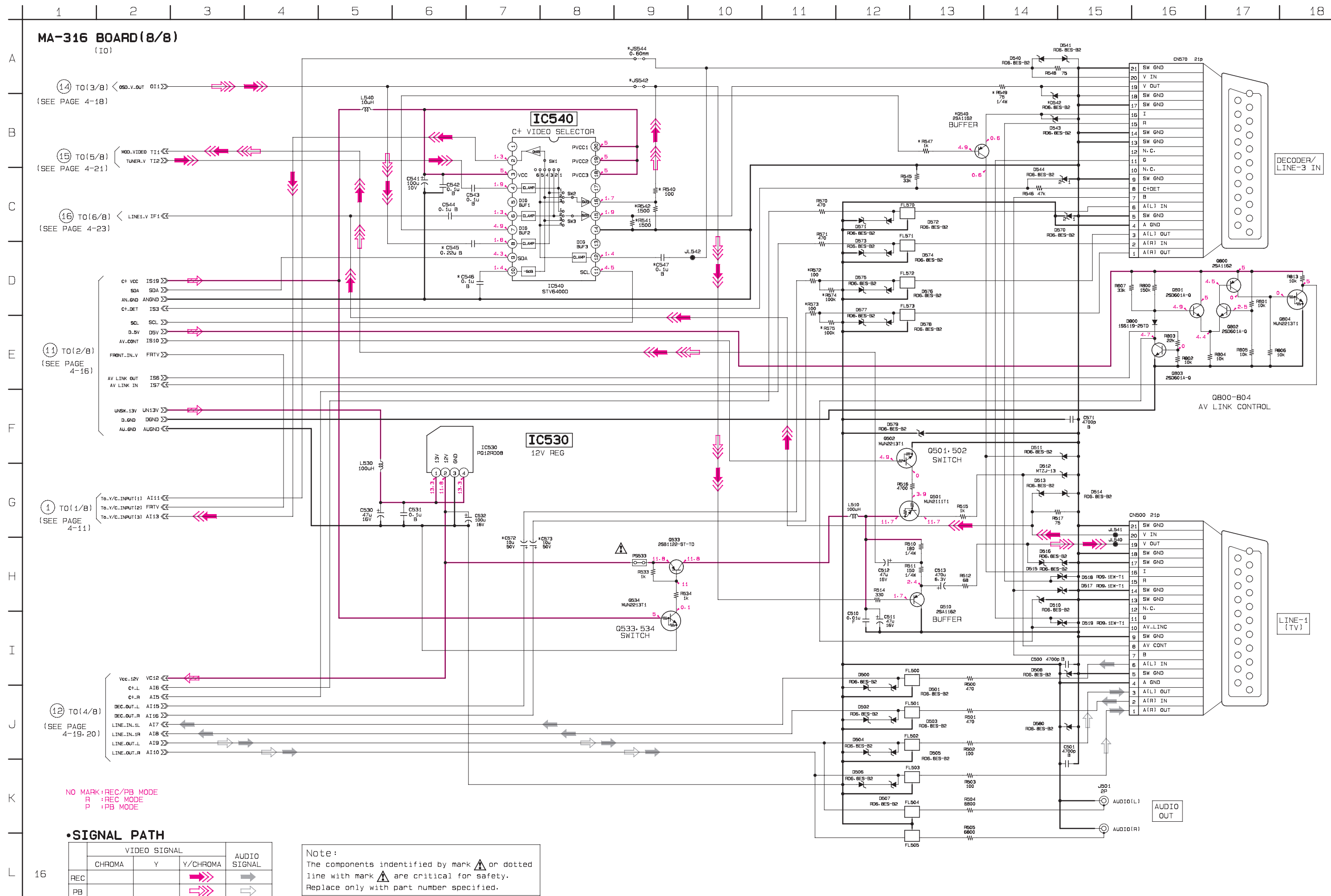
• See page 4-9 for MA-316 BOARD printed wiring board.





MA-316 (I/O) SCHEMATIC DIAGRAM  
— Ref. No.: MA-316 Board; 2,000 Series —

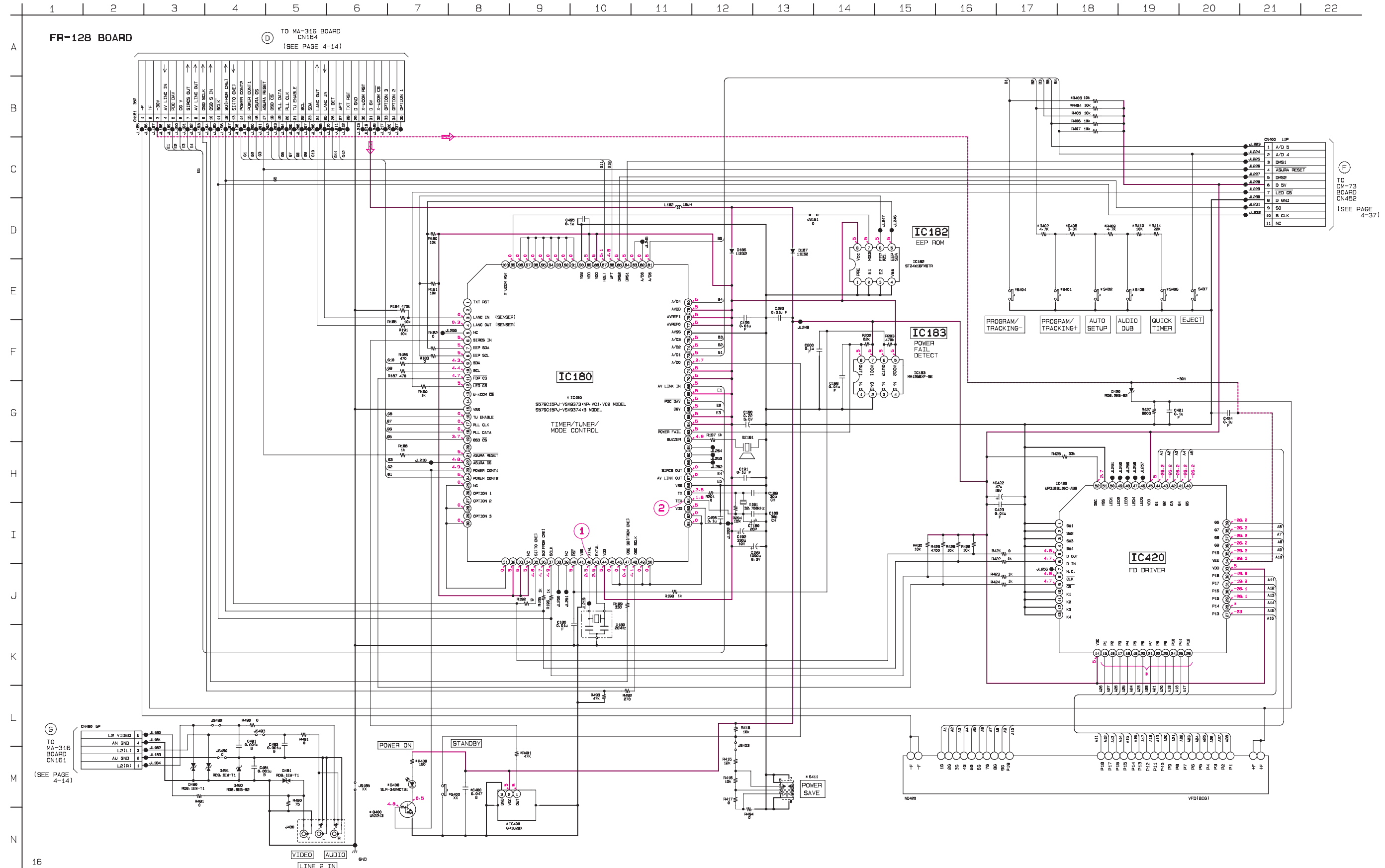
• See page 4-9 for MA-316 BOARD printed wiring board.





FR-128 (MODE CONTROL) SCHEMATIC DIAGRAM

— Ref. No.: FR-128 Board; 3,000 Series —

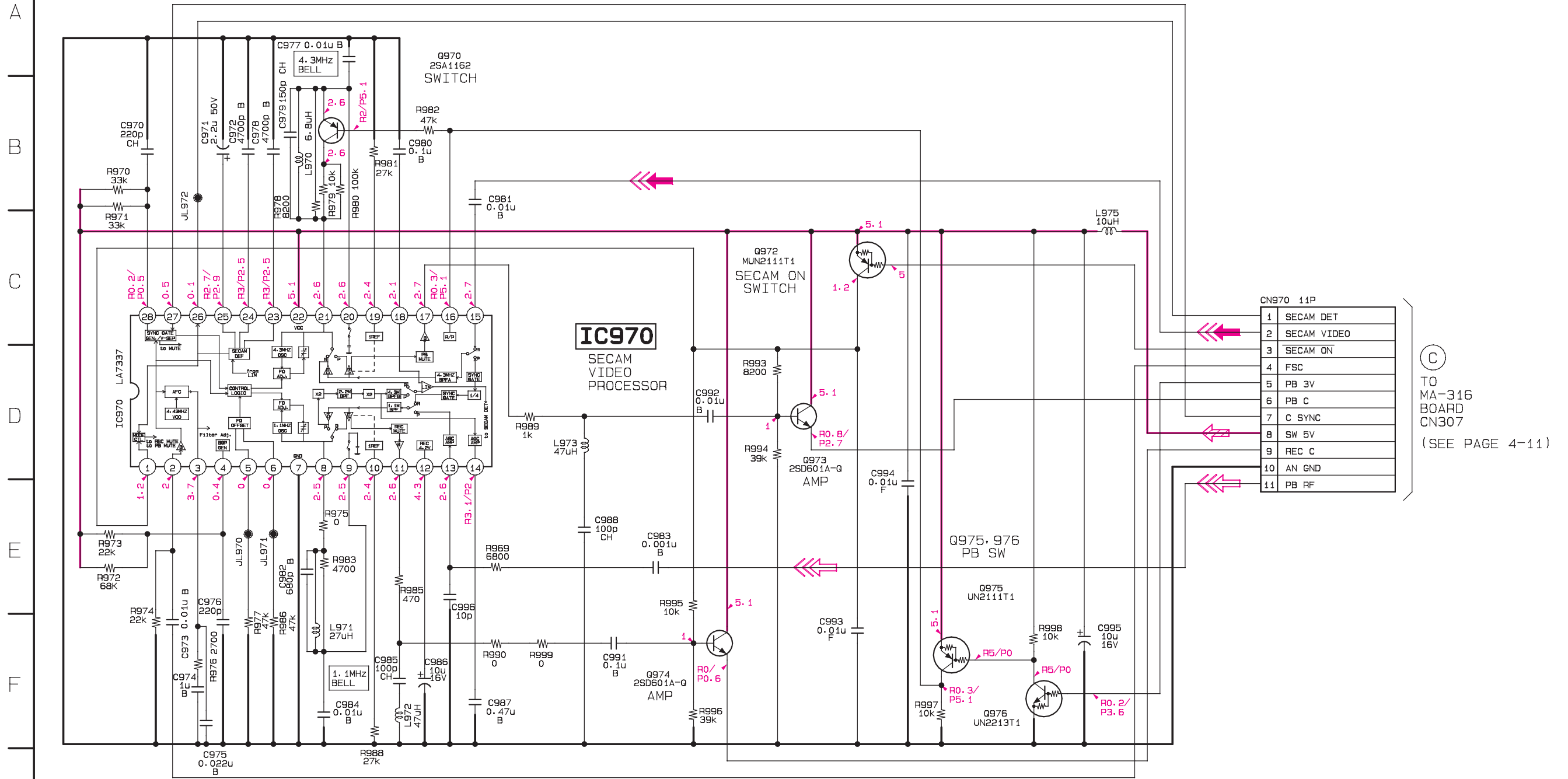


SE-69 (SECAM VIDEO SIGNAL PROCESS) SCHEMATIC DIAGRAM

— Ref. No.: SE-69 Board; 2,000 Series —

1 2 3 4 5 6 7 8 9 10 11

SE-69 BOARD (SLV-E830B)



CN970 11P	
1	SECAM DET
2	SECAM VIDEO
3	SECAM ON
4	FSC
5	PB 3V
6	PB C
7	C SYNC
8	SW 5V
9	REC C
10	AN GND
11	PB RF

(C)  
TO  
MA-316  
BOARD  
CN307  
(SEE PAGE 4-11)

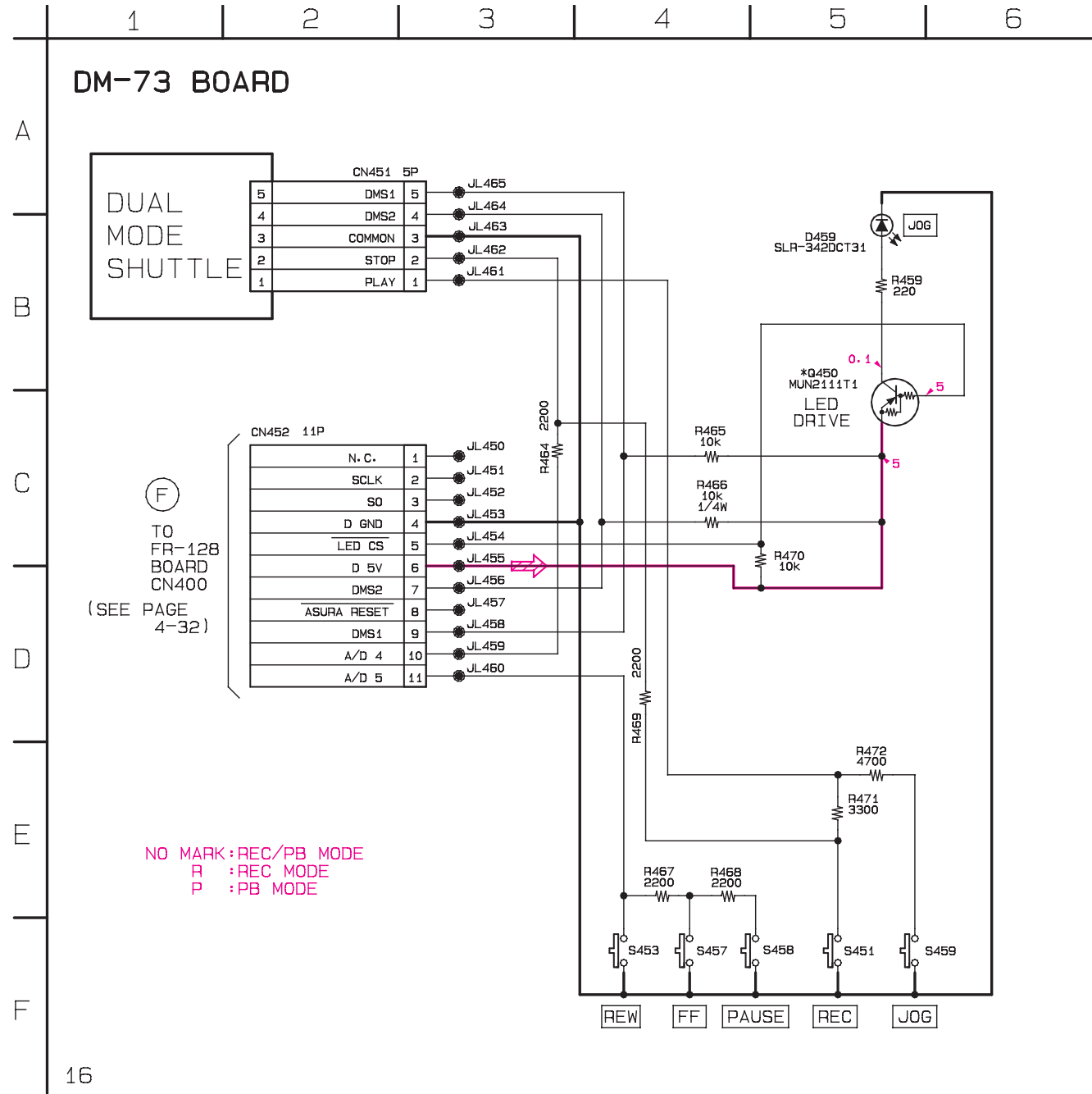
NO MARK: REC/PB MODE  
R : REC MODE  
P : PB MODE

•SIGNAL PATH

	VIDEO SIGNAL			AUDIO SIGNAL
	CHROMA	Y	Y/CHROMA	
REC			➡➡➡	
PB			➡➡➡	

DM-73 (OPERATION SWITCHES) SCHEMATIC DIAGRAM

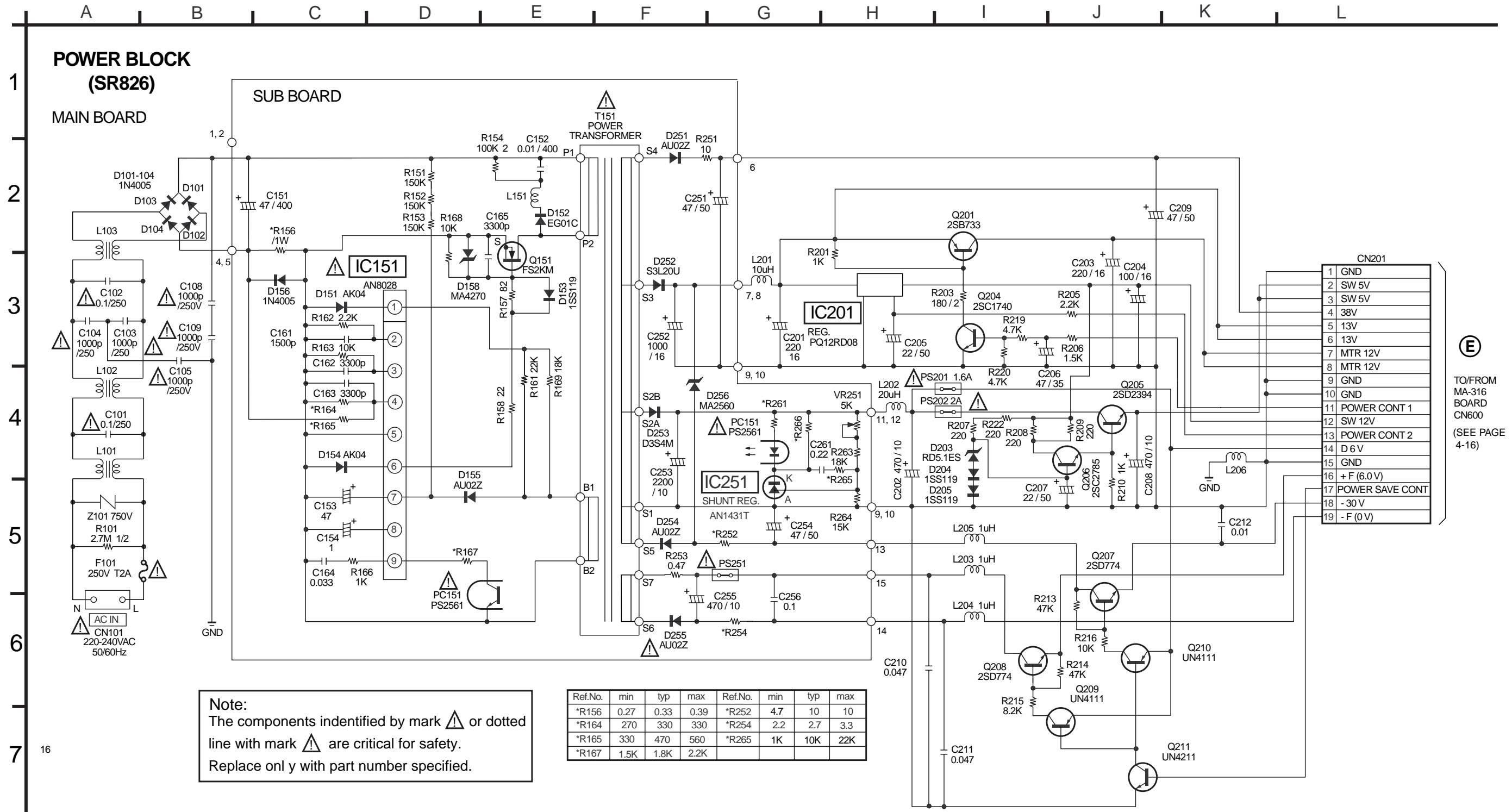
— Ref. No.: DM-73 Board; 2,000 Series —



16

POWER BLOCK SR826 (SWITCHING REGULATOR) SCHEMATIC DIAGRAM

— Ref. No. SR826 Board; 9,000 Series —



**Note:**  
The components identified by mark or dotted line with mark are critical for safety. Replace only with part number specified.

Ref.No.	min	typ	max	Ref.No.	min	typ	max
*R156	0.27	0.33	0.39	*R252	4.7	10	10
*R164	270	330	330	*R254	2.2	2.7	3.3
*R165	330	470	560	*R265	1K	10K	22K
*R167	1.5K	1.8K	2.2K				

CN201	
1	GND
2	SW 5V
3	SW 5V
4	38V
5	13V
6	13V
7	MTR 12V
8	MTR 12V
9	GND
10	GND
11	POWER CONT 1
12	SW 12V
13	POWER CONT 2
14	D 6V
15	GND
16	+ F (6.0V)
17	POWER SAVE CONT
18	- 30V
19	- F (0V)

**(E)**  
TO/FROM  
MA-316  
BOARD  
CN600  
(SEE PAGE  
4-16)