



This information is up-to-date as of January 1989

54-7584-01V Issue 1

# ELECTROHOME

PRODUCT NAME

MODEL NUMBER

ECM1210U . . . 38-D201LA-OP

ECM1211U . . . 38-D201LA-PP

HIGH RESOLUTION COLOR  
MONITORS

For Service Manuals  
contact  
**MAURITRON SERVICES**  
8 Cherry-Tree Road, Chinnor  
Oxfordshire, OX9 4QY  
Tel (01844) 351694  
Fax (01844) 352554

SERVICE & INSTRUCTION MANUAL

# TROUBLE SHOOTING

## FAULT

## DIAGNOSIS

No Raster

No Raster

See p. 32

No Picture

No Picture

See p. 34

Raster fault

Only a horizontal line  
V-size narrow

Vertical circuit

See p. 35

Only a vertical line  
Raster wide or narrow

Horizontal circuit

See p. 36

Bad Synchronization

V - Sync

Vertical  
Synchronization

See p. 35

H - Sync

Horizontal  
Synchronization

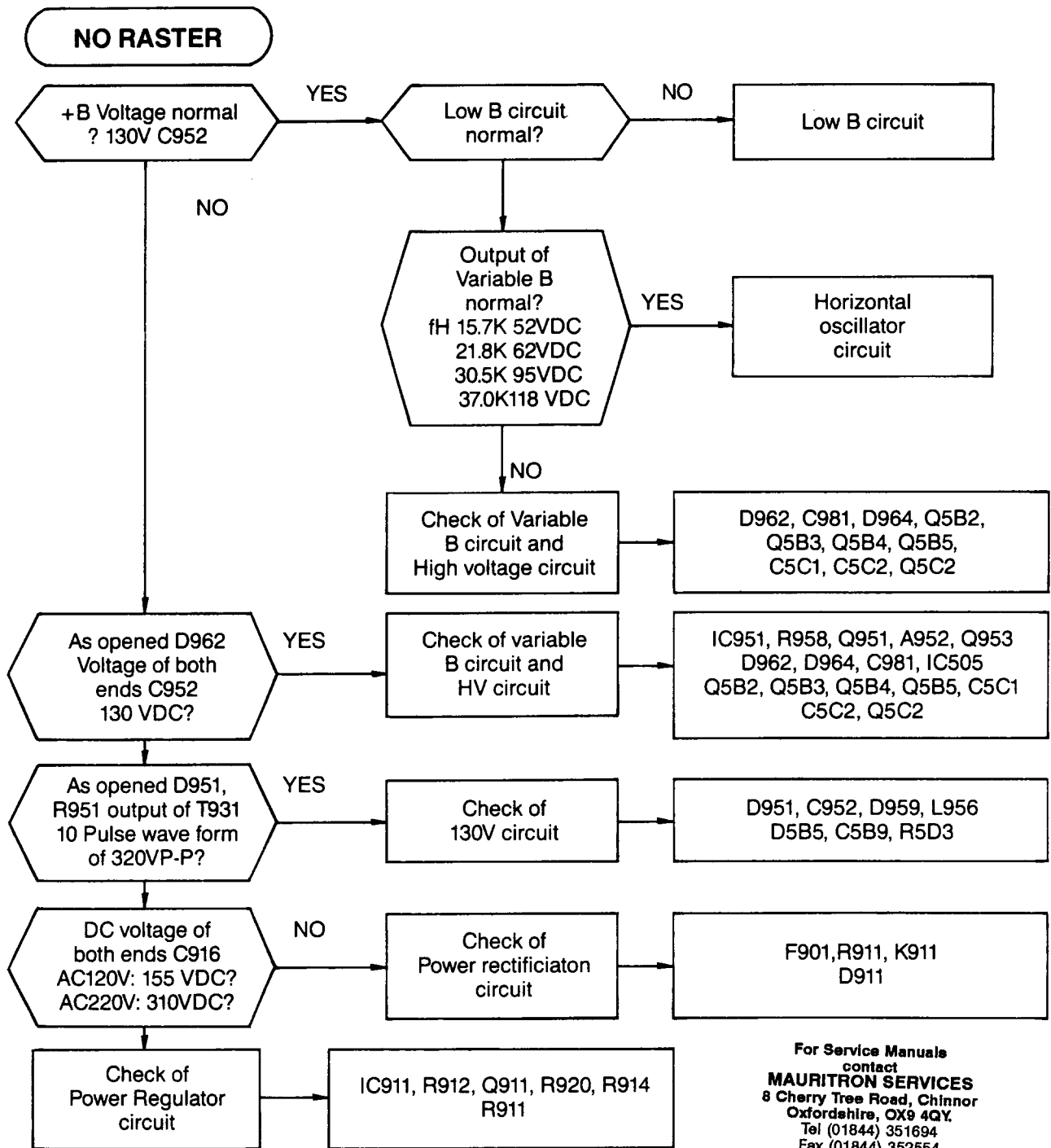
See p. 37

Bad Focus

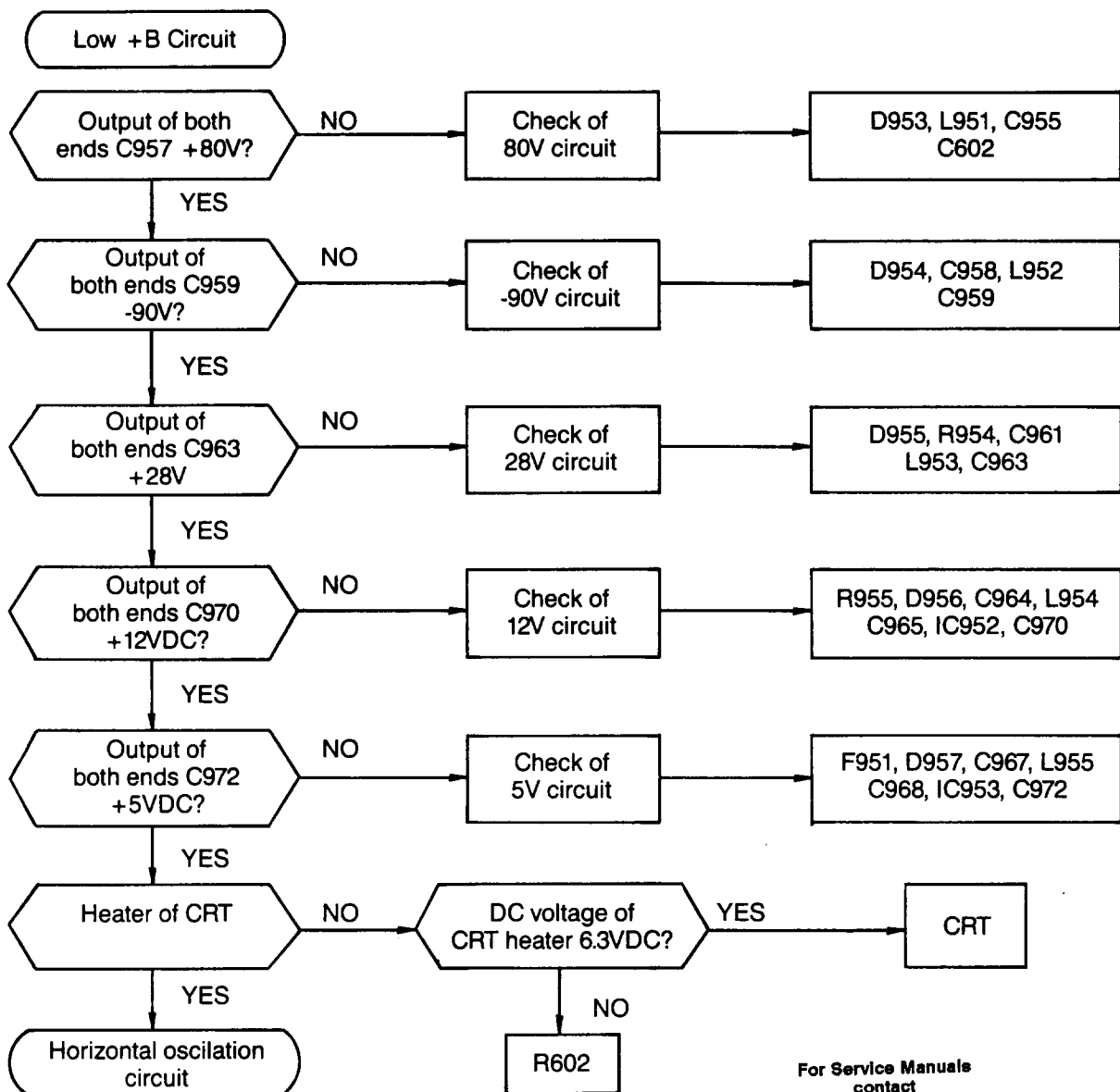
Focus

See p. 37

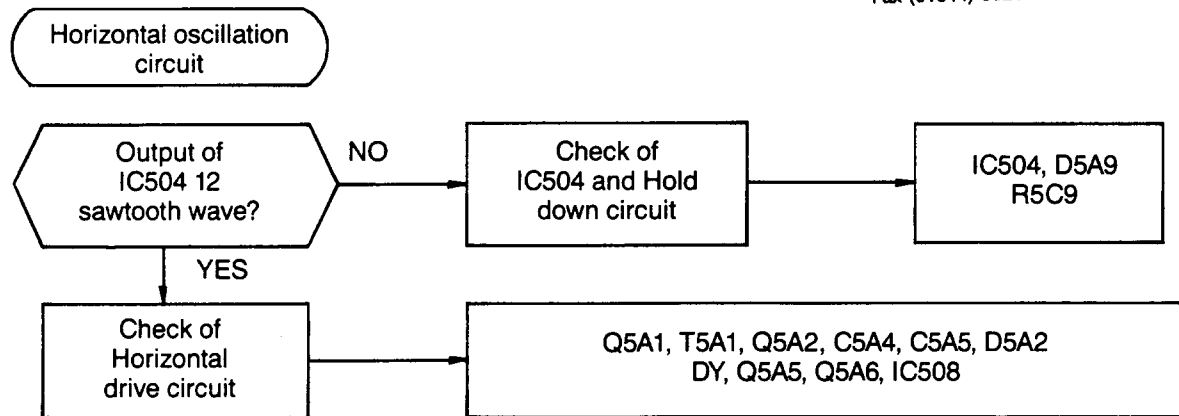
For Service Manuals  
contact  
**MAURITRON SERVICES**  
8 Cherry Tree Road, Chinnor  
Oxfordshire, OX9 4QY.  
Tel (01844) 351694  
Fax (01844) 352554



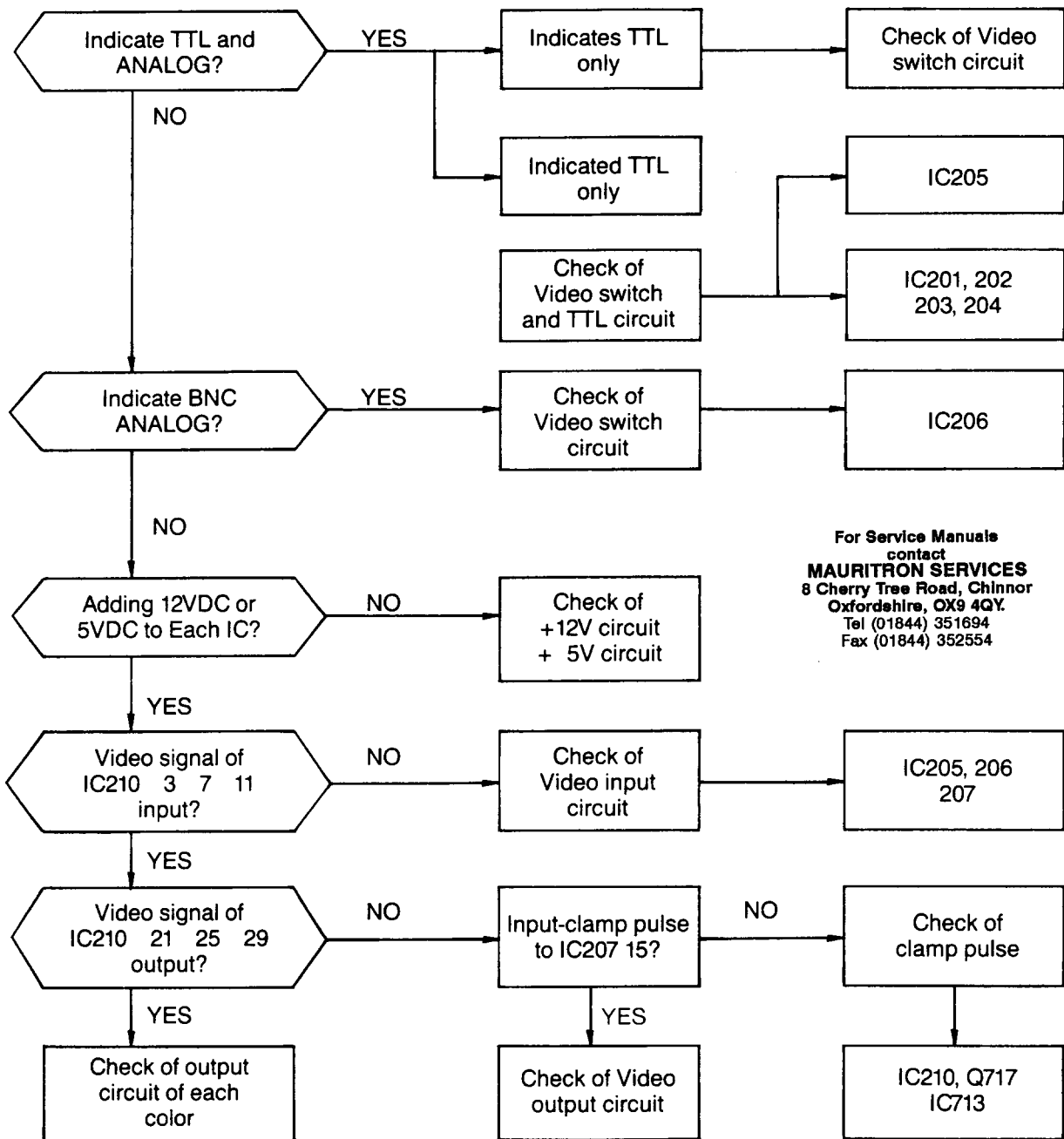
For Service Manuals  
contact  
**MAURITRON SERVICES**  
8 Cherry Tree Road, Chinnor  
Oxfordshire, OX9 4QY.  
Tel (01844) 351694  
Fax (01844) 352554



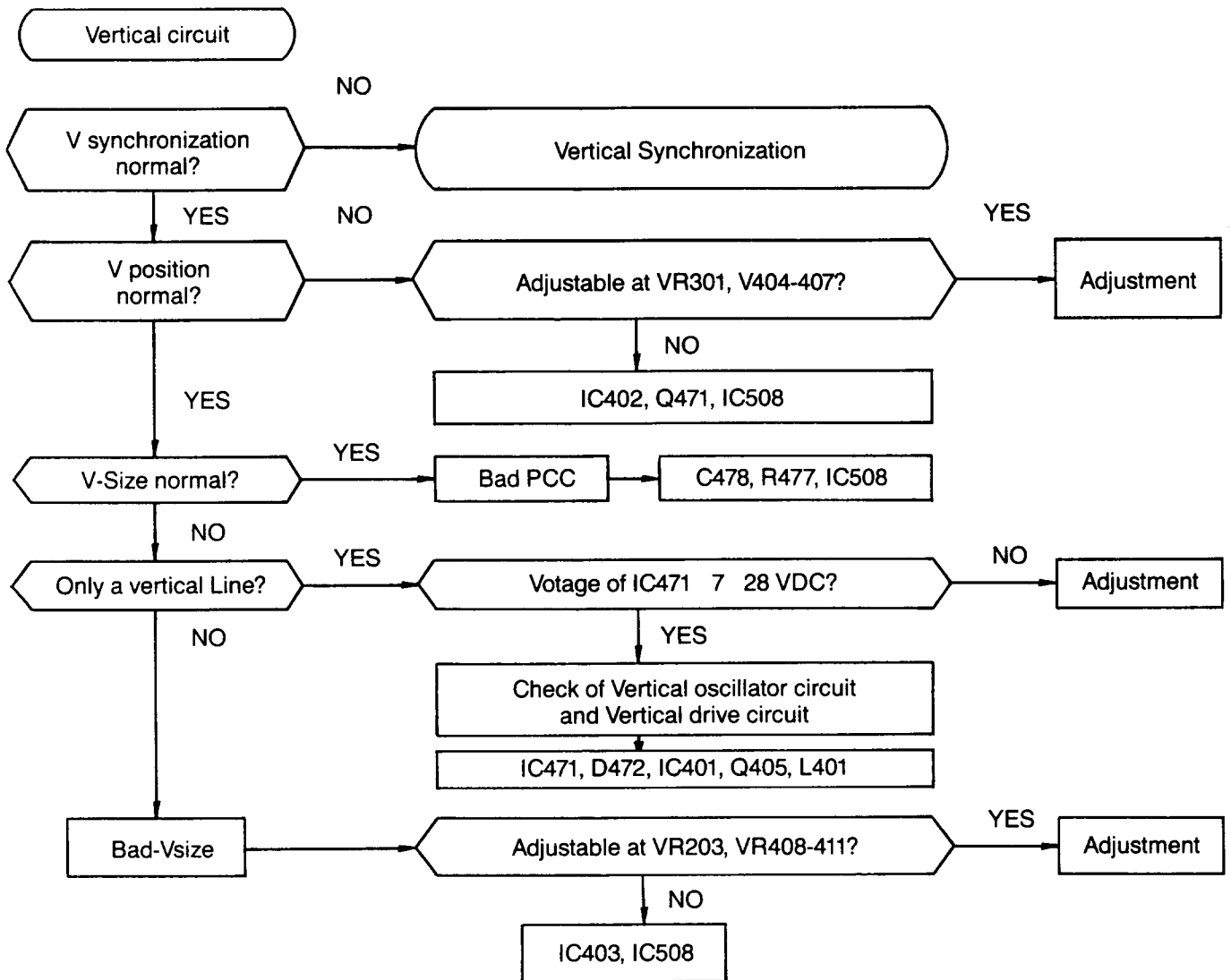
For Service Manuals  
 contact  
**MAURITRON SERVICES**  
 8 Cherry Tree Road, Chinnor  
 Oxfordshire, OX9 4QY.  
 Tel (01844) 351694  
 Fax (01844) 352554



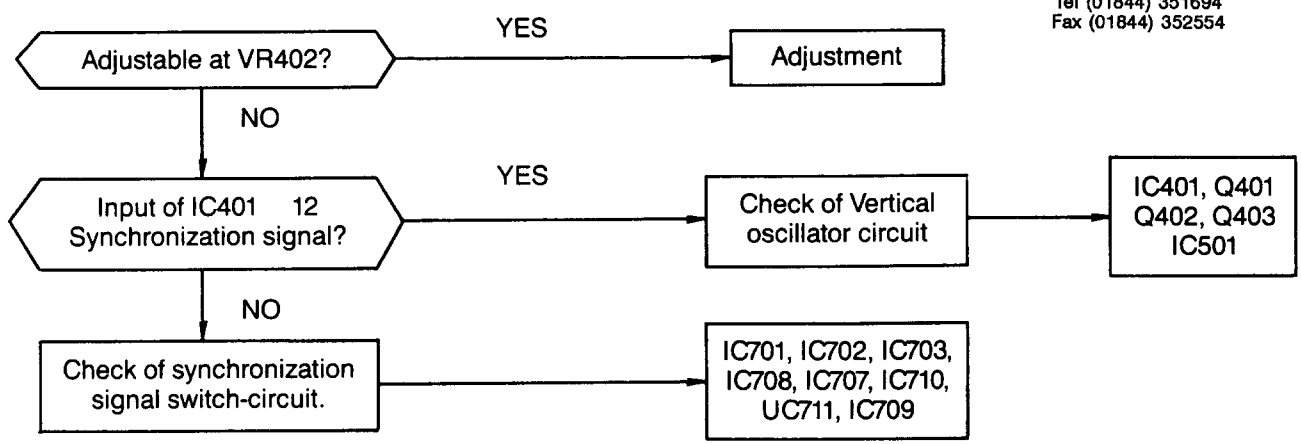
**NO PICTURE**



For Service Manuals  
contact  
**MAURITRON SERVICES**  
8 Cherry Tree Road, Chinnor  
Oxfordshire, OX9 4QY.  
Tel (01844) 351694  
Fax (01844) 352554

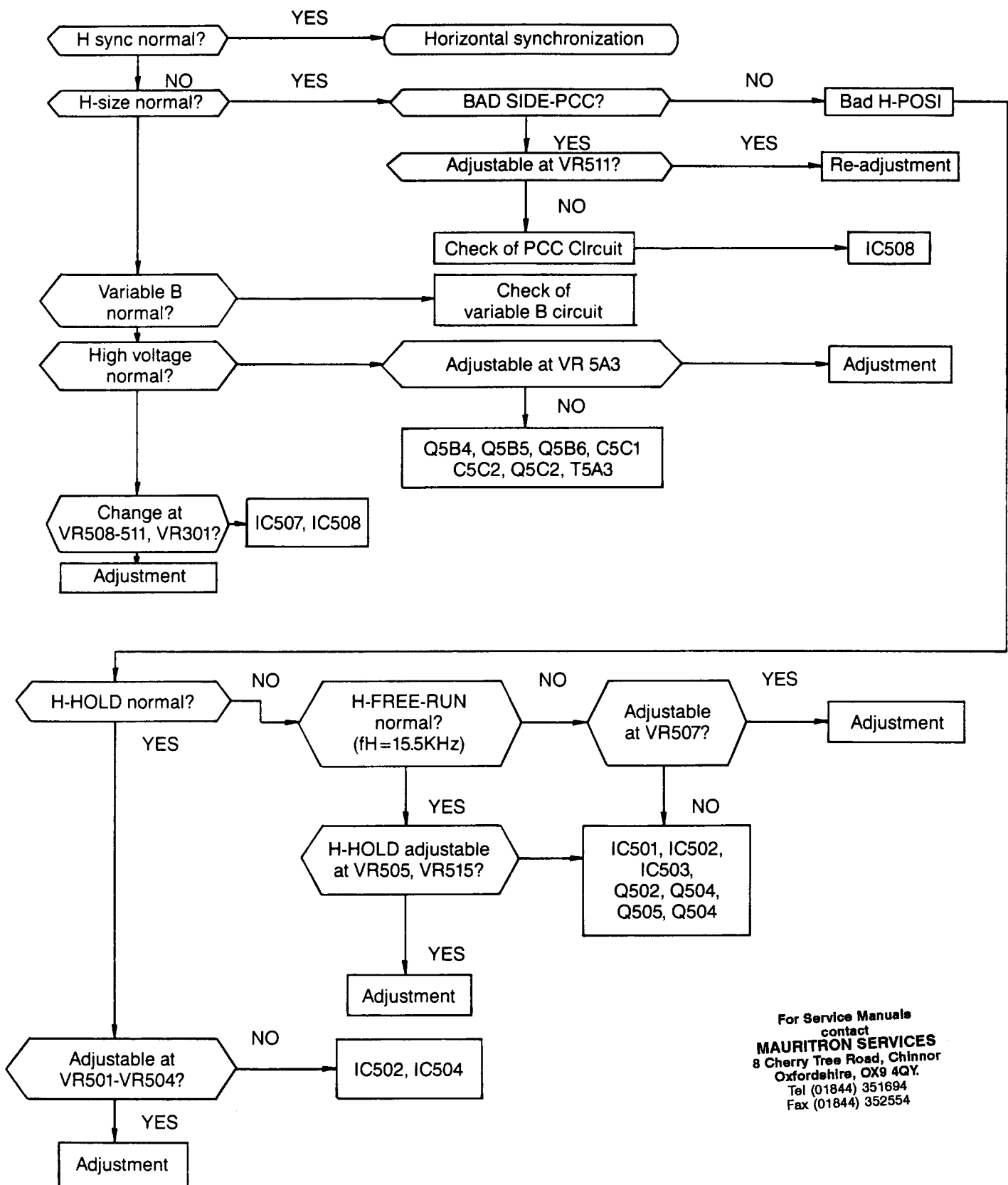


Vertical Synchronization

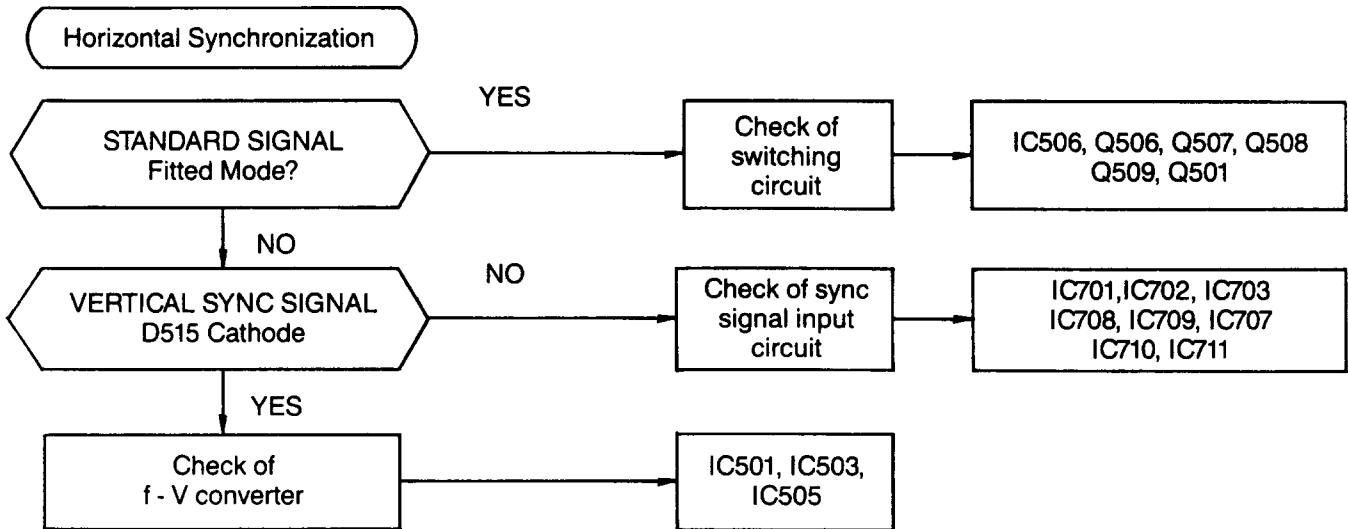


For Service Manuals contact  
**MAURITRON SERVICES**  
 8 Cherry Tree Road, Chinnor  
 Oxfordshire, OX9 4QY.  
 Tel (01844) 351694  
 Fax (01844) 352554

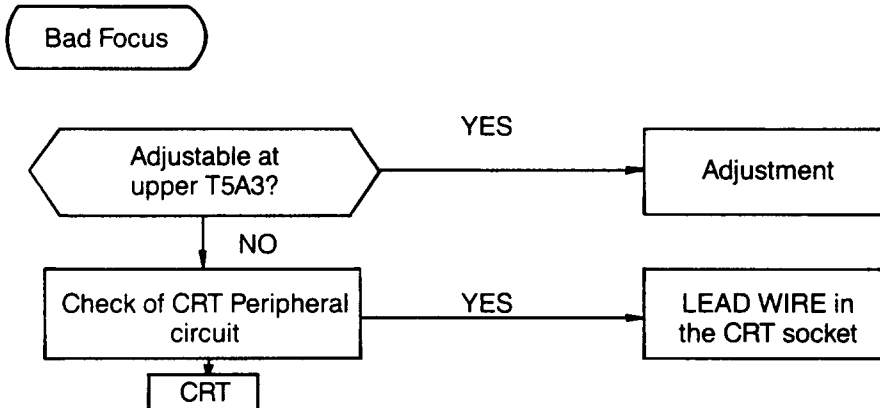
Horizontal circuit



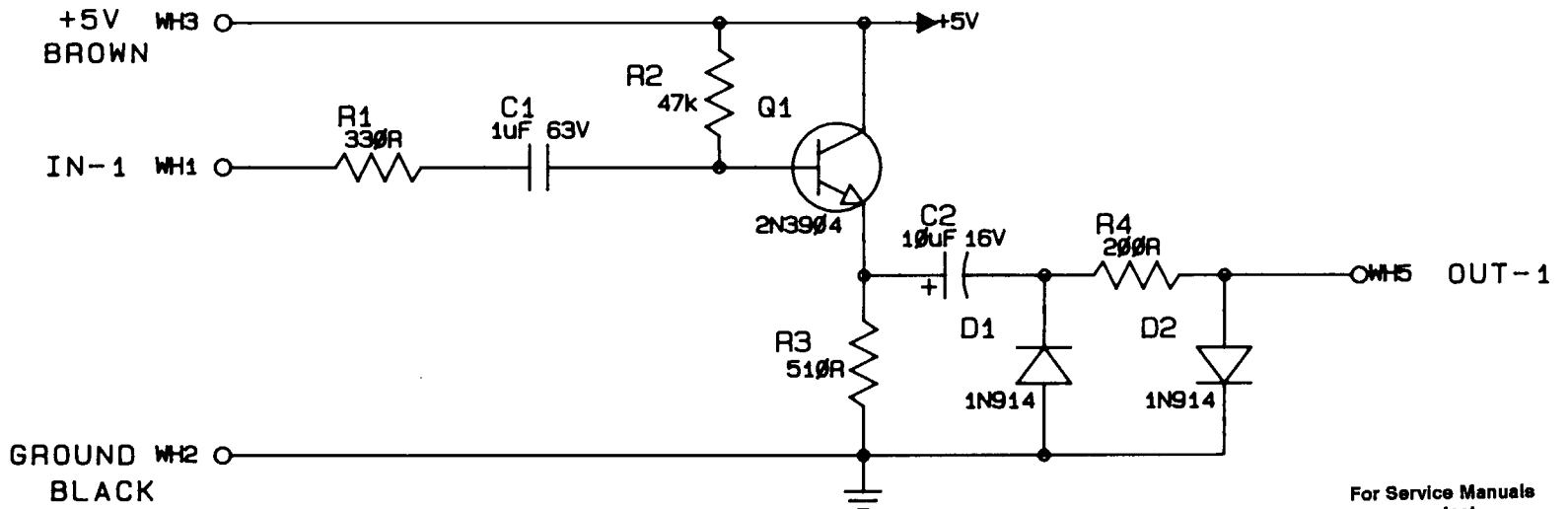
For Service Manuals  
contact  
**MAURITRON SERVICES**  
8 Cherry Tree Road, Chinnor  
Oxfordshire, OX9 4QY.  
Tel (01844) 351694  
Fax (01844) 352554



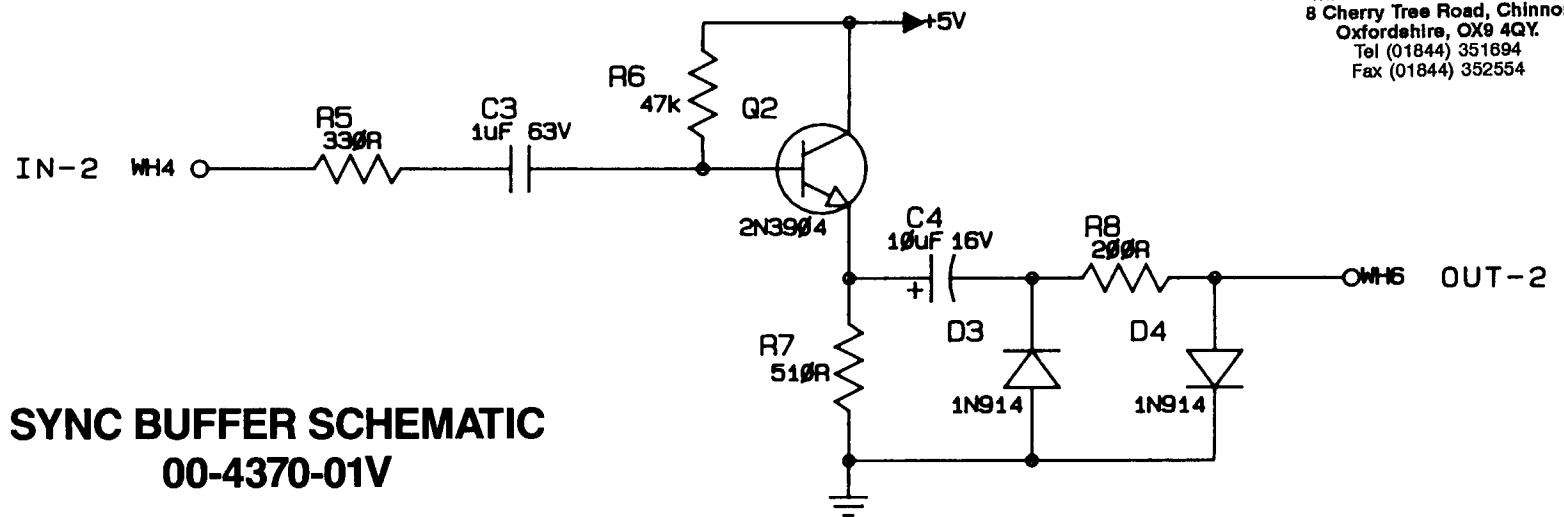
For Service Manuals  
 contact  
**MAURITRON SERVICES**  
 8 Cherry Tree Road, ChInnor  
 Oxfordshire, OX9 4QY.  
 Tel (01844) 351694  
 Fax (01844) 352554



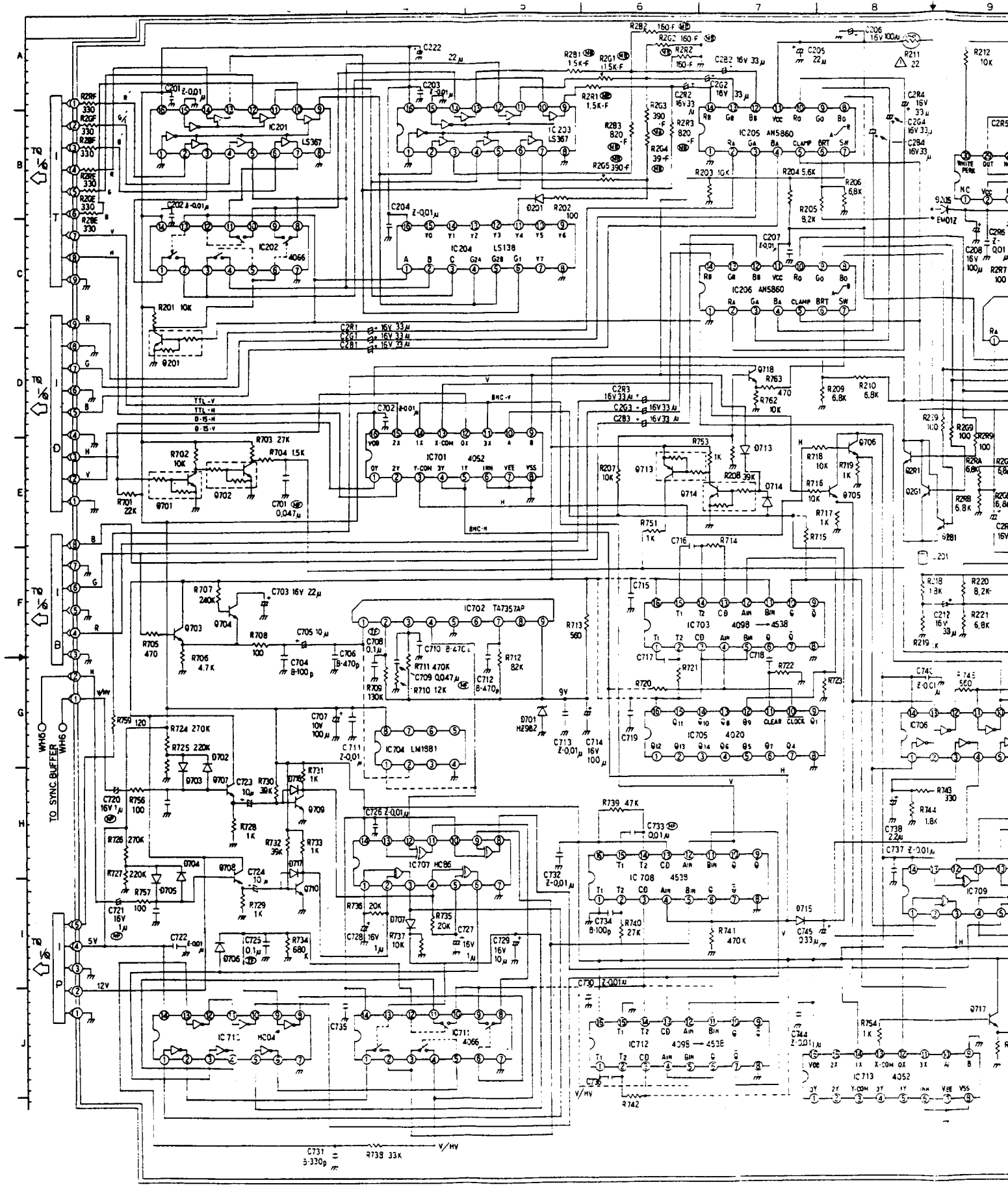




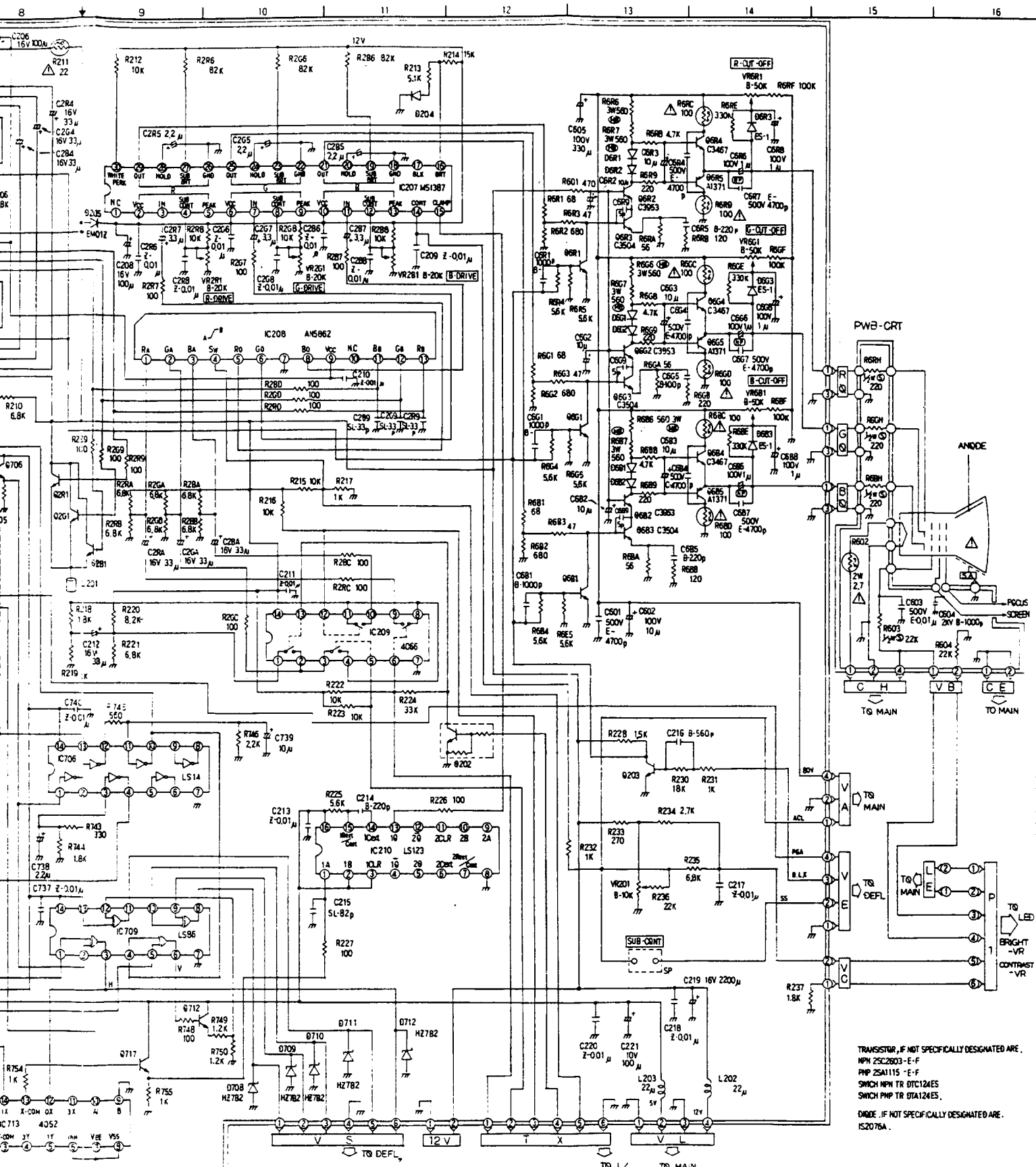
For Service Manuals  
 contact  
**MAURITRON SERVICES**  
 8 Cherry Tree Road, Chinnor  
 Oxfordshire, OX9 4QY.  
 Tel (01844) 351694  
 Fax (01844) 352554



**SYNC BUFFER SCHEMATIC**  
**00-4370-01V**



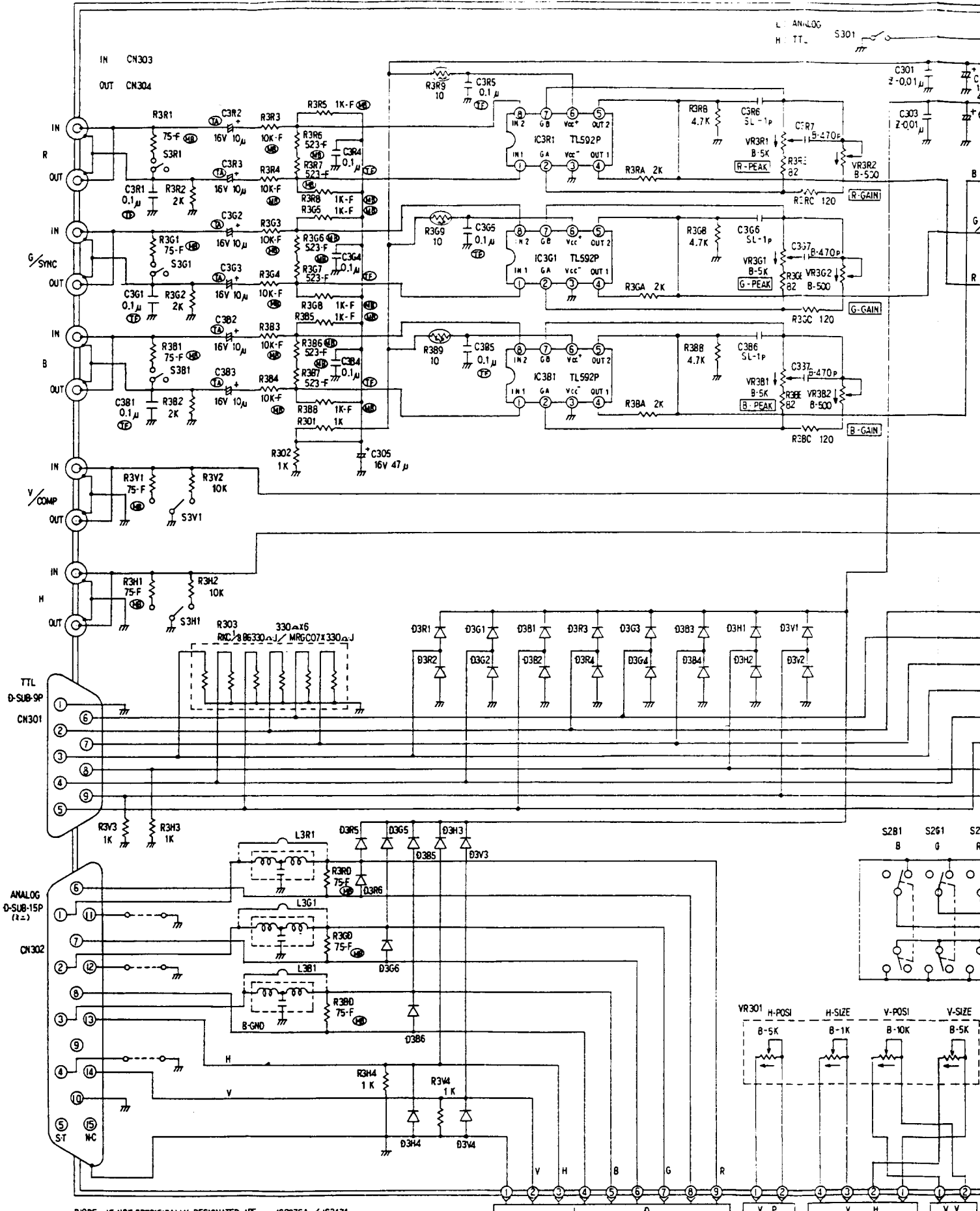
THE QUALITY OF  
THIS PAGE IS  
THE BEST THAT  
IS AVAILABLE



TRANSISTOR, IF NOT SPECIFICALLY DESIGNATED ARE:  
 NPN 2SC2803-E-F  
 PNP 2SA1115-E-F  
 SWITCH NPN TR DTC124ES  
 SWITCH PNP TR DTA124ES  
 DIODE, IF NOT SPECIFICALLY DESIGNATED ARE:  
 1S2076A

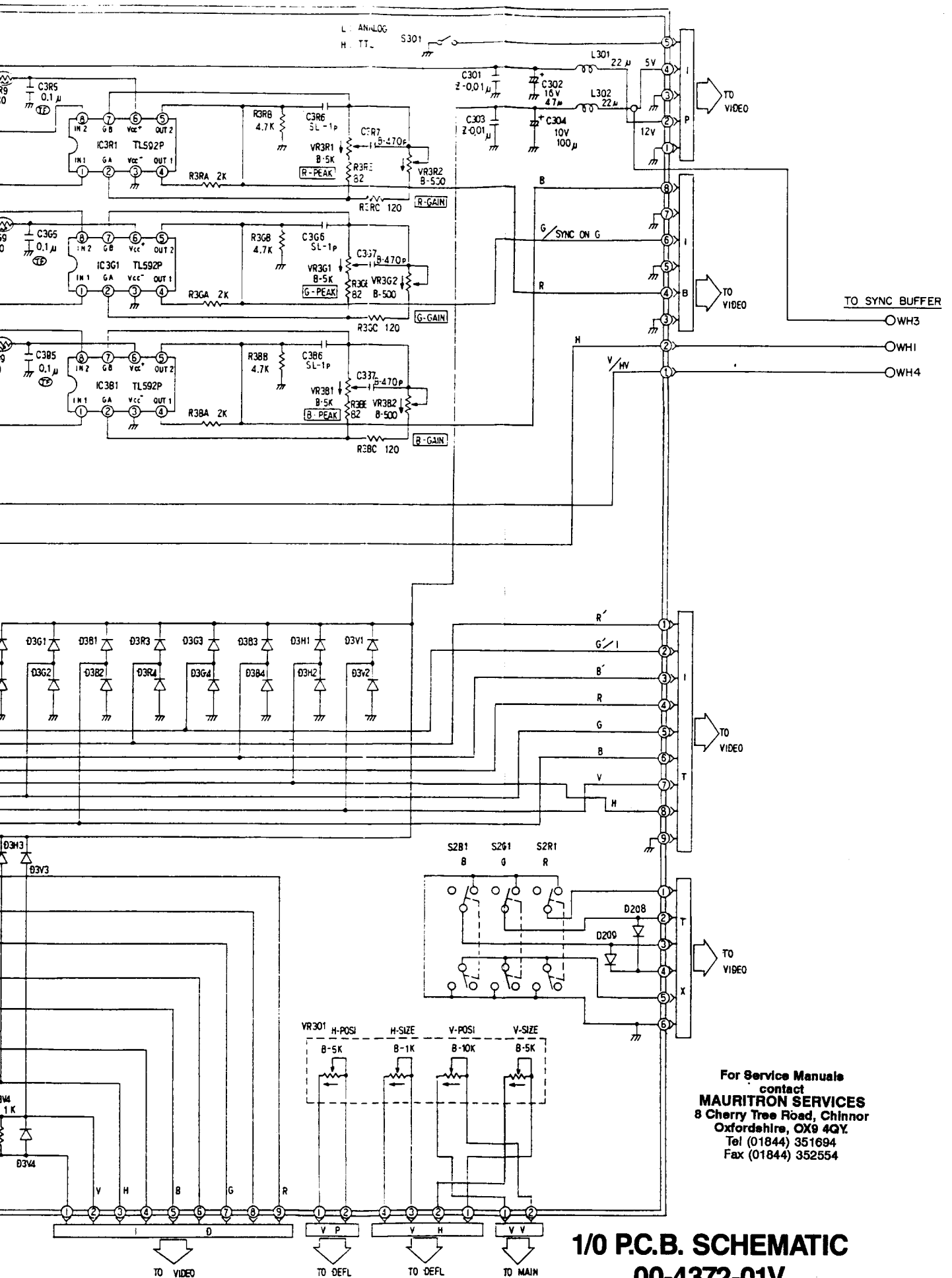
**VIDEO P.W.B. SCHEMATIC**  
**00-4371-01V**

**THE QUALITY OF  
 THIS PAGE IS  
 THE BEST THAT  
 IS AVAILABLE**



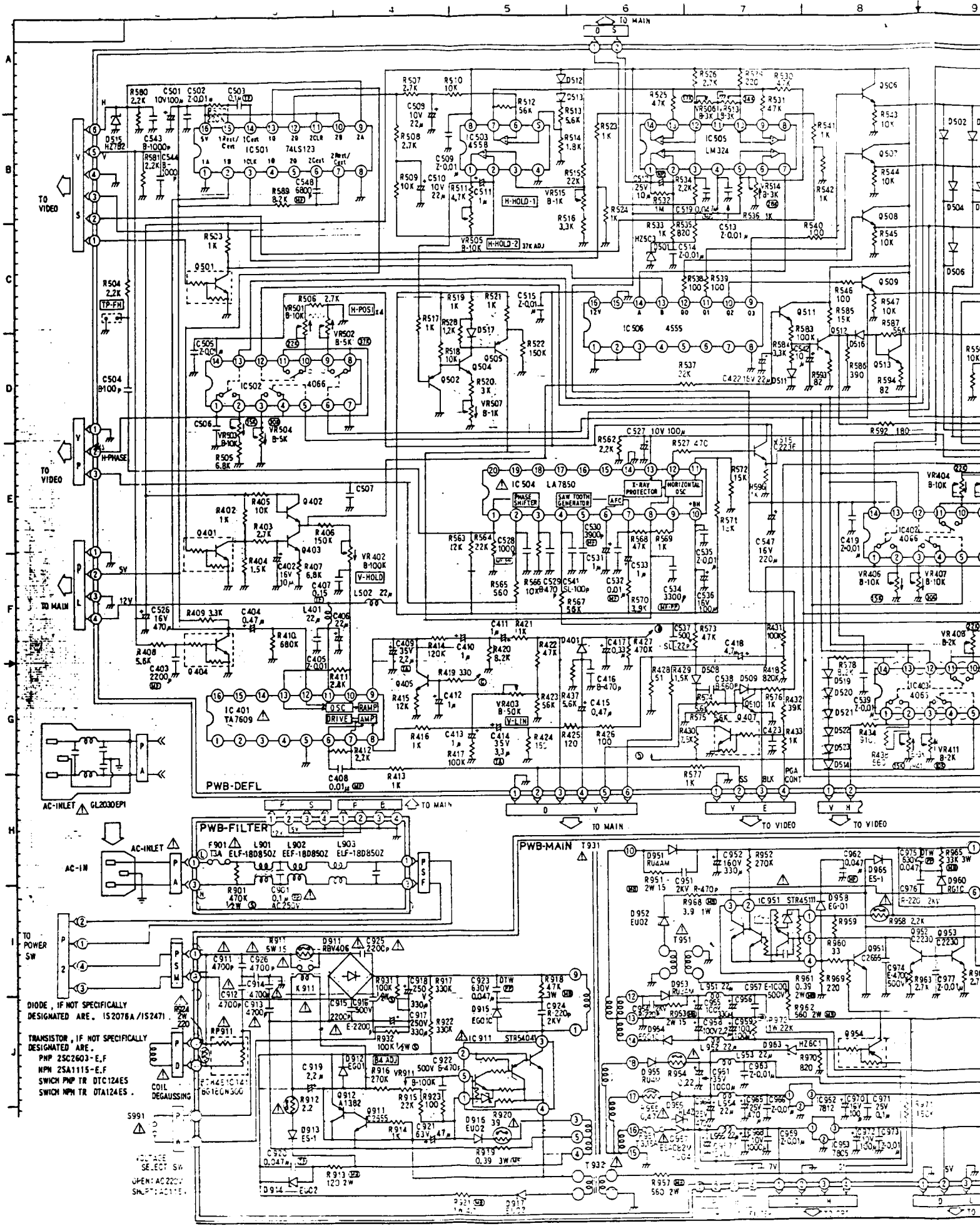
DIODE : IF NOT SPECIFICALLY DESIGNATED ARE IS2076A / IS2471

For Service Manuals  
 contact  
**MAURITRON SERVICES**  
 8 Cherry Tree Road, Chinnor  
 Oxfordshire, OX9 4QY.  
 Tel (01844) 351694  
 Fax (01844) 352554



For Service Manuals  
 contact  
**MAURITRON SERVICES**  
 8 Cherry Tree Road, Chinnor  
 Oxfordshire, OX9 4QY.  
 Tel (01844) 351694  
 Fax (01844) 352554

**1/0 P.C.B. SCHEMATIC**  
**00-4372-01V**



THE QUALITY OF  
THIS PAGE IS  
THE BEST THAT  
IS AVAILABLE

