

1985



CABLE/PAY TV HOOKUP  
-----

Cable TV along with the premium channels offered (often called Pay TV), allows the TV viewer a very wide scope of entertainment in the comfort of their home. However, there is much confusion about the connection and use of such equipment.

On the following pages we are presenting a number of different hookups, the advantages and disadvantages of each and indication of how to set the controls on each piece of gear. We will be using a number of terms & abbreviations. The glossary of these is as follows:

Audio In -Audio Input Jacks. These may be in stereo in the case of a Hi-Fi VCR or a stereo ready TV such as an RCA Colortrak 2000. If you are mixing mono & stereo gear, use the right or R/Mono jacks on the stereo unit.

Audio Out -Audio Output Jacks. These may be in stereo also.

Video In -Video input Jacks. These are NOT RF or channel 3 connections.

Video Out -Video Output Jacks. These too are not RF or channel 3 connections.

VHF In -VHF Input. These are sometimes labelled "In From Antenna".

VHF Out -VHF Output. These are sometimes labelled "Out To TV".

TV1 -This is the normal TV channel you want to watch.

TV2 -This is a second normal TV channel you may wish to watch or record while watching or recording the first normal TV channel.

PTV -Pay TV.

VCR -Video Cassette Recorder.

Converter -A remote control converter with output on channel 03.

Descrambler -This is the Pay TV descrambler you rent from your cable TV company.

Converter/Descrambler -This is a combined converter & descrambler. Some cable companies call this a "Wonderbox". It usually has Audio & Video output jacks as well as a channel 03 VHF output. If your converter/descrambler unit does not have these jacks please use the hookups shown for separate converter and descrambler.

\* -This means that the position does not matter.

A1 -Auxiliary 1. Often tuned by selecting channel 91.

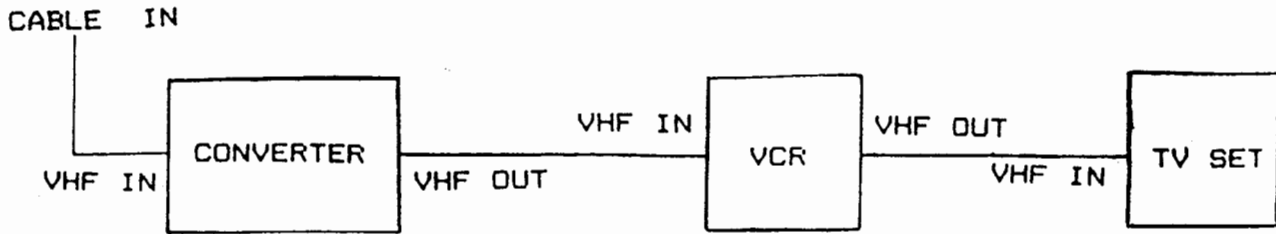
A2 -Auxiliary 2. Often tuned by selecting channel 92.

NOTES: -1. We assume your converter and VCR have their RF or VHF output on channel 03. If yours has output on another channel such as 02 or 04, please substitute these channels in place of 3 or 03.

-2. All Pay TV hookups assume you have a cable ready TV. If not, you may make your TV cable ready by purchasing a "Block" converter, adding it to your VHF input.

-3. Hookups using Auxiliary inputs are preferred as you will get a superior picture. If your TV does not have auxiliary inputs, you must ignore the references to them in the charts.

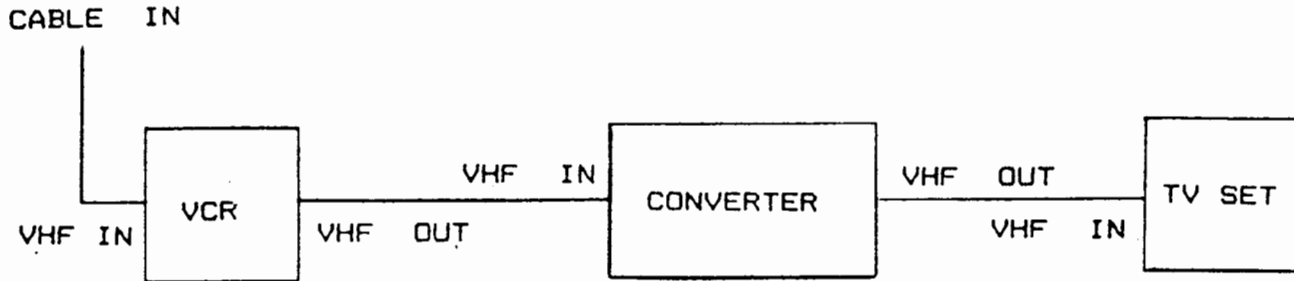
### BASIC HOOKUP



This is a very common hookup. Do not use it! Why? Because you lose the ability to record one channel while you watch another. Also, to do timer recording, you must leave the converter switched on and even then, you can only record the channel to which the converter is set.

### PREFERRED BASIC HOOKUP

ADVANTAGES -All VCR features including timer recording and recording one channel while watching another are available.

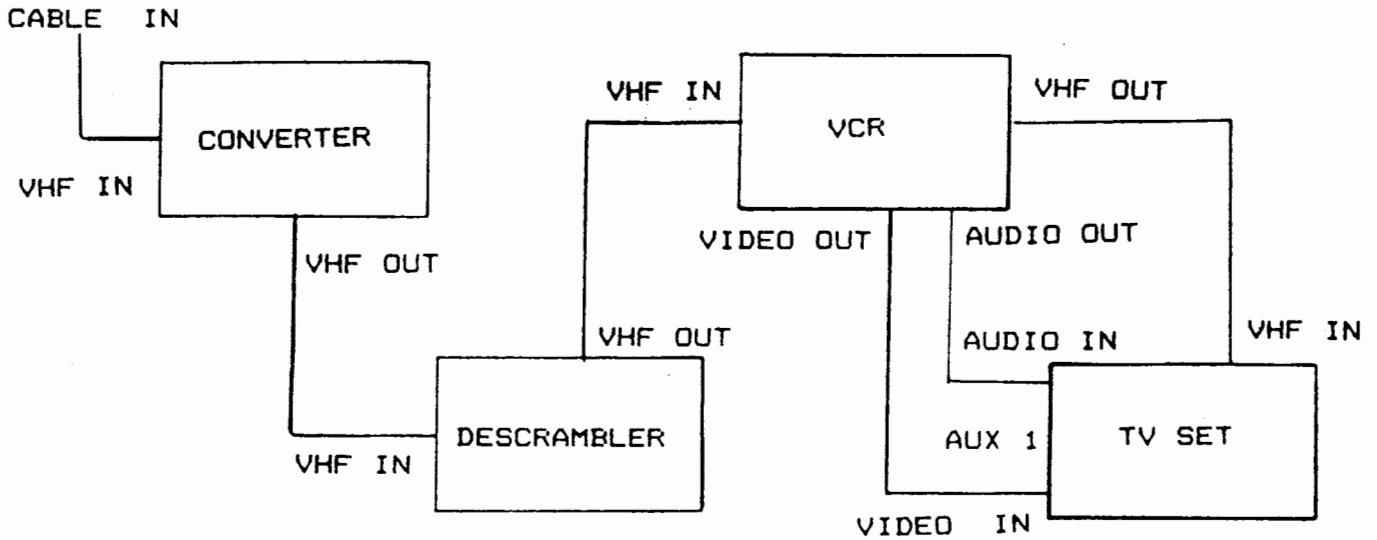


To Watch	To Record	VCR/TV Sw	Conv. Tuner	VCR Tuner
TV1	*	TV	TV1	*
TV1	TV1	VCR	03	TV1
TV1	TV2	TV	TV1	TV2
VCR	*	VCR	03	*

# BASIC PAY TV HOOKUP

ADVANTAGES -Its simple.

DISADVANTAGES -You cannot record one channel while you watch another. You cannot do timer recording unless you leave the converter switched on and then can only record that channel. If your TV is remote control, you cannot use it except to control the volume. This hookup is very limited.



To Watch	To Record	Conv. Tuner	TV Tuner	VCR Tuner	VCR/TV Switch
TV1	*	TV1	03	*	TV
TV1	TV1	TV1	03	03	VCR
TV1	TV1	TV1	A1	03	*
PTV	*	PTV	03	*	TV
PTV	PTV	PTV	03	03	VCR
VCR	*	*	03	*	VCR
VCR	*	*	A1	*	*

PAY TV HOOKUP 2

ADVANTAGES -You can watch normal TV while taping a Pay TV program

DISADVANTAGES -You cannot do timer recording unless you leave your converter switched on and then only the channel on which your converter is set.

Materials Required: -1 2 Way Splitter such as RCA AH013 or AH020

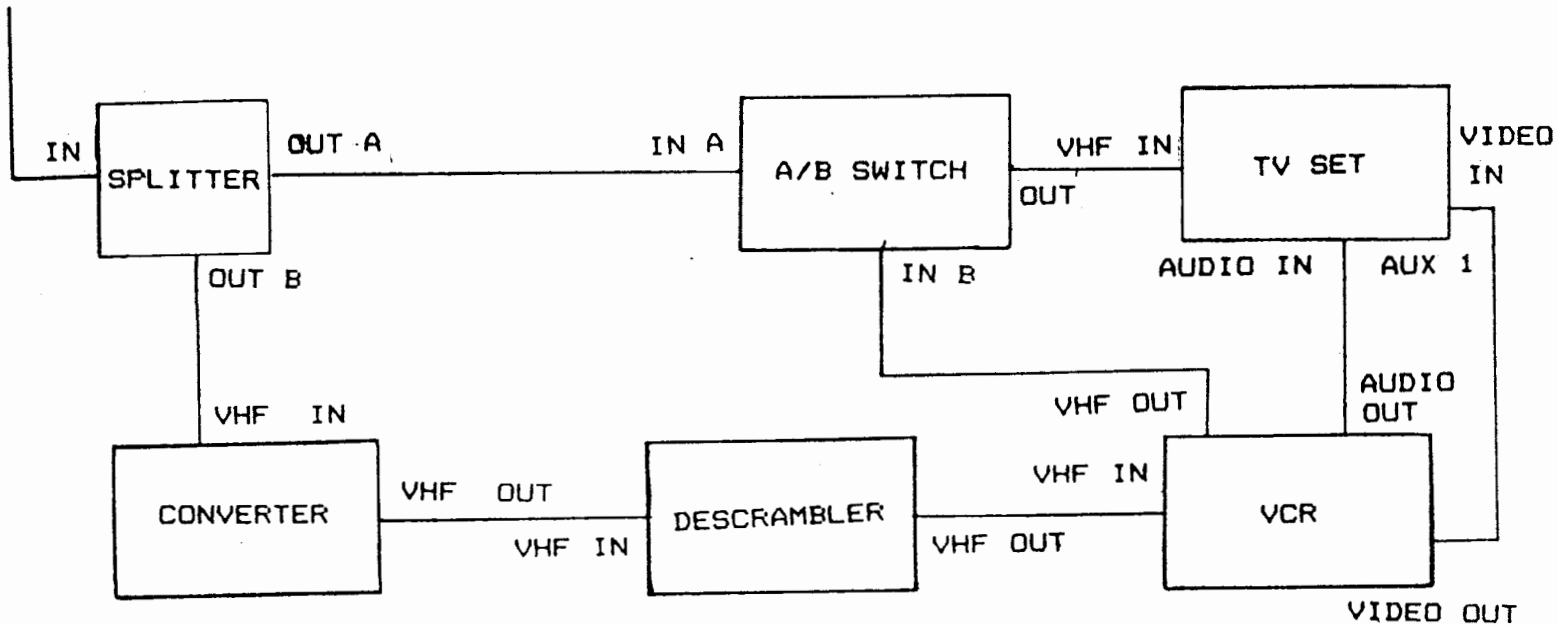
-1 A/B Switch such as RCA AH019 or AH028.

-6 Cables such as RCA AH037

(Please note the above are available as a kit from RCA, part number AH038, with 3 AH037 included.)

With a monitor TV, you also need 1 RCA AH005 cable.

CABLE IN



To Watch	To Record	A/B Switch	TV Tuner	VCR Tuner	Converter Tuner	VCR/TV Switch
TV1	*	A	TV1	*	*	*
TV1	TV1	B	03	03	TV1	VCR
TV1	TV1	*	A1	03	TV1	*
TV1	TV2	A	TV1	03	TV2	*
PTV	*	B	03	*	PTV	TV
PTV	PTV	B	03	03	PTV	VCR
PTV	PTV	*	A1	03	PTV	*
TV1	PTV	A	TV1	03	PTV	*
VCR	*	B	03	*	*	VCR
VCR	*	*	A1	*	*	*

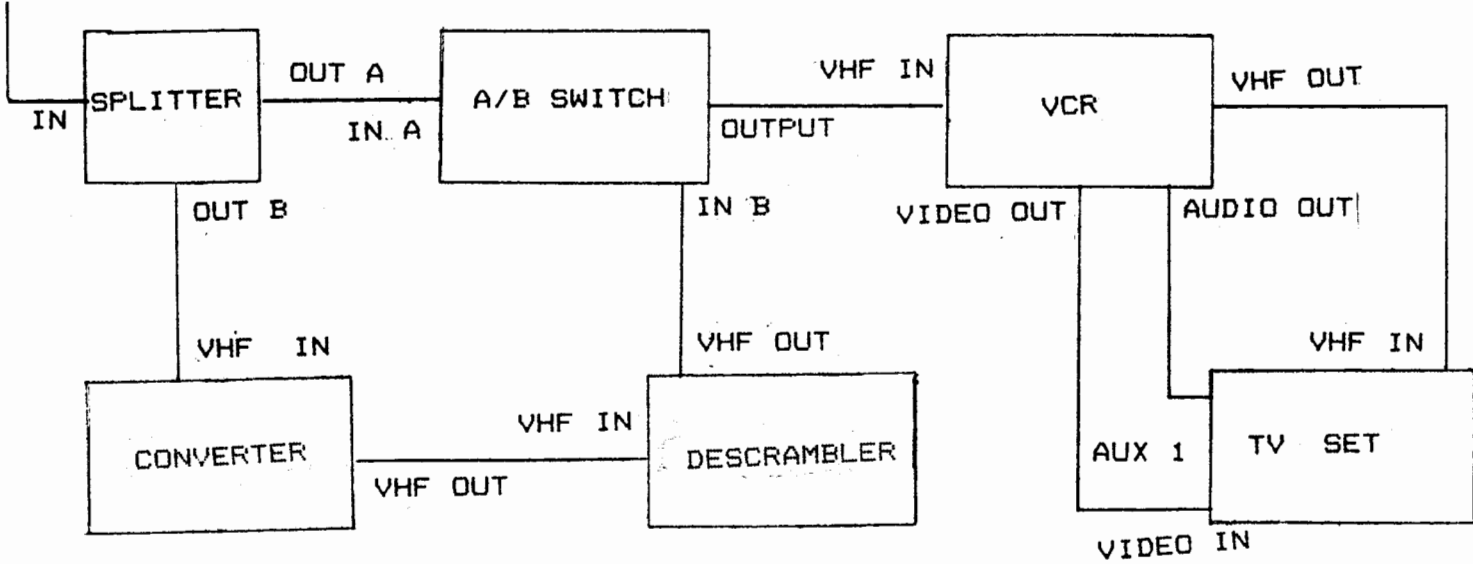
PAY TV HOOKUP 3

ADVANTAGES -You can timer record normal channels as required.  
 DISADVANTAGES -You cannot watch normal TV while taping Pay TV.

Materials Required: The same as the previous hookup.

CABLE IN

CABLE IN



To Watch	To Record	A/B Switch	TV Tuner	VCR Tuner	Converter Tuner	VCR/TV Switch
TV1	*	A	TV1	*	*	TV
TV1	TV1	A	03	TV1	*	VCR
TV1	TV1	A	A1	TV1	*	*
TV1	TV2	A	TV1	TV2	*	TV
PTV	*	B	03	*	PTV	TV
PTV	PTV	B	03	03	PTV	VCR
PTV	PTV	B	A1	03	PTV	*
VCR	*	*	03	*	*	VCR
VCR	*	*	A1	*	*	*

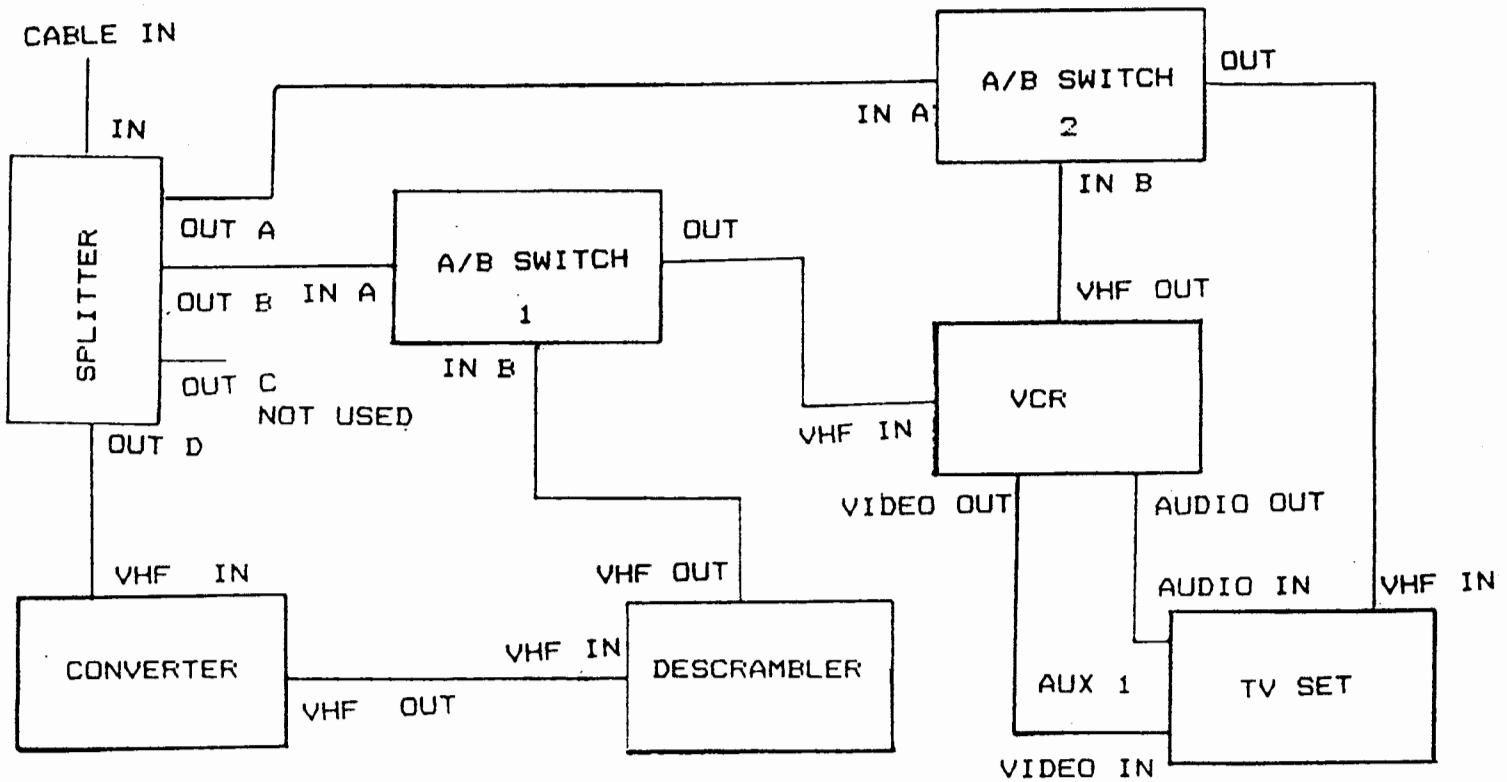


PAY TV HOOKUP 4

ADVANTAGES -You can both timer record and record Pay TV while you watch regular TV.

DISADVANTAGES -Its complicated.

- Materials Required: 1 4 way splitter such as RCA AH014 or AH021.  
 -2 A/B Switches such as RCA AH019 or AH028.  
 -8 Cables such as RCA AH037.  
 -With Monitor TV sets, 1 RCA AH005 cable.



To	To	A/B Sw.	A/B Sw.	VCR/TV	Converter	TV	VCR
Watch	Record	#1	#2	Switch	Tuner	Tuner	Tuner
TV1	*	*	A	*	*	TV1	*
TV1	TV1	A	B	VCR	*	03	TV1
TV1	TV1	A	*	*	*	A1	TV1
TV1	TV2	A	A	*	*	TV1	TV2
PTV	*	B	B	TV	PTV	03	*
PTV	PTV	B	B	VCR	PTV	03	03
PTV	PTV	B	*	*	PTV	A1	03
TV1	PTV	B	A	*	PTV	TV1	03
VCR	*	*	B	VCR	*	03	*
VCR	*	*	*	*	*	A1	*

PAY TV HOOKUP WITH "WONDERBOX" & RCA COLORTRAK 2000 TV SET

ADVANTAGES -This hookup does it all.

DISADVANTAGES -Complex & Wonderbox is not available everywhere.

Materials Required: -1 4 Way splitter such as RCA AH014 Or AH021.

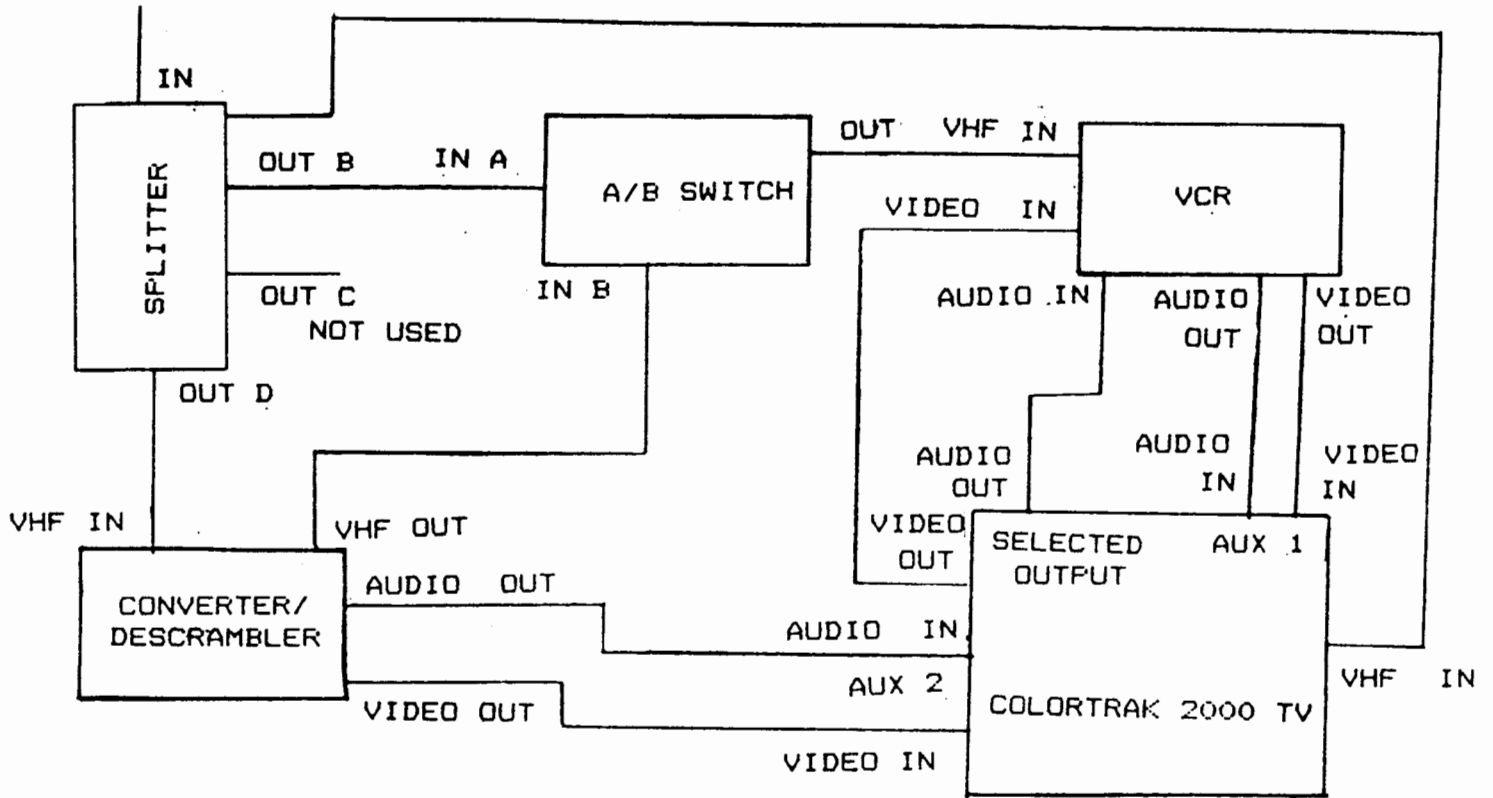
-5 Cables such as RCA AH037.

3 Video Cables such as RCA AH002.

3 Stereo Audio Cables such as RCA AH029 with a stereo or Hi-Fi VCR.

Otherwise, mono cables will suffice.

CABLE IN



To	To	A/B	TV	VCR	Converter	VCR/TV	Camera/Tuner
Watch	Record	Switch	Tuner	Tuner	Tuner	Switch	Switch on
							VCR
TV1	*	*	TV1	*	*	Not	*
TV1	TV1	A	A1	TV1	*	Used	Tuner
TV1	TV1	*	TV1	*	*	*	Camera
TV1	TV2	A	TV1	TV2	*	*	Tuner
PTV	*	*	A2	*	PTV	*	*
PTV	PTV	*	A2	*	PTV	*	Camera
PTV	TV1	A	A2	TV1	PTV	*	Tuner
TV1	PTV	B	TV1	03	PTV	*	Tuner
VCR	*	*	A1	*	*	*	*

PAY TV WITH "WONDERBOX" DESCRAMBLER AND TV WITH MONITOR INPUTS

Note, if your TV does not have monitor inputs, you cannot use this hookup.

ADVANTAGES -Allows you to watch one channel while watching another and use the timer.

DISADVANTAGES -Not available in all areas.

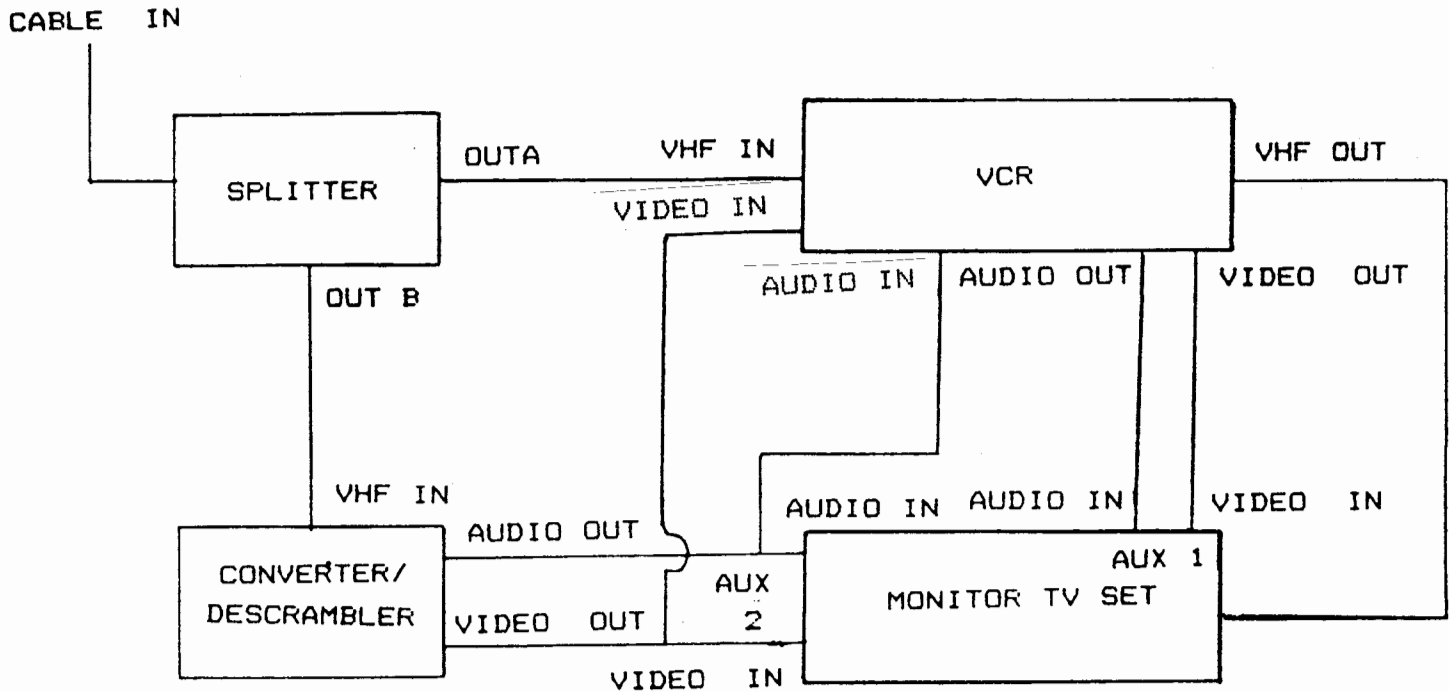
Materials Required: 1 2 Way Splitter such as RCA AH013 or AH020.

-3 Cables such as RCA AH037.

-3 Video cables such as RCA AH002.

-3 Audio cables such as RCA AH029.

-2 "Y" cables with 1 male & 2 female phono jacks on it.



To Watch	To Record	TV Tuner	VCR Tuner	Converter Tuner	VCR/TV Switch	Camera/Tuner Switch on VCR
TV1	*	TV1	*	*	TV	*
TV1	TV1	03	TV1	*	VCR	Tuner
TV1	TV1	A1	TV1	*	*	Tuner
TV1	TV2	TV1	TV2	*	TV	Tuner
PTV	*	A2	*	PTV	*	*
PTV	*	03	*	PTV	VCR	Camera
PTV	PTV	03	*	PTV	VCR	Camera
PTV	PTV	A2	*	PTV	*	Camera
PTV	TV1	A2	TV1	PTV	*	Tuner
TV1	PTV	TV1	*	PTV	TV	Camera
VCR	*	03	*	*	VCR	*
VCR	*	A1	*	*	*	*





PAY TV HOOKUP WITH A SWITCHBOX

ADVANTAGES -Allows all functions and is simple.

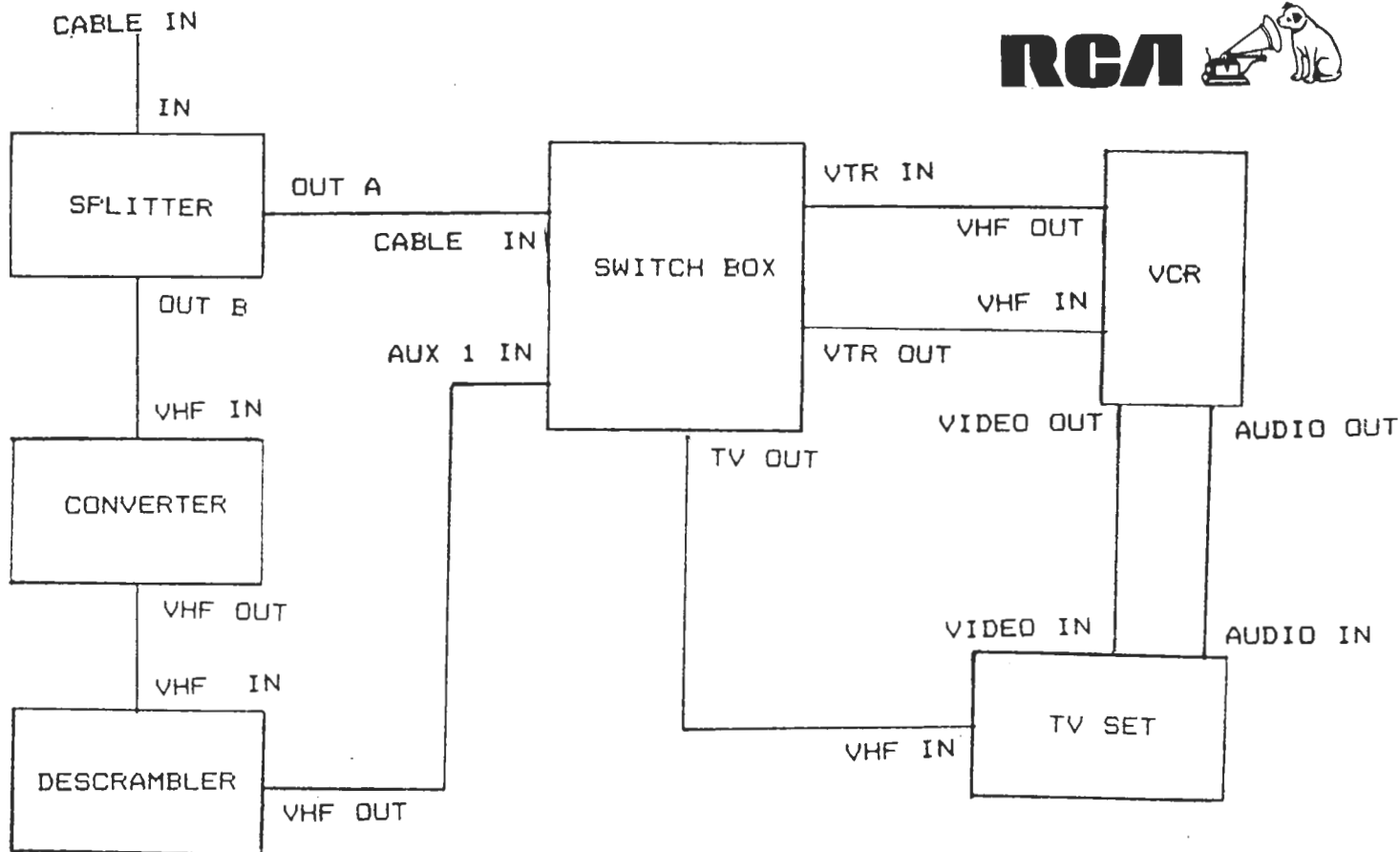
DISADVANTAGES -You have to buy the switchbox.

Materials Required: 1 2 Way splitter such as RCA AH013 or AH020.

-1 Switch Box such as Radio Shack 15-1261.

-7 Cables such as RCA AH037.

With Monitor TV also: 1 AH005 Audio/Video cable.



To Watch	To Record	TV Viewing Switch	VTR Rec. Switch	TV/VCR Switch	Converter Tuner	VCR Tuner	TV Tuner
TV1	*	Cable	*	*	*	*	TV1
TV1	TV1	VTR	Cable	VCR	*	TV1	O3
TV1	TV1	*	Cable	*	*	TV1	A1
TV1	TV2	VTR	Cable	TV	*	TV2	TV1
TV1	TV2	Cable	Cable	*	*	TV2	TV1
PTV	*	AUX 1	*	*	PTV	*	O3
PTV	PTV	VTR	AUX 1	VCR	PTV	O3	O3
PTV	PTV	*	AUX 1	*	PTV	O3	A1
PTV	TV1	AUX1	Cable	*	PTV	TV1	O3
TV1	PTV	Cable	Aux 1	*	PTV	O3	TV1
VCR	*	VTR	*	VCR	*	*	O3
VCR	*	*	*	*	*	*	A1

If you have any questions about these hookups or need any of the materials needed, please contact your TV or VCR dealer.

## PAY TV HOOKUP USING A VCR EQUIPPED WITH A CATV ADAPTER JACK

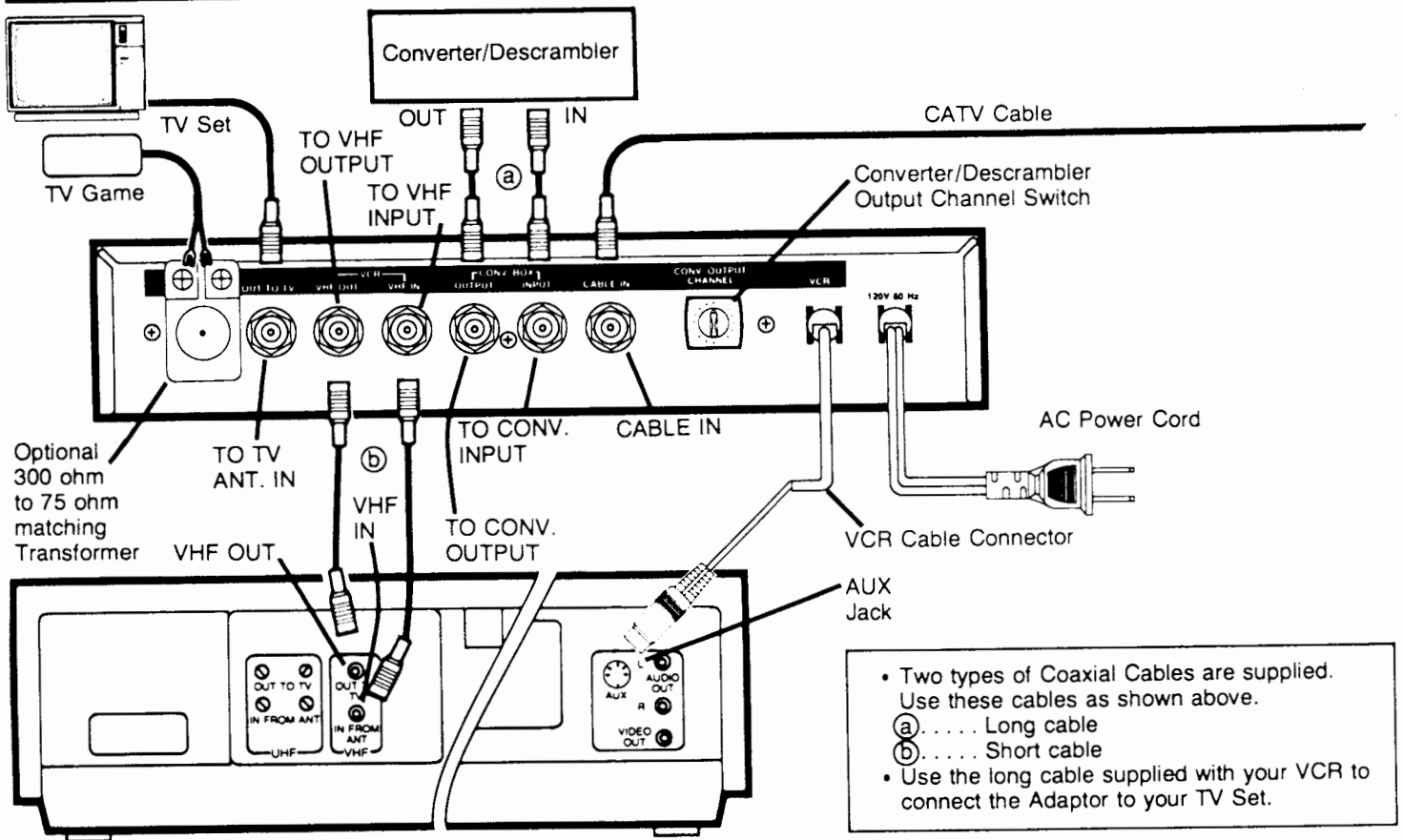
ADVANTAGES: Allows all functions and is easiest to use.

DISADVANTAGES: None other than it works only with certain RCA VCRs.

Suitable RCA VCRs: VJT500, VJT700, VJT900, VKT500, VKT650, VKT700, VKP930, VKP950, VLT410, VLT460, VLT500HF, VLT625, VLT700HF, VLP900 & VLP950.

Materials Required: RCA Model CAD030 CATV Adapter.

## Installation



Operation: See the CAD030 instruction booklet.

NOTE: The block shown as a combined converter descrambler may be two separate units in your locality, depending on your cable system. If so, consult your dealer for the best hookup. If your decoder is a "Wonderbox" type, and you are using a monitor type, you may wish to connect additional audio and video cables between the decoder, VCR and TV set for a better quality picture.