

# harwil LEAD BENDER

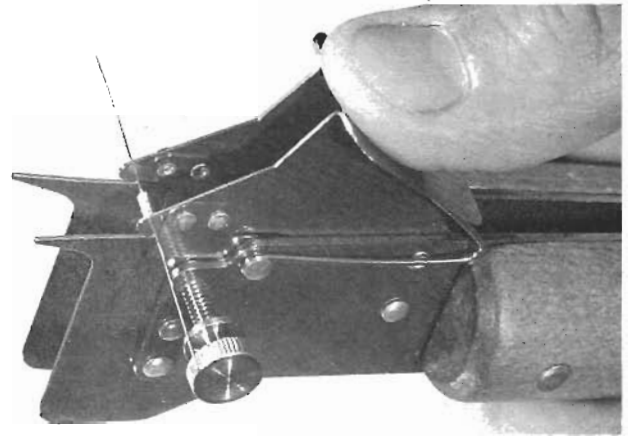
model  
N-400

for MICRO ELECTRONIC COMPONENTS

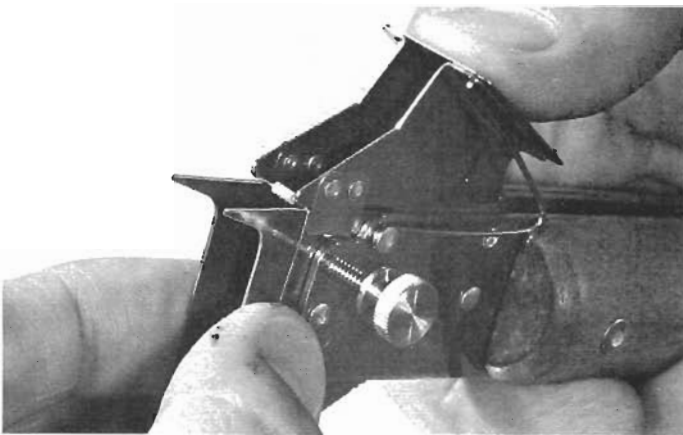
- INCREASES PRODUCTION 50 TO 75%
- LABOR SAVINGS PAY FOR THE N-400 IN ONE WEEK OR LESS



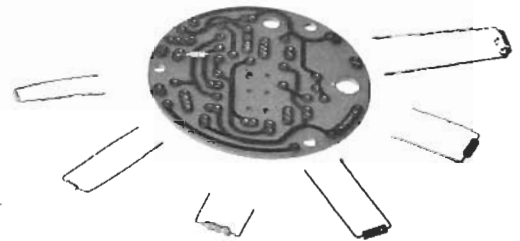
MATCH POINTERS WITH COMPONENT LEAD HOLES BY ROTATING KNURLED ADJUSTING SCREW



SLIP COMPONENT IN LEAD GUIDES AND CLAMP IN PLACE WITH LIGHT THUMB PRESSURE

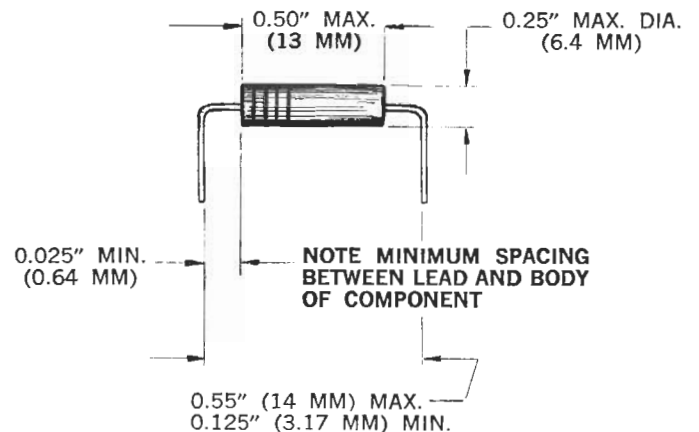


BEND LEADS AGAINST SIDES OF POINTERS WITH THUMB AND FOREFINGER



INSERT COMPONENT IN CIRCUIT BOARD

- SIMPLE, FAST, EXACT.
- SPECIALLY DESIGNED FOR MICRO SIZE COMPONENTS FROM THE SMALLEST DOT SIZE DIODES, CAPACITORS, AND RESISTORS TO ¼ WATT CARBON RESISTORS.
- TOTALLY ELIMINATES TRIAL AND ERROR BENDING OF COMPONENT LEADS.
- FAST, CONTINUOUSLY ADJUSTABLE SETTING OF SPACE BETWEEN BENDS.
- MADE FROM STAINLESS STEEL FOR MAXIMUM STRENGTH AND WEAR RESISTANCE.



PATENT NO. 3,212,368

*harwil company*

PRICE \$21.50 F.O.B. SANTA MONICA, CALIFORNIA. NET 30  
IMMEDIATE DELIVERY GUARANTEED

903 COLORADO AVE.,

SANTA MONICA, CALIFORNIA 90404

PHONE (213) 394-4710

NOVEMBER 1969