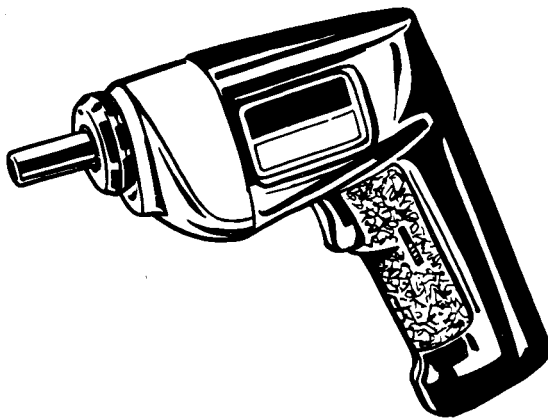


Sears

OWNERS
MANUAL

MODEL NO.
135.222200

CAUTION:
Read Rules for
Safe Operation
and Instructions
Carefully



CRAFTSMAN®
CORDLESS SCREWDRIVER

Introduction
Operation
Maintenance
Repair Parts



SIMPSONS-SEARS LIMITED, TORONTO, ONTARIO CANADA M5B 2B8

Tool Safety Rules

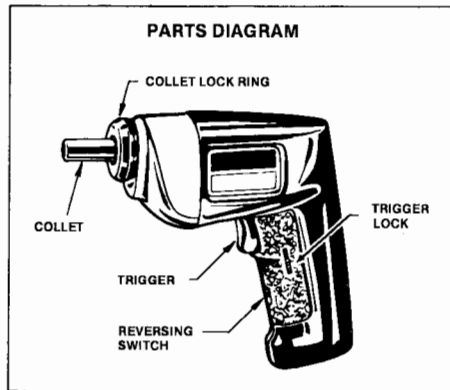
- Battery tools are always in the operative condition. Be aware of possible hazards. Keep trigger lock in OFF position when not using tool or when changing accessories.
- Care must be used when drilling, driving or cutting into walls, ceilings or other areas where electrical wires may be contacted. Do not touch the bit, chuck or other metal parts on the front end of the tool when cutting into these areas. Hold the tool only by the insulated handle and/or insulated housing to minimize electric shock.
- Do not substitute any other charger. Use only the charger which accompanies your CRAFTSMAN Cordless Screwdriver.
- Do not run tool while carrying it at your side.
- Do not put batteries near fire or heat. They may explode.
- If the batteries in the tool begin to leak, take care to avoid contact with the liquid. Should contact occur, wash quickly with soap and water. . . then with lemon juice or vinegar. If the liquid gets in your eye, wash with a strong solution of boric acid and get medical attention.
- Do not charge the tool in a damp or wet environment.
- Secure working surface before driving, never hold it in your hand or across legs.
- Never charge the tool in an environment where the temperature is less than +40° F (+4°C) or more than +104° F (+40°C).

IMPORTANT SAFETY INSTRUCTIONS SAVE THESE INSTRUCTIONS

1. **SAVE THESE INSTRUCTIONS**—This manual contains important safety and operating instructions for battery charger #323679.
2. Before using battery charger, read all instructions and cautionary markings on (1) battery charger, (2) battery, and (3) product using battery.
3. **CAUTION** — To reduce risk of injury, charge only nickel-cadmium type rechargeable batteries. Other types of batteries may burst causing personal injury and damage.
4. Do not expose charger to rain or snow.
5. Use of an attachment not recommended or sold by the battery charger manufacturer may result in a risk of fire, electric shock, or injury to persons.
6. To reduce risk of damage to electric plug and cord, pull by plug rather than cord when disconnecting charger.
7. Make sure cord is located so that it will not be stepped on, tripped over, or otherwise subjected to damage or stress.
8. An extension cord should not be used unless absolutely necessary. Use of improper extension cord could result in a risk of fire and electric shock. If extension cord must be used, make sure:
 - a. That pins on plug of extension cord are the same number size, and shape as those of plug on charger.
 - b. That extension cord is properly wired and in good electrical condition; and
 - c. That wire size is large enough for AC ampere rating of charger as specified below:

AWG Size of Cord / Length of Cord				
Feet (Metres)	25 (7.6)	50 (15.2)	100 (30.5)	150 (45.7)
AWG	18	18	18	16
9. Do not operate charger with damaged cord or plug; replace them immediately.
10. Do not operate charger if it has received a sharp blow, been dropped, or otherwise damaged in any way; take it to a Sears Repair Centre.
11. Do not disassemble charger; take it to a Sears Repair Centre when service or repair is required. Incorrect reassembly may result in a risk of electric shock or fire.
12. To reduce risk of electric shock, unplug charger from outlet before attempting any maintenance or cleaning. Turning off controls will not reduce this risk.

Introduction



The CRAFTSMAN Cordless Screwdriver model 22220 has a 1/4" collet. The low RPM capability of this model is not a deficiency. On the contrary, low speed means high torque and high torque is a definite plus for efficient driving. The low speed also provides more control to prevent stripout of the screw and damage to the work surface.

BATTERIES

Your CRAFTSMAN Cordless Screwdriver is equipped with 3 nickel cadmium rechargeable batteries. Length of service from one charging will depend on the type of work you are doing, but the batteries can be recharged up to 1,000 times. Should it ever be necessary to replace the batteries, your nearest CRAFTSMAN Service Center or Retail Store will be able to assist you. NOTE: Do not worry about overcharging. Your charger is designed to prevent overcharging.

TRIGGER LOCK

Battery operated tools are always in operating condition when charged. The trigger lock is your protection against inadvertent use. Always keep the lock button in the off position when the tool is not in use or when changing accessories.

REVERSE

The reverse switch allows you to change the rotation of the tool. For clockwise or normal rotation, push the switch to the forward position. The reverse position will provide the counterclockwise rotation needed to remove screws. NOTE: Do not change the direction of rotation until the collet comes to a complete stop.

COLLET LOCK

Your CRAFTSMAN Screwdriver is equipped with a collet lock ring. This feature will lock the collet in one position, which will allow you to tighten a nut or screw by rotating the screwdriver by hand with the switch off.

The collet lock ring is great for tightening nuts, bolts and driving screws. It can be very handy if your battery is low and you might not have enough power to complete the job. Also, those delicate jobs like cabinet work, just drive the screws in snug and allow the screwdriver to come to a complete stop, remove driver from the work, engage the collet lock ring and hand tighten to desired torque.

Operation

CHARGING THE SCREWDRIVER

Your new cordless screwdriver is not fully charged. Be sure to charge it prior to initial use. To charge the screwdriver first put the trigger lock in the OFF position. Plug the charger into the screwdriver then plug the charger into the power source.

CAUTION THIS CHARGER CAN BE USED ONLY WITH 60 CYCLE, 120 AC VOLTAGE (normal house voltage). After normal usage, model 22220 normally requires 3 hours charging time to reach full capacity.

NOTE: Your model 22220 has a built-in thermostat to protect the batteries. This may increase the recharge cycle to 16 hours when the tool becomes warm from heavy use or high temperatures. For the 3 hour charge, place the tool in a cool environment for 30 minutes before recharging.

After the charging time has passed or you are ready to use the screwdriver, unplug the charger from the power source and then from the screwdriver.

CAUTION Do not run the tool with the charger connected to prevent damage to the charger.

NOTE: When not in use, the tool will lose approximately 1% of its charge per day. Also, when not charged for 90 days, the tool will charge only to 80% of capacity on the first charge, it will, however, return to 100% after several charges and uses. Thus, the best way to insure best battery performance is to use your screwdriver frequently.

START / STOP

To start the screwdriver, just slide the safety trigger lock to the "on" position and pull the trigger. When finished, release the trigger and return the trigger lock to the "off" position.

INSERTING BITS

Push the trigger lock to "off" position, and push the bit into the bit collet as far as it will go.

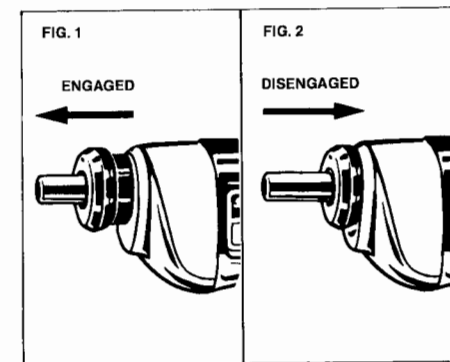
TO ENGAGE COLLET LOCK

1. Pull the collet lock ring away from the screwdriver in the direction of arrow until it engages.
2. If the collet lock ring won't engage, place the bit into a nut or screw and rotate the screwdriver by hand in either direction, while pushing the lock ring forward until it engages. (Fig. 1)

CAUTION Do not turn the switch on while the collet lock ring is engaged to prevent damage to the motor.

TO DISENGAGE COLLET LOCK

Pull the collet ring towards the screwdriver in the direction of the arrow. (Fig. 2)



FASTENING WITH SCREWS

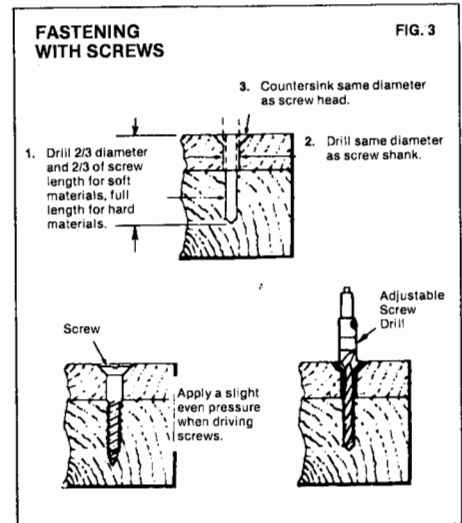
The procedure shown in Fig. 3 will enable you to fasten materials together with your Cordless Screwdriver without stripping, splitting, or separating the material.

First, clamp the pieces together and drill the first hole 2/3 the diameter of the screw. If the material is soft, drill only 2/3 the proper length. If it is hard, drill the entire length.

Second, unclamp the pieces and drill the second hole the same diameter as the screw shank in the first or top piece of wood.

Third, if a flat head screw is used, countersink the hole to make the screw flush with the surface. Then, simply apply even pressure when driving the screw. The screw shank clearance hole in the first piece allows the screw head to pull the pieces tightly together.

Adjustable screw drill accessories will do all of these operations quickly and easily. Screw drills are available for screw size No. 6, 8, 10 and 12.



Maintenance

Very little preventive maintenance is required to keep your new CRAFTSMAN Cordless Screwdriver in top condition. If you follow the three steps below, your tool should provide many years of service.

1. Use a clean dry cloth to wipe oil, grease and other deteriorating substances from the tool.

CAUTION Certain cleaning agents and solvents can damage plastic parts. Some of these are: gasoline, carbon tetrachloride, chlorinated cleaning solvents, ammonia and household detergents which contain ammonia. Avoiding use of these and other types of cleaning agents will minimize the possibility of damage.

2. Store the tool where it is cool and dry. Avoid areas where the temperature will drop to 0° F (-18° C) or exceed +120° F (+49° C).

WARNING All repairs, electrical or mechanical should be attempted only by trained repairmen. Contact the nearest Sears Service Center, or Retail outlet for service. Use only identical replacement parts, any other may create a hazard.

WARNING The use of any other accessories not specified in this manual may create a hazard.