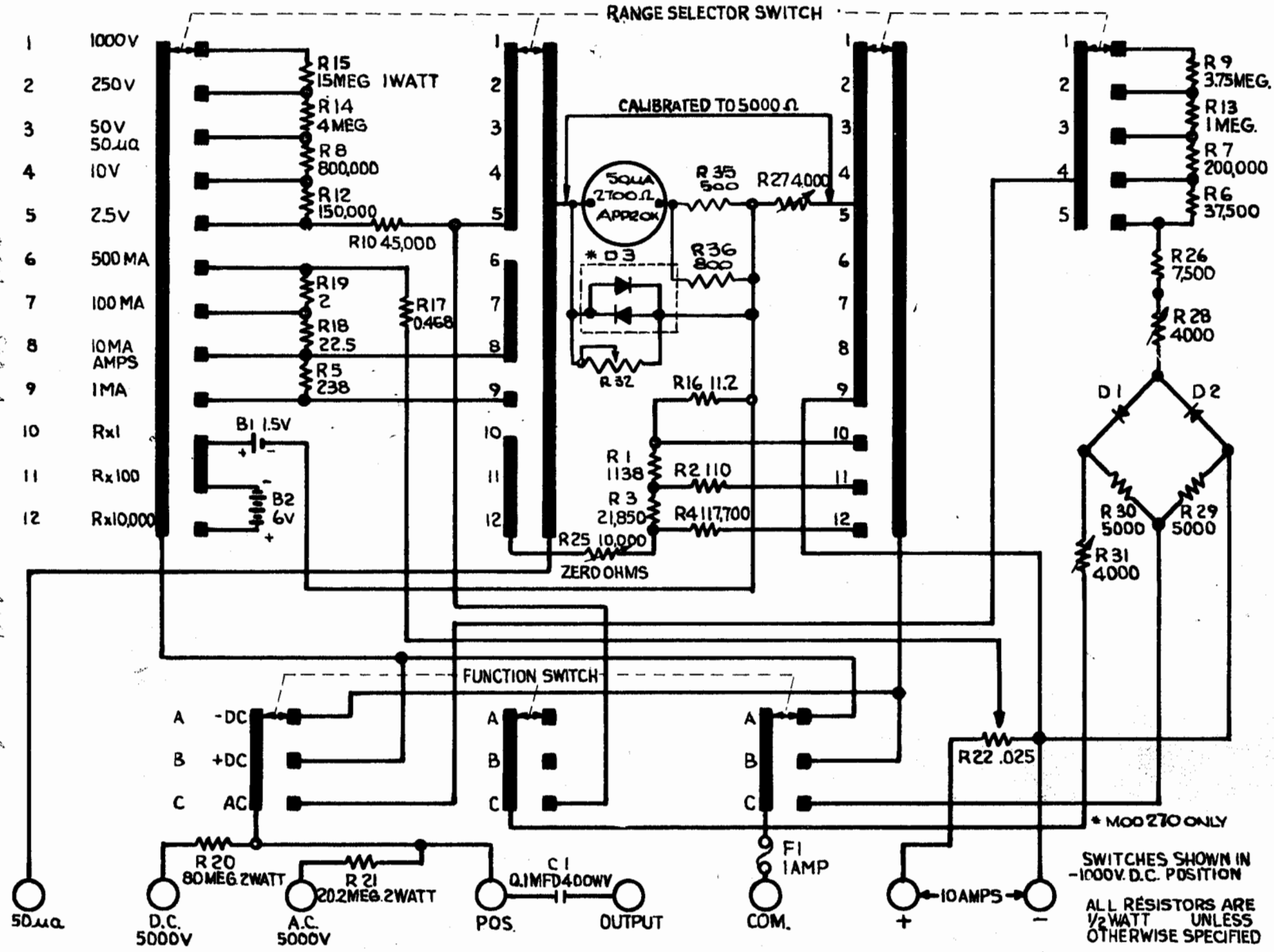


# SIMPSON 260-5 and 270-5 VOM SCHEMATIC

ET/A/T

FACE - 500V, 500mA, 100V AC, RX1 reads



ELECTRONICS DEPARTMENT  
 NORTHERN ALBERTA INSTITUTE OF TECHNOLOGY  
 EDMONTON ALBERTA

Handwritten initials and markings at the bottom left corner.