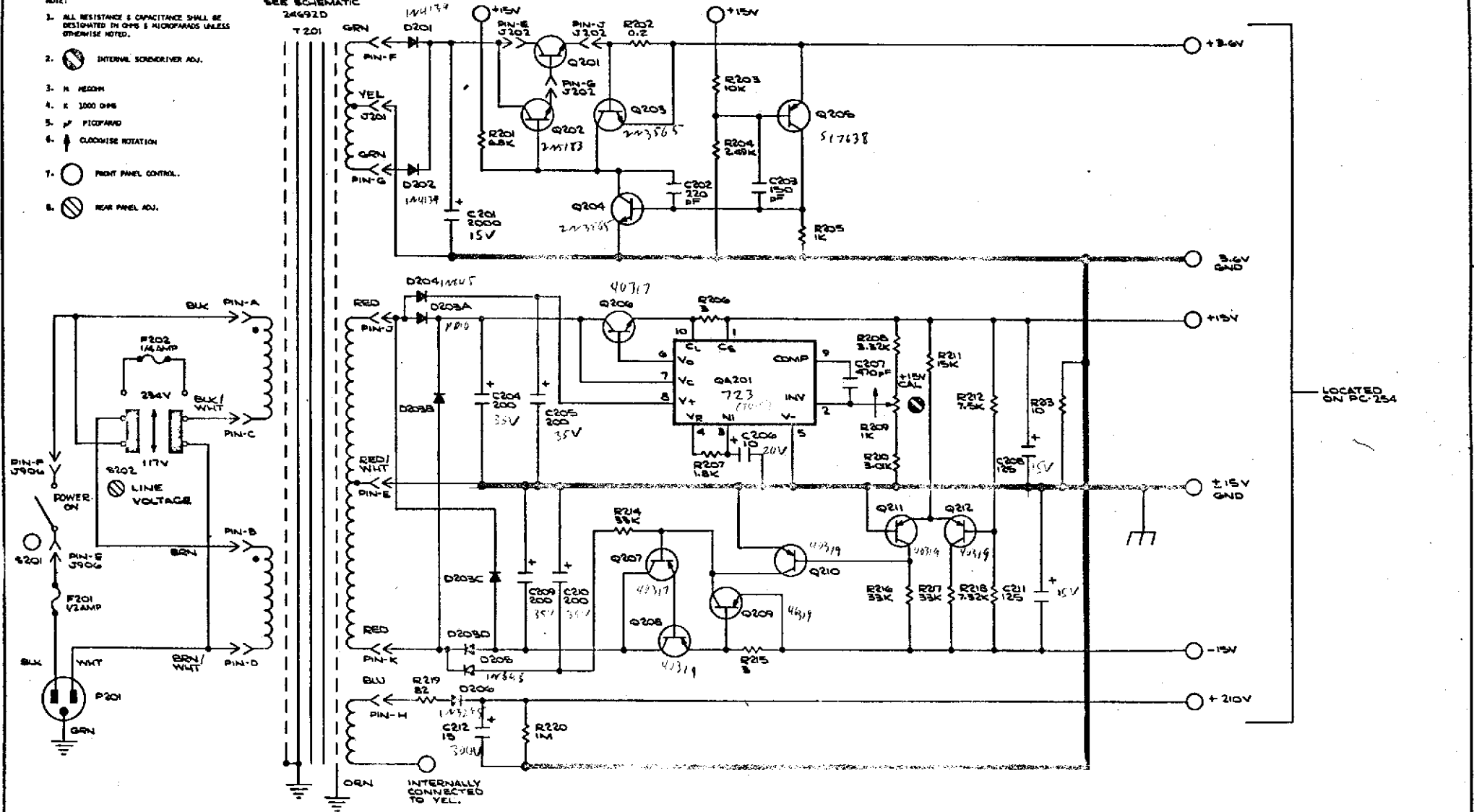


NOTE:  
 1. ALL RESISTANCE & CAPACITANCE SHALL BE DESIGNATED IN OHMS & MICROFARADS UNLESS OTHERWISE NOTED.

- 2. INTERNAL SCREWDRIVER ADJ.
- 3. M. MEDIUM
- 4. K. 1000 OHMS
- 5. PICTOGRAM
- 6. CLOCKWISE ROTATION
- 7. FRONT PANEL CONTROL.
- 8. REAR PANEL ADJ.

J906  
 (PINS 'A' THRU 'K')  
 SEE SCHEMATIC  
 24692D



LOCATED ON PC-254

REFERENCE DESIGNATIONS NOT USED				

HIGHEST REFERENCE DESIGNATION				
R220	D206	F202	S202	C22
Q212	P201	Q201	J906	T101
J202				

DO NOT SCALE THIS DRAWING

HEATHLEY INSTRUMENTS CLEVELAND OHIO

DATE: 11/15/68 SCALE: 1"=1" ORIGINAL: 11/15/68

24694D