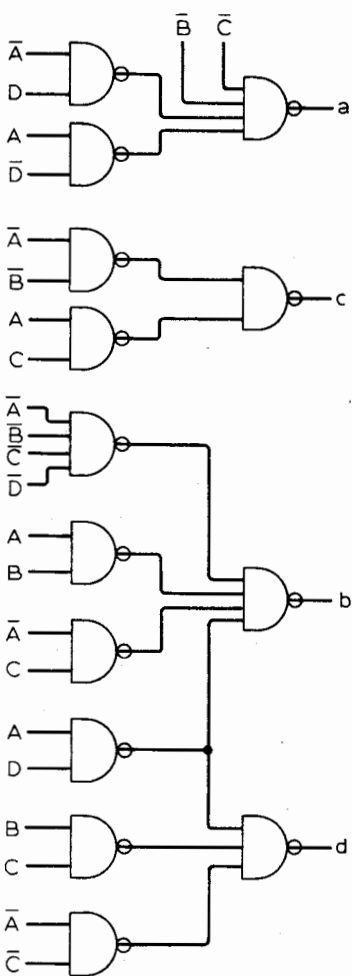


INSTRUMENT READ-OUT IN BRAILLE

I refer to J. M. Osborne's letter (July 1975 issue) concerning the possibilities of Braille digital meters. There is little problem concerning the digital decoder for b.c.d. to Braille, and the circuit shown using five s.s.i. chips will do the job at about £1 per digit. In addition the scheme can easily be extended, if desired, to read scale factor, units and decimal point. For higher volumes a p.l.a. would be more compact.



The problem lies in constructing a suitable Braille transducer. The obvious solution of four solenoid/lever arrangements per digit would do the job, but on the grounds of size and power consumption a more sophisticated solution involving perhaps hydraulics would lead to a more satisfactory solution. If any reader has any ideas on the matter or who has knowledge of a commercial Braille readout I would be glad to hear from him.

S. J. Cahill,
Ulster College, The Northern Ireland
Polytechnic, Jordanstown Newtown-
abbey, Co. Antrim.