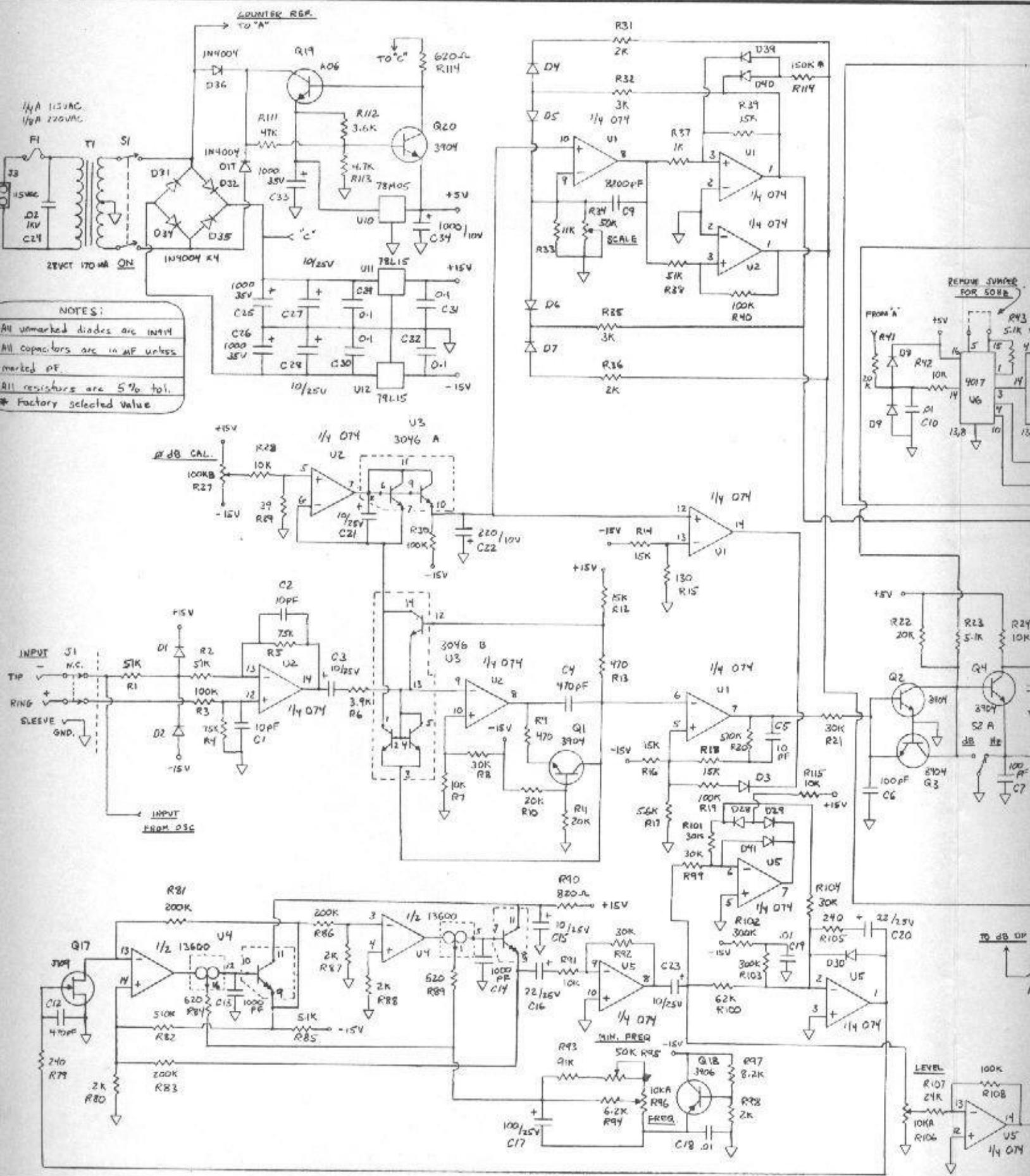


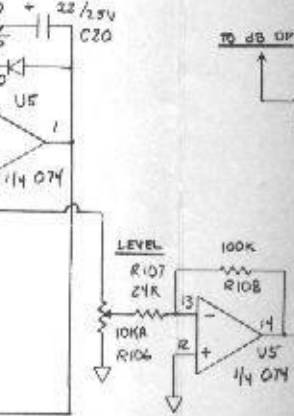
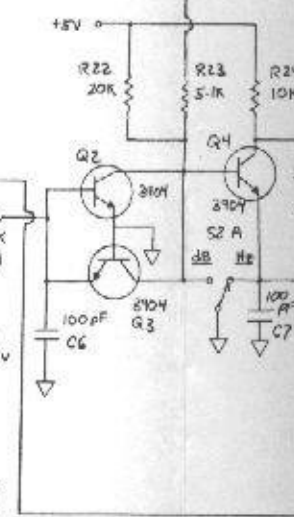
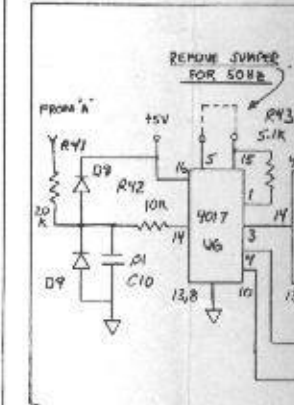
- NOTE 1:
 1. All components are to be used as specified unless otherwise noted.
 2. All components are to be used as specified unless otherwise noted.
 3. All components are to be used as specified unless otherwise noted.
 4. All components are to be used as specified unless otherwise noted.

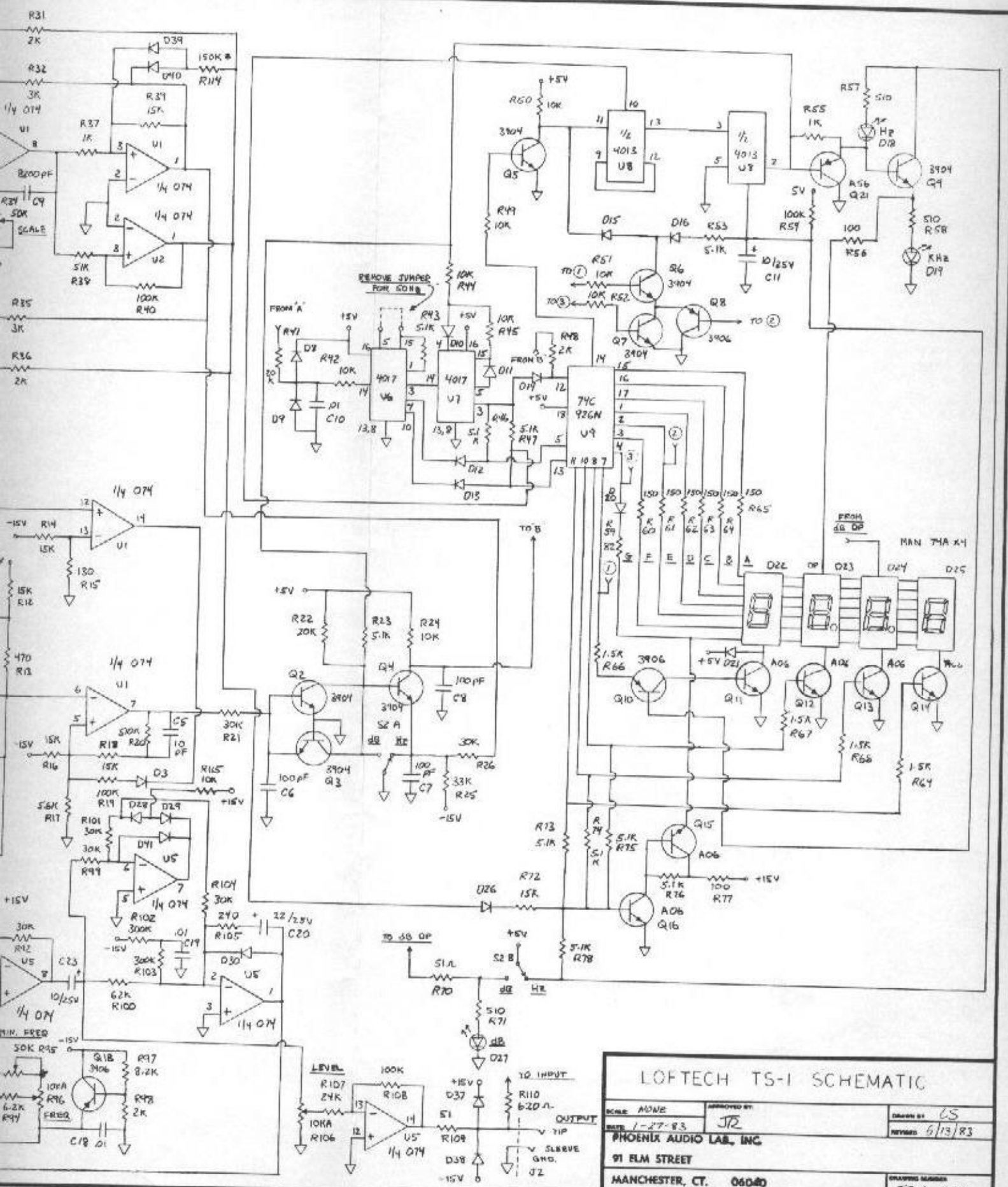
LOTECH TS-1 SCHEMATIC

DATE: 1957-11-15
 DRAWN BY: J. W. HARRIS
 CHECKED BY: J. W. HARRIS
 PROJECT: AUDIO LAB, INC.
 11 BIA STREET
 HARTFORD, CT. 06108



NOTES:
 All unmarked diodes are 1N4148
 All capacitors are in μF unless marked pF
 All resistors are 5% tol.
 * Factory selected value





LOFTECH TS-1 SCHEMATIC

SCALE: NONE	APPROVED BY: <i>JTJ</i>	DRAWN BY: <i>CS</i>
DATE: 1-27-83	REVISION: 6/13/83	
PHOENIX AUDIO LAB, INC.		
91 ELM STREET		
MANCHESTER, CT. 06040		
DRAWING NUMBER: TS-1 001		