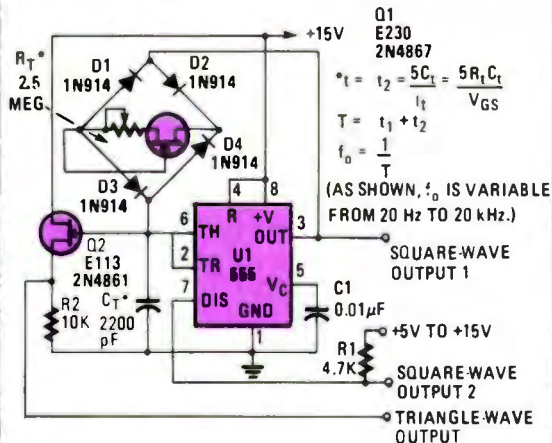
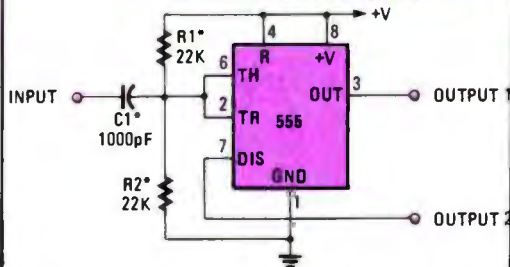


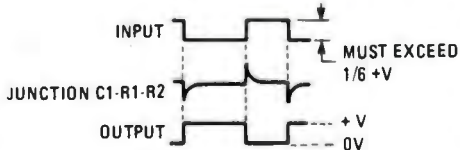
WIDE-RANGE SQUARE-WAVE/TRIANGLE-WAVE GENERATOR



INVERTING BISTABLE BUFFER



TIMING DIAGRAM



*TIME CONSTANT $RC < 10\mu s$ ($C = C_1$; $R = R_1 \parallel R_2$)