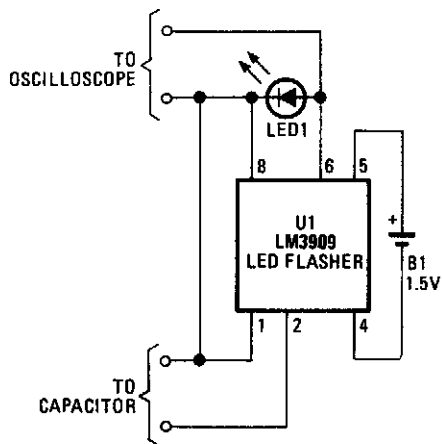


SIMPLE CAPACITOR TESTER



An LM3909 LED flasher is used as an oscillator, and the capacitor connected to the terminals determines frequency.

C	f approx
4 700 μF	0.04 Hz
470 μF	0.4 Hz
4.7 μF	4 Hz
0.047 μF	4 kHz
0.004 7 μF	25 kHz
47 μF	660 kHz

The LED can be used to count frequency visually using a stopwatch for large capacitors ($C > 500 \mu\text{F}$).