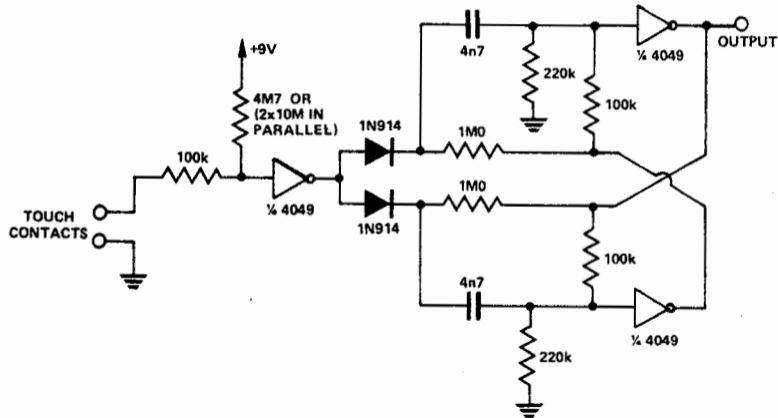


Touch Switch

Paul Tannard



A nice simple little circuit – a touch switch and flip-flop built from one CMOS IC.

The advantage of having a flip-flop on the output of a touch switch is that it then becomes touch-on, touch-off. A further gain is that, if you're inputting single pulses to some sort of counting circuit, it makes a very positive debounce circuit. Remember that if you are using it for this purpose and you wish to hang a LED off the end to show you what's happening at the output, you can drive the LED by using one of the unused gates in the package as a buffer and connecting it to the other output of the flip-flop. That is, unless you want to build two of the switches from one package!