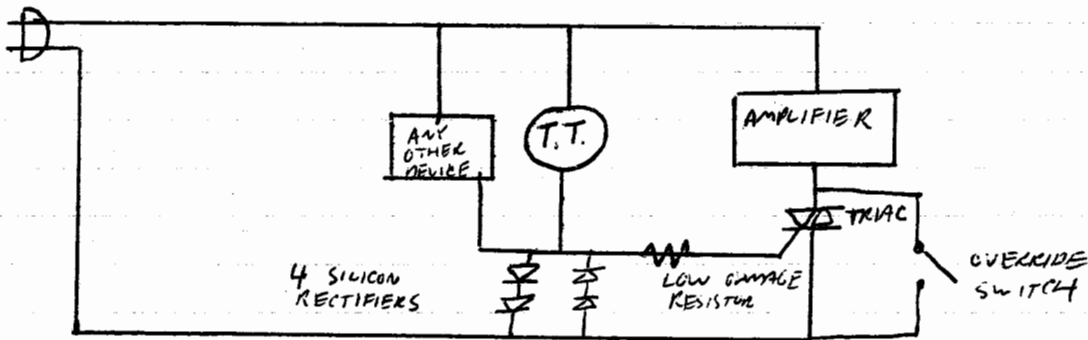
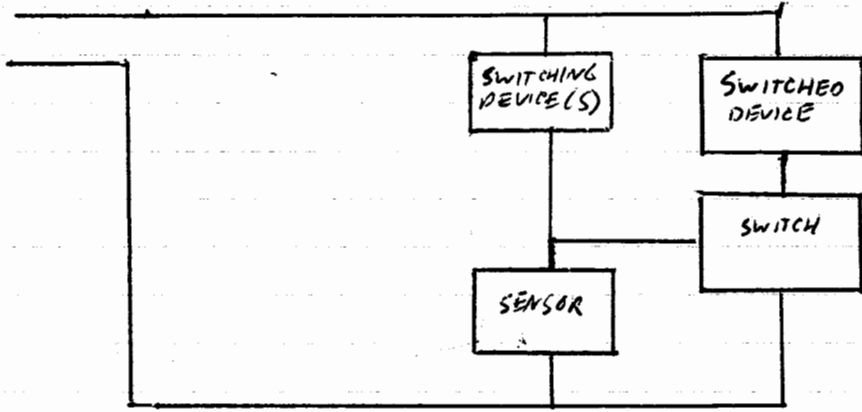


POWER INPUT

Aug 27/73
D. F. ...

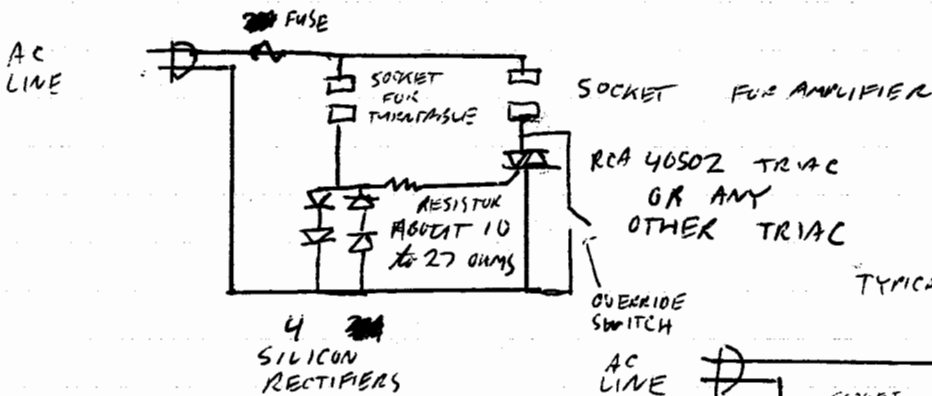


OR
12 GERMANIUM
RECTIFIERS

TT = TURNTABLE

RECTIFIERS ARE ALSO CALLED DIODES.

TYPICAL ADD-ON UNIT



TYPICAL BUILT IN UNIT

In effect the turntable is the controlling element. When the turntable starts, the amplifier turns on & when the turntable shuts itself off, the amplifier also shuts off.

