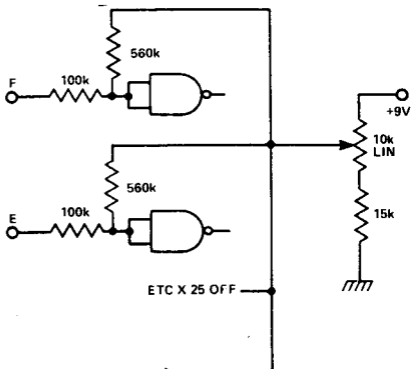


Organ Modification

I. Cole

One of the problems with the ET Touch Organ (December 76) is that the people's skin resistance varies enormously and with the 4M7 pull up resistors as specified, when a person with moist skin touches the keyboard the note is sustained for several seconds even when the finger is removed.



This modification provides a solution in the form of a sensitivity control.

The pull up resistors are removed and replaced by 560k resistors stood vertically on the board. The free ends of the resistors were then joined with a piece of rigid wire and connected to the wiper of the "sensitivity" pot.