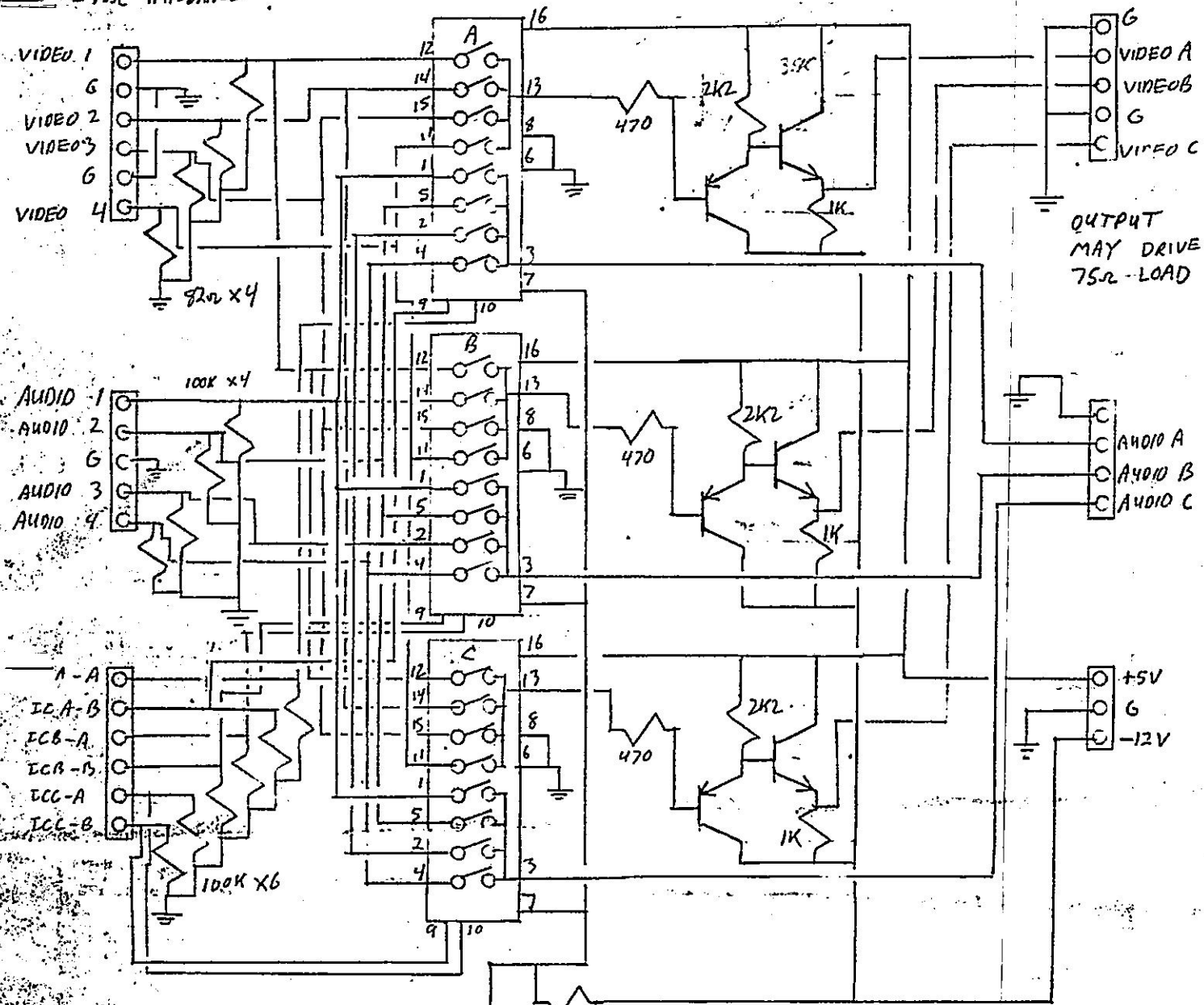


OUTPUTS

75Ω IMPEDANCE



OUTPUT MAY DRIVE 75Ω LOAD

OUT	A	B
1	0	0
2	1	0
3	0	1
4	1	1

NPN = 2SC1815
 PNP = 2N3638A
 IC = CD4052

Audio/Video 4 Input / 3 Output Switching Unit

Input/Output connections are laid out on the schematic the same as the prototype board

July 30, 1987
 Dan Fraser
 Vancouver B.C.
 For Lotus Innovations