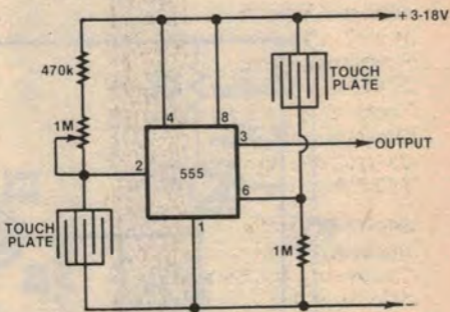


# Inexpensive Touch Switch



The two internal comparators of a 555 timer IC are used to detect voltage changes when the leakage across a "touchplate" is varied by the application of a "finger". When the resistance across the touchplate connected to pin 2 is reduced, the output (pin 3) will go high, and may be used to activate other circuitry.

If it is desired to obtain a "low" output, use the touchplate connected to pin 6. The  $1\text{M}\Omega$  trimpot is used for setting the quiescent state of the 555, according to which output mode is required.

A suitable touchplate could be made by etching a small piece of printed circuit card in some sort of maze arrangement as shown. Remember to keep the touchplates clean and dry.

M. Samerski,  
Sutherland, NSW.