

Experimenter's Corner

By Forrest M. Mims

THE SCHMITT TRIGGER

THE SCHMITT TRIGGER is a bistable (two-state) circuit with several useful applications, including threshold detection, signal conditioning, and sine-to-square wave conversion. In this column, we'll look at some practical circuits after we've learned the Schmitt trigger's operating principles.

Fig. 1 shows how you can make a Schmitt trigger from two of the inverters in a 7404 IC or half of a 7400 quad NAND gate. The Schmitt trigger consists of the two logic elements and resistors *R2* and *R3*. Voltage divider *R1* provides a variable input voltage to the Schmitt trigger, and the LED indicates when the circuit has triggered.

If we assume *R2* is disconnected from the wiper of *R1*, what happens? The TTL gates we're using interpret an open input as a logic 1. Therefore, the first gate inverts the logic 1 to a logic 0, the second gate inverts the 0 to a 1, and the LED turns on.

Now let's connect the wiper of *R1* to *R2*. When *R1* is adjusted so that *R2* is at or near ground, the logic state at the input to the first gate is logic 0. Therefore, the LED turns off.

As *R1*'s wiper approaches the positive supply, an increasingly positive voltage is applied to the input of gate 1. The output of this gate will switch from 1 to 0 when the input voltage exceeds the logic 1 threshold. However, *R3* provides a

negative feedback voltage which requires that the input voltage from *R1* rise somewhat beyond the logic 1 threshold before the output of gate 1 changes states. When this happens, the output of gate 2 immediately switches from 0 to 1 and the LED turns on.

When the wiper of *R1* approaches ground, positive feedback voltage from *R3* requires that the input voltage from *R1* be somewhat lower than that which normally switches the output of gate 1 from logic 0 to 1. When the output of gate 1 goes high, the output of gate 2 immediately switches from 1 to 0 and the LED turns off.

The result of this feedback path is two distinctive switching voltages for the circuit. The LED turns on at one voltage, and then turns off at another, somewhat lower, voltage.

These switching points are called *trip* or *threshold* points. The region between them is called the *hysteresis zone*. Fig. 2 shows how the hysteresis zone looks when the circuit's response is plotted on a graph. The hysteresis of a Schmitt trigger is important because it prevents unwanted oscillation. If the two switching points were identical, the circuit would tend to oscillate when the input was at or near the switching voltage.

You can build the circuit in Fig. 1 on a solderless prototyping breadboard in a minute or two to observe its operation.

Connect a voltmeter between the wiper of *R1* and ground so you can measure the trip voltages. Then rotate the potentiometer's shaft so the wiper approaches ground. The LED will go off.

As you slowly rotate *R1* in the opposite direction, the LED will suddenly switch on and the meter will read about 1 volt. When you rotate *R1* back toward

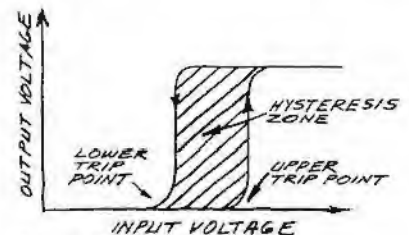


Fig. 2. Hysteresis curve for a Schmitt trigger circuit.

ground, the LED will switch off when the meter reads about 0.5 volt.

Here are the exact trip voltages I measured using the components shown in Fig. 1 and a 5-volt power supply:

Trip Voltages		
	7400	7404
ON	1.12	1.08
OFF	.47	.58

The 7413 Dual Schmitt Trigger.

Several TTL and CMOS Schmitt triggers are available. One low-cost TTL IC is the 7413 dual Schmitt trigger. You can buy this 14-pin DIP for less than 50 cents (only a quarter per trigger!)

Recently, I used one of these handy chips to perform two completely different

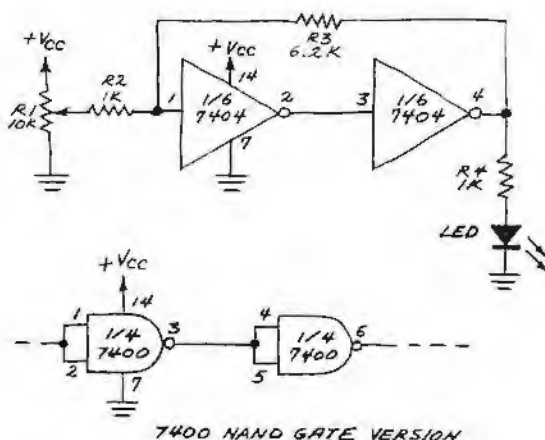


Fig. 1. A basic two-inverter Schmitt trigger.

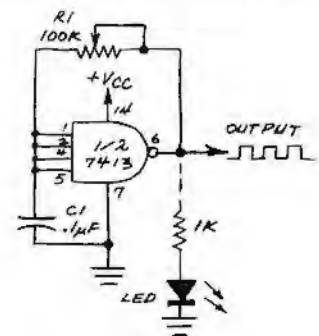


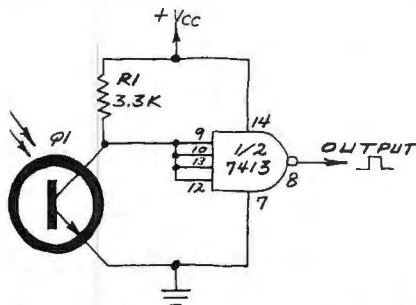
Fig. 3. Connecting one of the two triggers in the 7413 as an oscillator to provide pulses.

operations in a digital controller circuit. One of the Schmitt triggers was connected as a variable frequency oscillator to provide a clock for the controller circuit. The other was used as a threshold buffer for a phototransistor at the input of the controller. Let's look at both these applications.

Schmitt Trigger Oscillator. Fig. 3 shows how to connect one of the two Schmitt triggers in the 7413 as an oscillator that provides a reasonably stable source of pulses with fast rise and fall times. The frequency of oscillation and the pulse width are determined by $R1$ and $C1$. With the values shown, the pulses have an amplitude of 2 volts, a width of 25 microseconds, and a rise time of less than 100 nanoseconds. The oscillation frequency can be varied from a low of 70 Hz to a high of about 300 kHz by adjusting $R1$.

Increasing $C1$ to 100 microfarads will reduce the frequency of oscillation to a few Hertz, making the circuit useful as a light flasher or visual logic indicator. For the latter application, remove the connection to pin 1 and replace it with a suitable probe. When the probe is floating or connected to $+V_{CC}$, the LED will flash. When it's connected to ground, the LED will glow continuously.

Schmitt Trigger Threshold Buffer. Using the other half of the 7413 as a threshold buffer for a phototransistor is illustrated in Fig. 4. Assume the light



Q1—ANY NPN PHOTOTRANSISTOR

Fig. 4. Using half of a 7413 as a threshold buffer for a phototransistor.

reaching phototransistor $Q1$ varies in intensity or flickers. When the light level at $Q1$ is high, the phototransistor turns on and provides a low resistance path from the input of the Schmitt trigger to ground. Thus the trigger switches high. When $Q1$ is dark, its resistance is high and the low resistance path to $+V_{CC}$ through $R1$ forces the output of the Schmitt trigger low. Incidentally, these switching conditions are reversed from those of the two-gate Schmitt trigger in Fig. 1 because the outputs of the 7413 are inverted.

The net result of all this is that the Schmitt trigger cleans up erratic signals and converts them into more easily processed pulses. Fig. 5 illustrates this graphically.



Fig. 5. How a Schmitt trigger cleans up an erratic waveform.

Other Applications. After a little experimentation, you will be able to come up with Schmitt trigger circuits of your own. For starters, try a bounceless pushbutton. Or build a sine-to-square wave converter. You can also try using a

Schmitt trigger in some monostable multivibrator applications. Finally, be sure to experiment with Schmitt trigger IC's, such as the 7414 TTL chip with six Schmitt triggers, and the 4093 and 4584 CMOS Schmitt triggers. ◇

SAVE!

MONEY • TIME • FREIGHT

- ♪ QUALITY STEREO EQUIPMENT AT LOWEST PRICES.
- ♪ YOUR REQUEST FOR QUOTATION RETURNED SAME DAY.
- ♪ FACTORY SEALED CARTONS—GUARANTEED AND INSURED.
- ♪ SAVE ON NAME BRANDS LIKE:

PIONEER	SANSUI
KENWOOD	DYNACO
SHURE	SONY
MARANTZ	KOSS

AND MORE THAN 50 OTHERS
BUY THE MODERN WAY
BY MAIL—FROM

ia

illinois audio

12 East Delaware
Chicago, Illinois 60611
312-664-0020

CIRCLE NO. 30 ON FREE INFORMATION CARD

Cramped for Antenna space?

The MCKAY DYMEK DA 100.

The DA 100 is a compact, wide dynamic range, broadband, untuned, omni-directional receiving antenna covering the frequency range of 50 kHz to 30 MHz.

The exterior module, a small weather-proof box with a 56 inch (142 cm) whip delivers the signal to the power supply unit through a supplied 50' coaxial cable.

The power supply locates near your general coverage receiver and attaches with a supplied patch cord.

The DA 100 antenna is small, but will equal or outperform a 100' long wire antenna, and is priced within reach of everyone!

Output Impedance - Attenuator Switch provided to match receiver input requirements and prevent overload.

Order factory Direct. Call toll free today! Money Back guarantee. Rent/Own Plan available. Specs and details on request.

Nationwide 800/854-7769

California 800/472-1783

McKay Dymek Co.
111 South College Ave.
Claremont CA 91711

CIRCLE NO. 23 ON FREE INFORMATION CARD

World Radio TV Handbook 1978

An Indispensable Reference for Anyone With a Working Interest in International Radio and TV

The most complete and authoritative guide to broadcasting and television stations around the world, the new WRTV HANDBOOK 1978 features names and addresses (by country) of stations and officials, program data (including frequencies, wave lengths, call signs), a special editorial section—and much, much more—for only \$11.95. Order your copy today for a FREE 10-DAY EXAMINATION.

To: Billboard Publications
2160 Patterson Street,
Cincinnati, Ohio 45214

Please send me _____ copy (copies) of the WORLD RADIO TV HANDBOOK 1978 @ \$11.95. A check or money order is enclosed, including applicable sales tax in the states of NY, OH, MA, CA, TN, NJ. I understand that if I am not satisfied with my purchase, I may return the book(s) within 10 days for full credit or refund.

Name _____

Address _____

City _____

State _____ Zip _____

Signature _____

2198

CIRCLE NO. 53 ON FREE INFORMATION CARD