

[Sony Service]

Technical Services

Electronic Service Information

Field Problem Reports

FPR Number:
Submitted by: Tremble, C.
Engineer: TC

Model(s):
DVPS560D

Subject: No part number listed for IC101
Symptom:
Last Update: 2001-05-08
Status: Closed

Customer Description:
Missing Part Number
Solution:
IC101 Part# 9-885-005-99

Technical Description:
No part number is listed for IC1010 in s/m for board SRV940JUC. Schematic is also incorrect in calling IC101 an - ON3131. A ON3131 is an opto isolator. IC101 is drawn as a power control FET type integrated circuit.

Part's Information:

P/N	Description	Reference	Board	Symptom
9-885-005-99	SRV940JUC	IC101		

Model: DVP-S360, DVP-S560D, DVP-S570D, DVP-C660, DVP-C670D **No. 68**

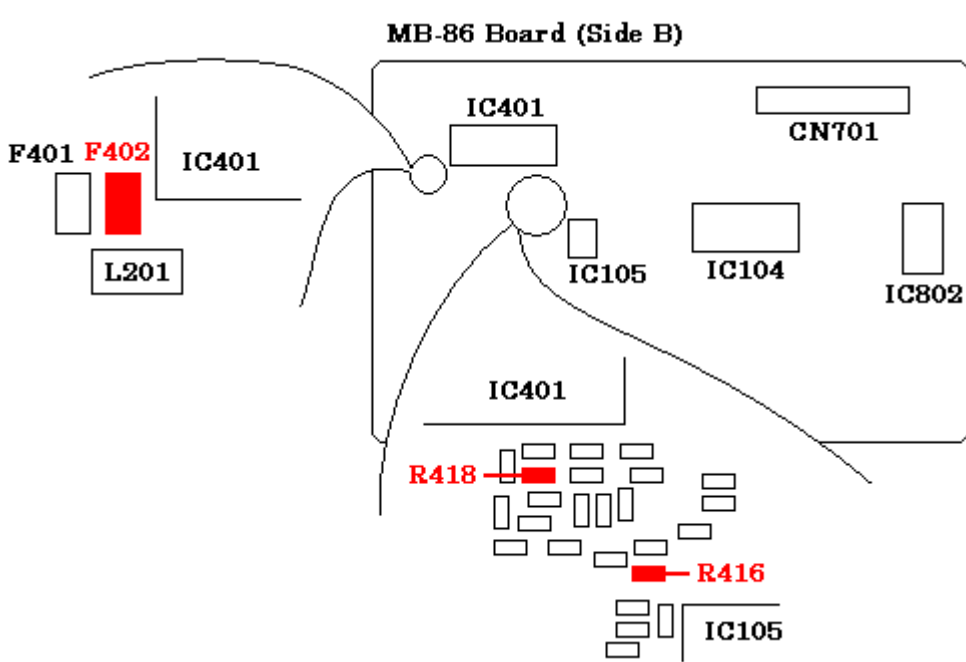
Subject: PLAYER MAY NOT PLAY CD/DVD OR VCD **Date:** September 8, 2000

Symptom:
(111A) The DVD player may not play disc. The display may indicate "No Disc "or C:13:00"

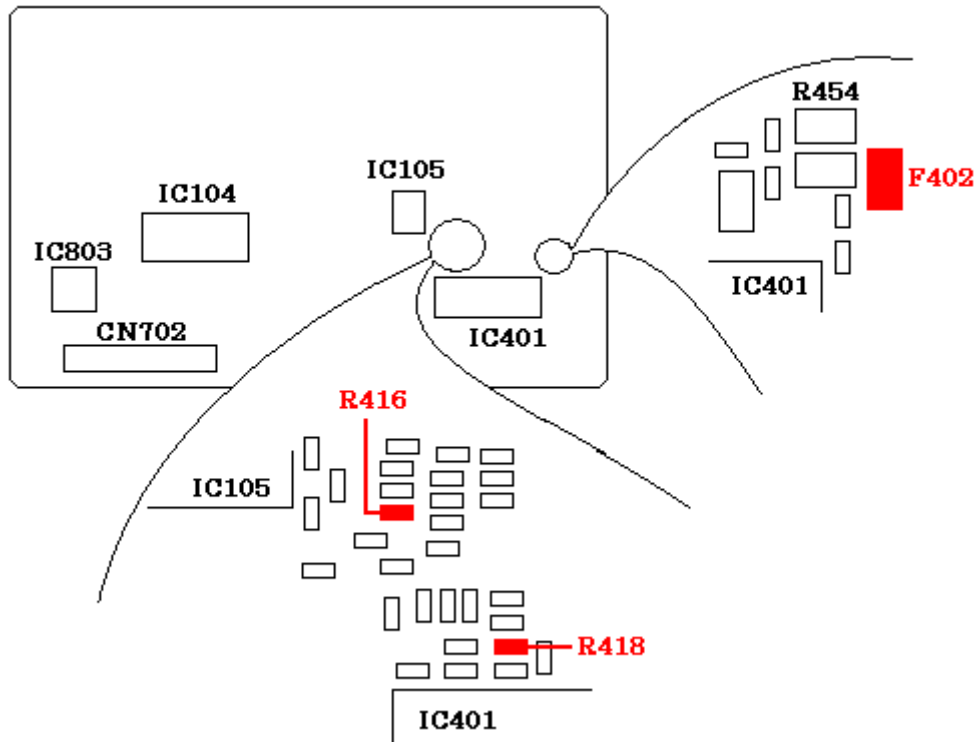
Solution: Please remove fuse F402 and replace with 0-ohm resistor on MB board (side B). Next, exchange resistors R416 and R418. The original values are 150K, change them both to 82K ohms

REF	DESCRIPTION	PART NUMBER
F402	CONDUCTOR, CHIP(2012) METL RES 0H 1/10W	1-216-295-11
R416/ R418	RESISTOR,CHIP 82K 1/16W	1-216-844-11

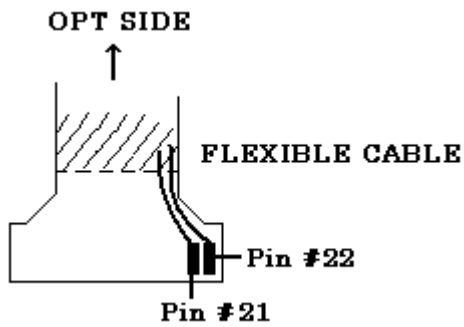
There are 2 types of MB-bds depending on model. DVPS360, Dvps560D, DVPS570D (mb-86) DVPC660, DVPC670D is (mb-87)



MB-87 Board (Side B)



3. Measure the resistor between Pin # 21 & Pin # 22 of the Flexible Cable, which is connected with the OPT. (See the figure below.) If the resistor between Pin # 21 & Pin # 22 is below 6 ohms, replace the OPT to the new one.



4. Please do servo adjustment, after replacing components and/or optical.