

**SONY**

Hi-Fi Products  
**Service Bulletin**

Sony Service Company - Technical Services  
A Division of Sony Corporation of America  
Sony Drive, Park Ridge, New Jersey 07656

**Model:** CDP35,40,55,65,203

**No. 8**

**Subject:** Intermittent No Eject

**Date:** February 25, 1988

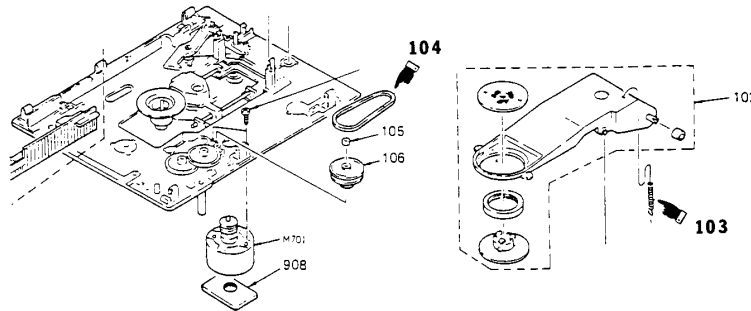
**Symptom:**  
(65)  
Intermittent no eject.

**Solution:**

Replace the LM belt and the tension spring with the new parts listed.

Please note that on CDP35 and 40, the LM belt has a number reference of 105 instead of 104 as is shown below.

Ref. Number	Description	Part Number	
		Former	New
103	Tension Spring	4-913-792-01	4-913-796-01
104	LM Belt	3-653-387-00	4-913-797-01



Reference:

PRINTED IN U.S.A.  
CSA-13288-6

CSA-13 Compact Disc