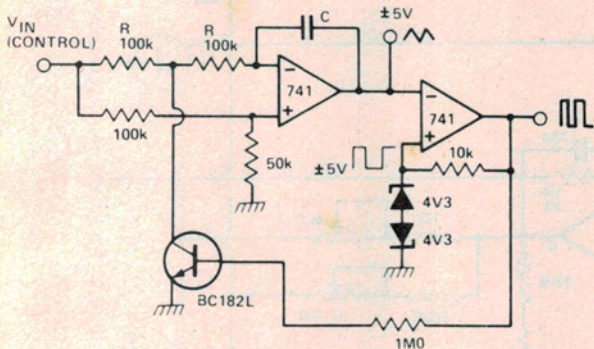


# Linear VCO



Triangle and square wave outputs

Output frequency  $F = (1.667 \times 10^{-7} \times V_{IN})/C$  Hz

If  $C = 1n0$  and  $V_{IN} = 10V$ , then  $F = 1.66$  kHz

Changing both  $R$ 's from 100k to 10k will increase  $F$  by  $\times 10$

For low frequencies use TL081 op-amps

Frequency range 0.1 Hz to 10 kHz