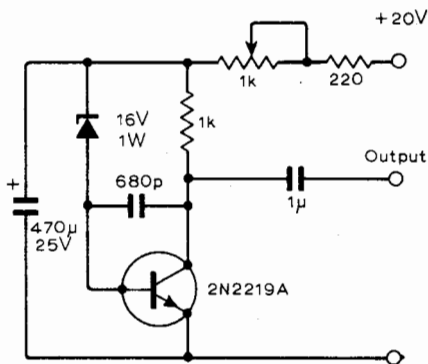


Simple noise generator

THE CIRCUIT shown was used as an emergency noise generator because it can be assembled quickly. Noise from this generator falls in the audio range and the wideband level is over 1V, ad-



justable to zero by the potentiometer. Without the 680pF capacitor the noise extends up to 30MHz with a wideband level of more than 5V.

If lower zener and supply voltages are used, the noise level is reduced drastically.

D. Di Mario,
Yeoville,
Johannesburg,
South Africa.