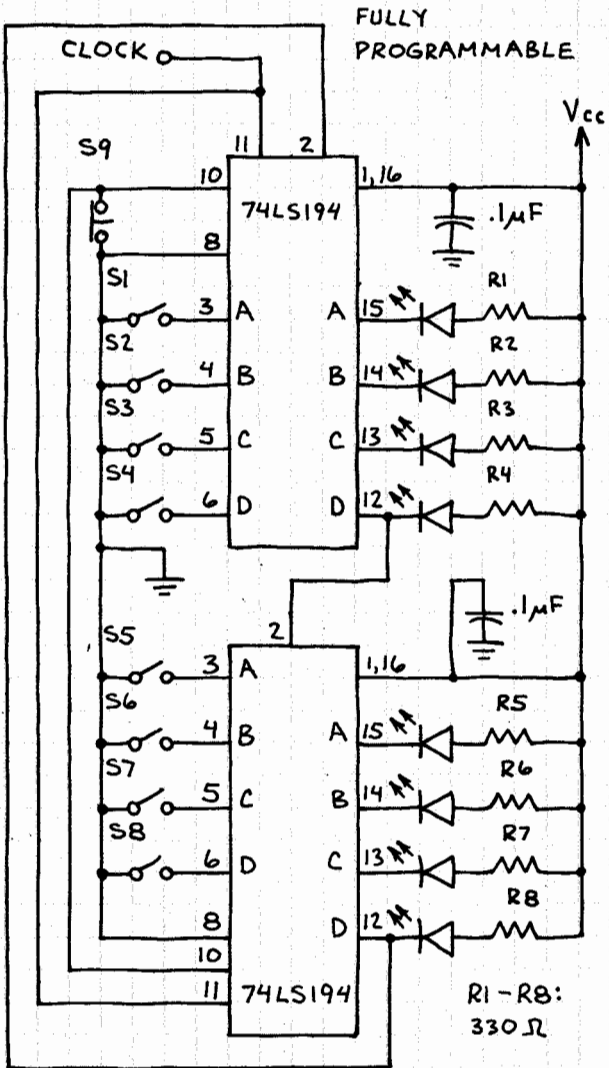


SEQUENCE GENERATOR



LOAD ANY DESIRED BIT PATTERN INTO S1 - S8 (OPEN = HIGH AND CLOSED = LOW). PRESS S9 (NORMALLY CLOSED) TO LOAD. DATA WILL MOVE RIGHT ONE OUTPUT PER CLOCK PULSE. LEDs ARE OPTIONAL.