

# A Simple Utility Oscillator

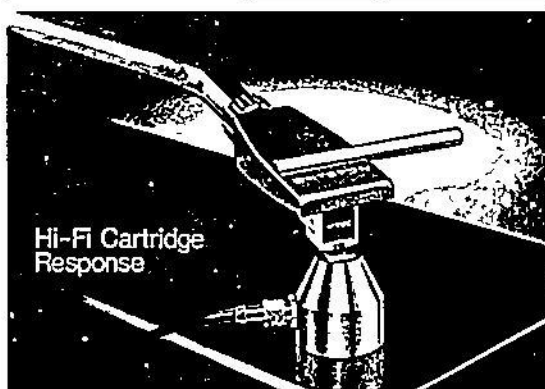
*For under \$10, you can create a single frequency low distortion oscillator for quick checks, ringing out lines, and other studio duties.*

**M**OST SIMPLE OSCILLATORS that are small enough to be practical suffer from an overabundance of distortion which precludes their use in many studio applications. The unit described here is small enough to plug directly into a patch panel, (don't forget where you left it); it will deliver a minus 6

vu all day, and do it at less than 0.8 per cent distortion. Typical distortion measurements are in the area of 0.4 per cent. It is possible to get the distortion down to less than 0.1 per cent but it isn't practical to keep it there. The intended purpose was to make a single frequency low distortion oscillator for quick distortion checks, ringing out lines, and other general studio uses.

In designing the device, the parallel tee phase shift oscillator depicted in FIGURE 1 looked like a good place

**Technical Review**  
To Advance Techniques in Acoustical, Electrical and Mechanical Measurement  
No. 2 1976



**Hi-Fi Cartridge Response**

Request your copy of this new report describing use of an accelerometer as a vibration generator to test high frequency and impulse response of phonograph cartridges. Provides absolute calibration of cartridges up to 50 kHz. Eliminates errors normally encountered in conventional test methods.

**B&K Instruments, Inc.**  
Ernst & Kjaer Precision Instruments  
5111 W. 184th Street, Cleveland, OH 44142 / Phone: (216) 267-4800


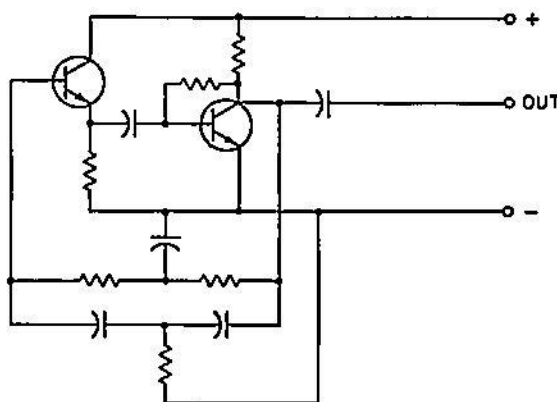


Figure 1. Basic phase shift (parallel tee) oscillator approx. 15 per cent distortion, must see high Z load. (See Figure 4 for values.)



*Everett Fruitman is an engineer at KOOL Radio & T.V., in Phoenix, Arizona.*

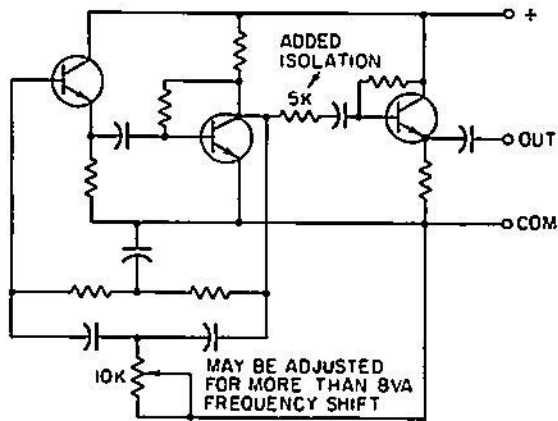
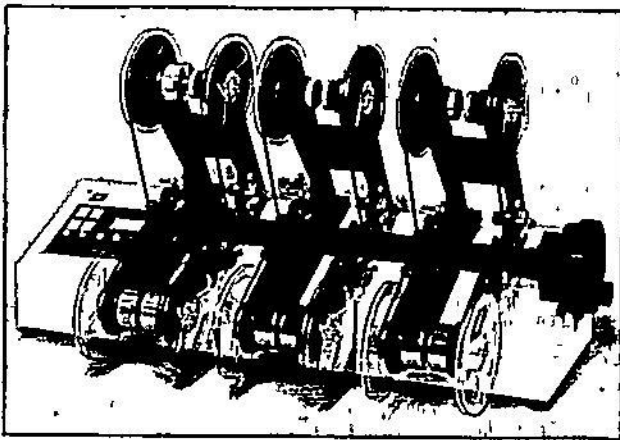


Figure 2. Basic phase shift oscillator with emitter follower. Will drive medium Z load. May be adjusted for more than 8 VA frequency shift.

to begin since it was supposed to be fairly stable and have a reasonable level of distortion. Before the stability or distortion could be measured, it was necessary to reduce the output impedance to a usable level because any change in load resistance at the collector of  $Q_2$  shifted the frequency. This was neatly resolved by using an emitter

follower for isolation. (A J fet would have been better, but wasn't handy when this was put together.)

The next thing that became evident was the fact that there was about 18 per cent distortion in the 3-stage system. The usual quick cure-all consisting of bias and voltage juggling didn't do enough, and a mathematical analysis



## The fast, sure way to professional quality dubs

Garner Model 1056 is the professional's answer to low-cost, high-quality, fast dubbing. Here's why: Five 1200' copies in four minutes. Single capstan drive provides constant speed. Solid-state electronics and custom-made head guarantee uniform frequency response ( $\pm 1$  db max. of master from 50 Hz to 15 KHz) 30 or 60 lps. Rewinds in 60 seconds. Built to last for years.

Garner Model 1056 is the best duplicator buy today. Costs less than half of some competitors. We'd like to prove to you just how good it is. Write or call today for a brochure and specifications.



**GARNER INDUSTRIES**  
4200 N. 48th St. - Lincoln, NE 68504 - 402-464-5911

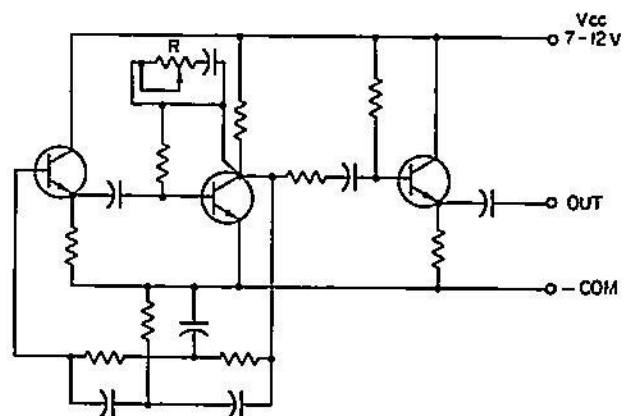


Figure 3. Low distortion oscillator with negative feedback, suitable for use with fixed voltage supply. R is adjusted for low distortion.

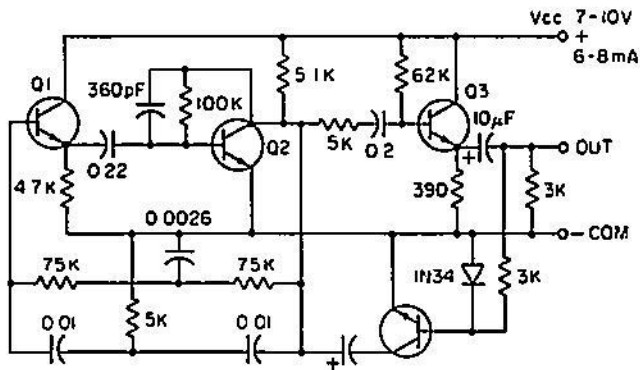


Figure 4. Low distortion oscillator with negative feedback and agc approx. 1 kHz. For balanced output use MT 26FB. 2N2926 may be used for Q1-4. 2N1171, 2N2102, 2N3053.

wasn't all that practical or helpful either

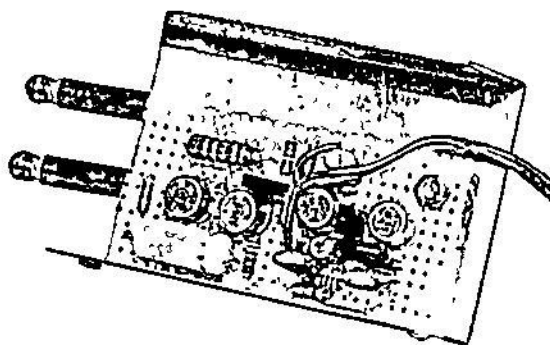
If a balanced output is required, it is a simple matter to add a small 1:1 transformer. However, there have been no difficulties encountered in using the units without a transformer at studio or transmitter.

The values shown in the diagrams are those that were

sive utility oscillator with long battery life, reasonable frequency stability, and low distortion. ■

#### REFERENCE

1 Terman, F. E. *Radio Engineers' Handbook*, McGraw-Hill, New York, 1943.



actually used; standard values will work equally well. It will probably cost less than \$10.00 to build one of these if all of the parts (except the transformer) are purchased new.

The net result of this effort has been a small, inexpen-

## Wipe tapes clean in record time.



### Garner Erasers

provide clean erasures in only four seconds—with no noise residue. Tapes are wiped cleaner than new. Our simple, safe, continuous belt operation handles all sizes of reels, cartridges and cassettes from 10½" on down

Garner Erasers are now fulfilling the exacting requirements of many major organizations around the world . . . yet are so low priced that the smallest studio or station can afford one

#### User reports..

"It is a big improvement over what we used to use, or anything else on the market today"

—Ric Hammond  
KNX Radio (CBS)  
Hollywood, Calif.



See us at the NAB Show  
at Booth 616 (Shorham)

### GARNER INDUSTRIES

4200 N. 48th St., Lincoln, NE 68504  
Phone 402-464-5911