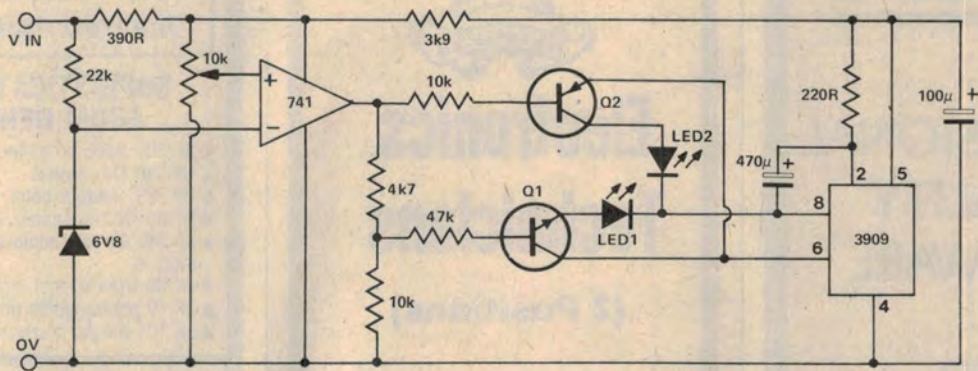


# Ideas for Experimenters



## Voltage level indicator

This circuit, by Fred Zickar of Bellambi, indicates the state of nickel-cadmium batteries in portable equipment.

LED 2 indicates a low battery voltage and the 3909 IC will make it flash when this occurs. The 3k9 resistor

in the 3909 supply line varies the brightness of the LEDs. You can change it to suit ambient lighting conditions. The potentiometer sets the required 'battery OK' voltage. The circuit draws less than 10 mA.