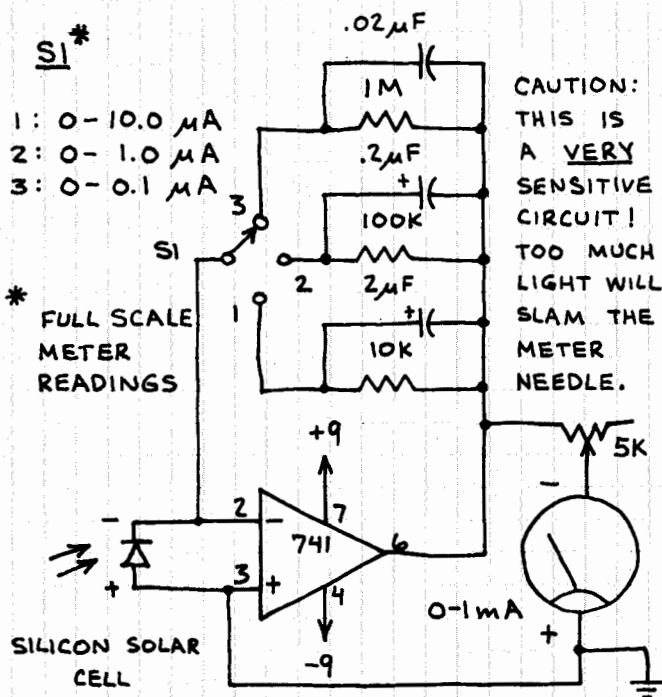


OPERATIONAL AMPLIFIER 741C

OPTICAL POWER METER



THIS CIRCUIT CAN BE USED AS A FAIRLY GOOD QUALITY RADIOMETER.