

4

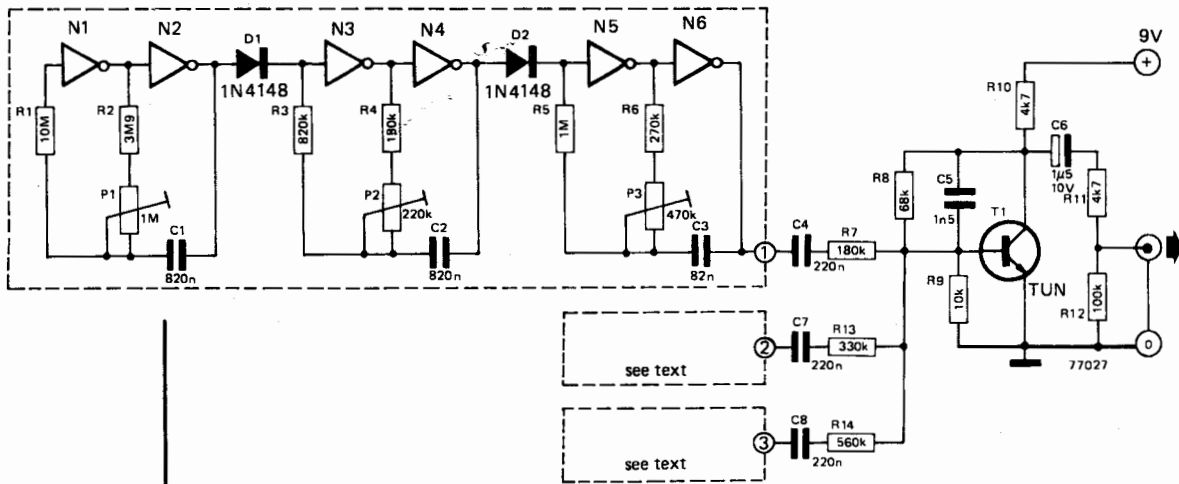
electronic scarecrow

This circuit produces a good imitation of machine-gun fire, an effect which should be sufficient to deter the most persistent of birds.

The system consists of three squarewave oscillators using CMOS inverters, all running at different frequencies. Oscillator N1/N2

speaker.

The circuit can also be used to produce background noises for devotees of wargames. For this purpose a mixing amplifier stage, T1, may be provided, and inputs from several different oscillators combined. The use of different values for the mixer input



IC1=N1...N6=4049

gates oscillator N3/N4, which in turn gates oscillator N5/N6. The result is that this last oscillator produces intermittent bursts of pulses, which makes the sound very realistic. The output can be taken from the right-hand side of C4 and be fed to an audio amplifier and suitable (weatherproof) loud-

speakers. The use of different values for the mixer input resistors R7, R13 and R14 means that the input signals will be amplified by different amounts, thus producing a more varied sound. P1, P2 and P3 can be adjusted experimentally to give the most pleasing results.