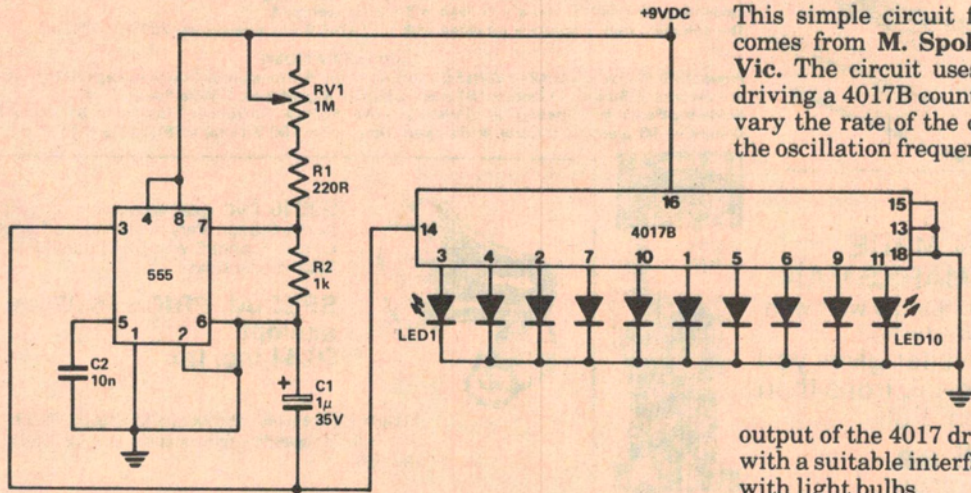


LED chaser



This simple circuit for a LED chaser comes from **M. Spokes of Glen Iris, Vic.** The circuit uses a 555 oscillator driving a 4017B counter. RV1 is used to vary the rate of the chaser by varying the oscillation frequency of the 555. The

output of the 4017 drives ten LEDs, but with a suitable interface it could be used with light bulbs.