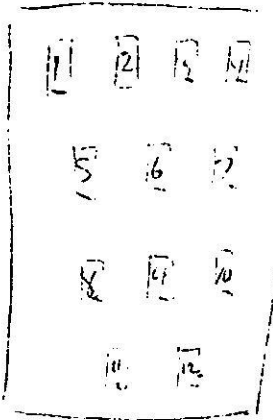


FRASER ELECTRONICS

P.O. BOX 778 · EDMONTON, ALBERTA T5J 2L4 · (403) 428-9655

OUTPUTS PCB



IC 1,2,3,4,9,12 = 7406

IC 5,6,7 = 74157

IC 8,9,10 = 7475

LINE #	7406 INPUTS		7406 3/A	7475 INPUT	7406 O/P.	7475 OUTPUT	* JONES PLUG PIN #	IC 11/12	
	GFP A	Bpin B						IN	OUT
1	5-2	5-3	5-4	1-1 1-3	8-2	1-2 1-4	8-16	1	11-1 11-2
2	5-5	5-6	5-7	1-5	8-3	1-6 1-8	8-15	2	11-3 11-4
3	5-11	5-10	5-9	1-13 1-11	8-6	1-12 1-10	8-10	3	11-5 11-6
4	5-14	5-13	5-12	2-3 2-1	8-7	2-4 2-2	8-9	4	11-9 11-8
5	6-2	6-3	6-4	2-5 2-9	9-2	2-6 2-8	9-16	5	11-11 11-10
6	6-5	6-6	6-1	2-4 2-7	9-3	2-10 2-12	9-15	6	11-13 11-12
7	6-11	6-10	6-9	3-3 3-1	9-6	3-4 3-2	9-10	7	12-1 12-2
8	6-14	6-13	6-11	3-5 3-9	9-7	3-8 3-6	9-9	8	12-3 12-4
9	7-2	7-3	7-4	3-12 3-13	10-2	3-20 3-12	10-16	9	12-5 12-6
10	7-5	7-6	7-7	3-1 3-3	10-3	4-2 4-4	10-15	10	12-9 12-8
11	7-11	7-10	7-9	3-13 3-15	10-6	4-12 4-6	10-10	11	12-11 12-10
12	7-14	7-13	7-12	4-1 4-5	10-7	4-10 4-8	10-9	12	12-13 12-12

IC # FIRST
PIN # SECOND

ALL
LEDS
- TEXAS
TIL 220



FRASER ELECTRONICS

P.O. BOX 778 - EDMONTON, ALBERTA T5J 2L4 - (403) 454-5412

CANNON	PLUG	PIN OUT	
DIMMER	PIN #	SWITCH	PIN #
1	A	1	S
2	B	2	T
3	C	3	X
4	D	4	Z
5	J	5	a
6	H	6	b
7	G	7	e
8	F	8	f
9	E	9	g
10	L	10	h
11	P	11	j
12	R	12	k

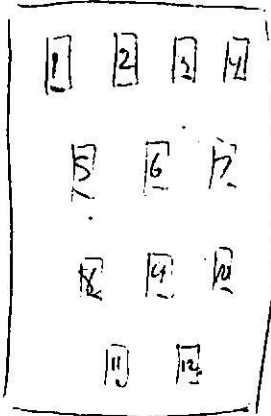
CANNON
28-21 CONNECTOR

CHASE/K	PIN #
1	m
2	n
3	p
4	r

FRASER ELECTRONICS

P.O. BOX 778 · EDMONTON, ALBERTA T5J 2L4 · (403) 428-9655

CONTROL PCB.



IC 1,2,3,4,8,12 : 7406

IC 5,6,7 : 7415

IC 8,9,10 : 7475

CCT #	INPUTS		OUTPUT	7406		7415		JONES PIN #	IC #/12	
	GRP A	GRP B		I/P	OUT	I/P	OUT		IN	OUT
1	5-2	5-3	5-4	1-1 1-3	8-2	1-2 1-4	8-16	1	11-1	11-2
2	5-5	5-6	5-7	1-5 1-7	8-3	1-6 1-8	8-15	2	11-3	11-4
3	5-11	5-10	5-9	1-13 1-11	8-6	1-12 1-10	8-10	3	11-5	11-6
4	5-14	5-13	5-12	2-3 2-1	8-7	2-4 2-2	8-9	4	11-9	11-8
5	6-2	6-3	6-4	2-5 2-9	9-2	2-6 2-8	9-16	5	11-11	11-10
6	6-5	6-6	6-7	2-11 2-13	9-3	2-10 2-12	9-15	6	11-13	11-12
7	6-11	6-10	6-9	3-3 3-1	9-6	3-4 3-2	9-10	7	12-1	12-2
8	6-14	6-13	6-12	3-5 3-7	9-7	3-8 3-6	9-9	8	12-3	12-4
9	7-2	7-3	7-4	3-11 3-13	10-2	3-10 3-12	10-16	9	12-5	12-6
10	7-5	7-6	7-7	4-1 4-3	10-3	4-2 4-4	10-15	10	12-9	12-8
11	7-11	7-10	7-9	4-13 4-5	10-6	4-12 4-8	10-10	11	12-11	12-10
12	7-14	7-13	7-12	4-11 4-9	10-7	4-10 4-8	10-9	12	12-13	12-12

IC # FIRST
PIN # SECOND

ALL
LEDS
- TEXAS
TIL 220



FRASER ELECTRONICS

P.O. BOX 778 - EDMONTON, ALBERTA T5J 2L4 - (403) 454-5412

CANNON	PLUG	PIN #	SWITCH	PIN #
DIMMER				
1	Brown	A	1	S
2	RED	B	2	T
3	ORANGE	C	3	X
4	YELLOW	D	4	Z
5	Green	J	5	a
6	Blue	H	6	b
7	Violet	G	7	e
8	Grey	F	8	f
9	White	E	9	g
10	Blk	L	10	h
11	BRN/WHT	P	11	j
12	Red/Blk	R	12	k

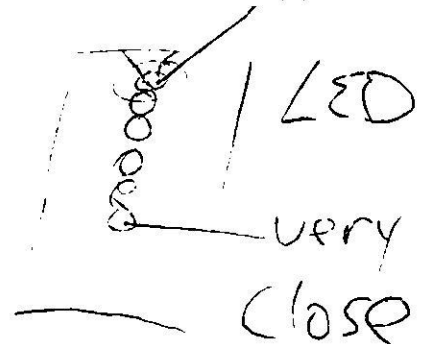
CANNON
28-21 CONNECTOR

I've done some
research but
not done it
yet.

CHASER	PIN #
1	m
2	n
3	p
4	r

GRY 1BLK = SPARE

RADAR

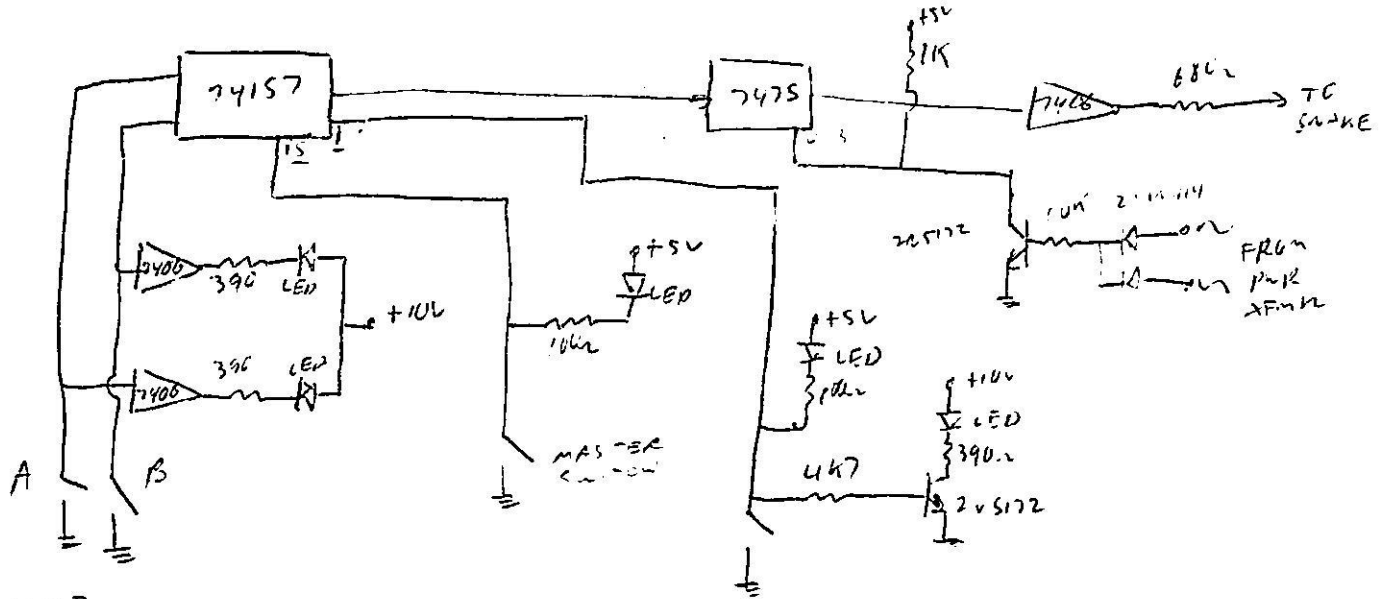


~~BUG~~ FAR

FRASER ELECTRONICS

P.O. BOX 778 - EDMONTON, ALBERTA T5J 2L4 - (403) 428-9655

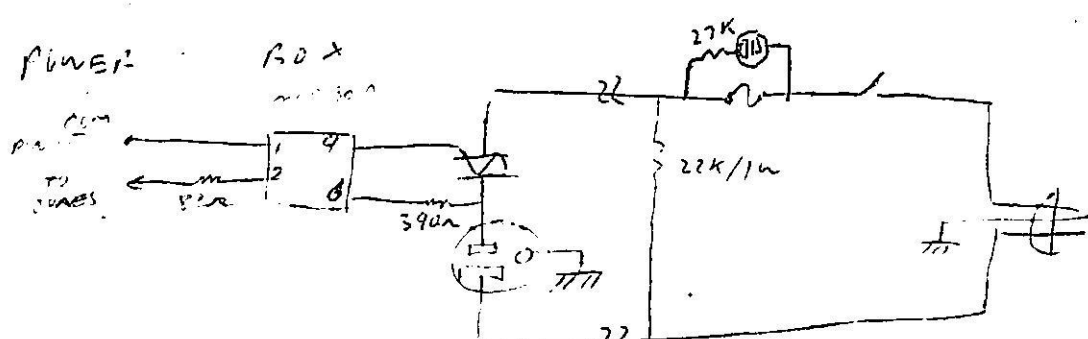
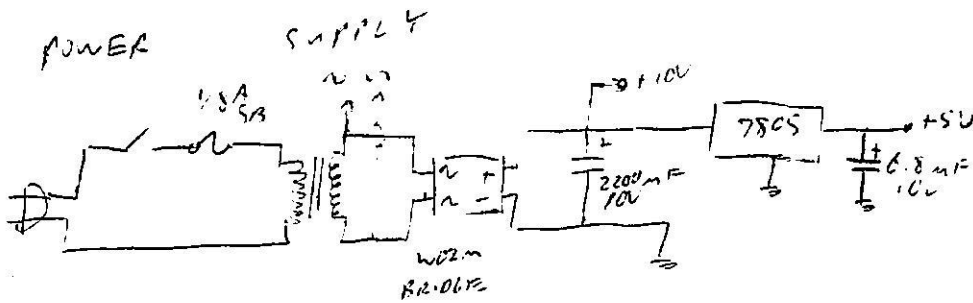
CONTROL UNIT SCHEMATIC



LIGHT SWITCHES

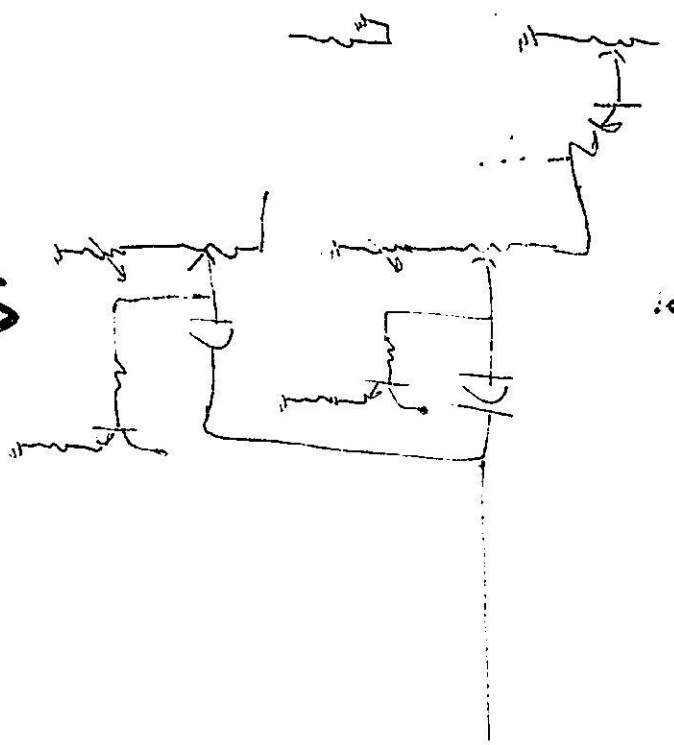
CLOSED SELECTS A
OPEN FOR B

REPEAT 12 TIMES
EXCEPT FOR MASTER AND SELECT SWITCHES AND ZERO POINT DETECTOR.



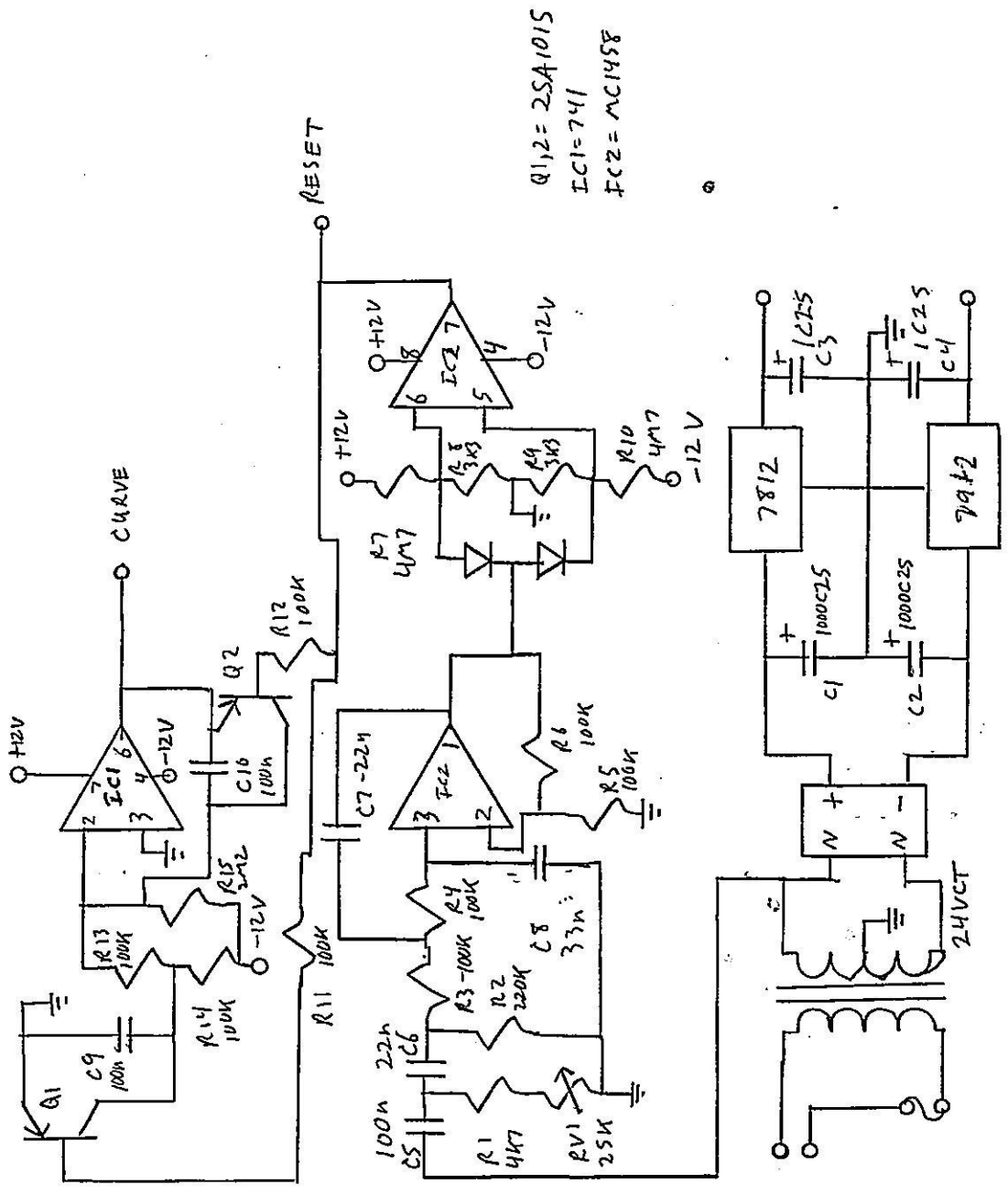
REPEAT 12 TIMES

SCHEMATICS



Black	.1
Red	.01
Orange	.001
Yellow	.0001
Green	.00001
Brown	.000001
Violet	.0000001
Grey	.00000001
White	.000000001
Blank	.0000000001

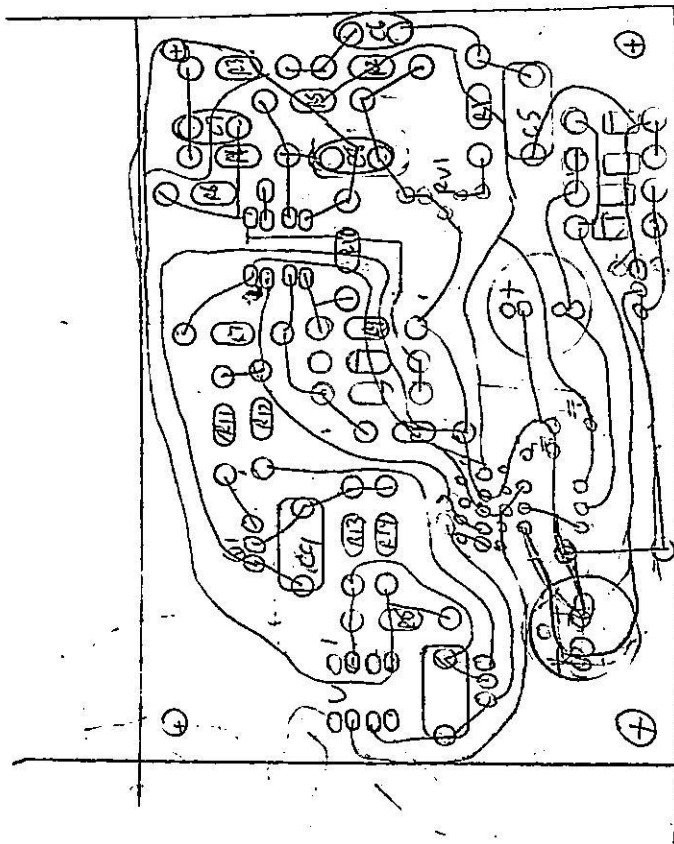
DIMMER MASTER BOARD

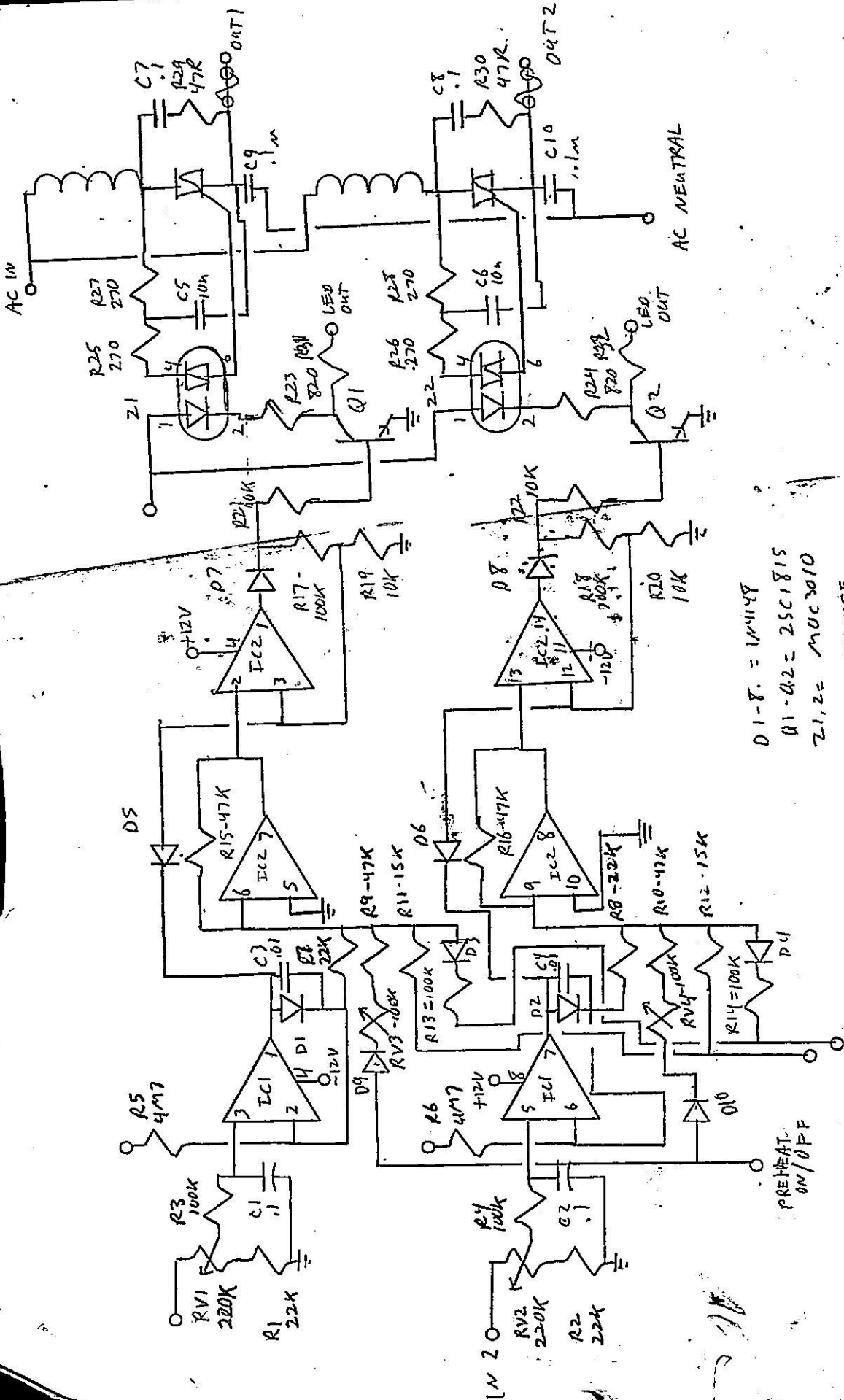


Q1,2 = 2SA1015
 IC1 = 741
 IC2 = MC1458

DIMMER
MASTER
V.C.B.

F IIII IIII IIII
C IIII IIII





- D1-8 = 1M4148
- Q1-Q2 = 2SC1815
- Z1, Z2 = MUC3010
- IC1 = MC1458
- IC2 = LM324

TW-W DIMMER MODULE

PREHEAT ON/OFF