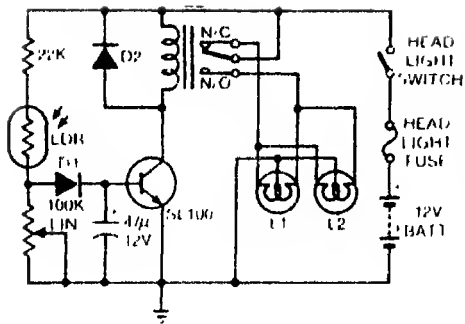


Electronic Auto Dipper

Mr Hindocha's circuit in Sept. '85 issue works beautifully, but only after the following modifications in the lamp circuit.

The power supply should be fed into the moving contact of the relay. The N/C contact should then be connected with the main beam filament of the N/O contact with the dipper beam filament of each head lamp. In Mr Hindocha's circuit there would be no power supply available to lamp L1 when the relay is energised to make the N/O contact.



The circuit also operates without the power transistor 2N3055 (a saving). The LDR can be mounted on a small bracket screwed to the right head lamp's mounting screw after wrapping the LDR neatly in a single layer of polythene sheet.

Maj G MATHUR
Dajjeeting