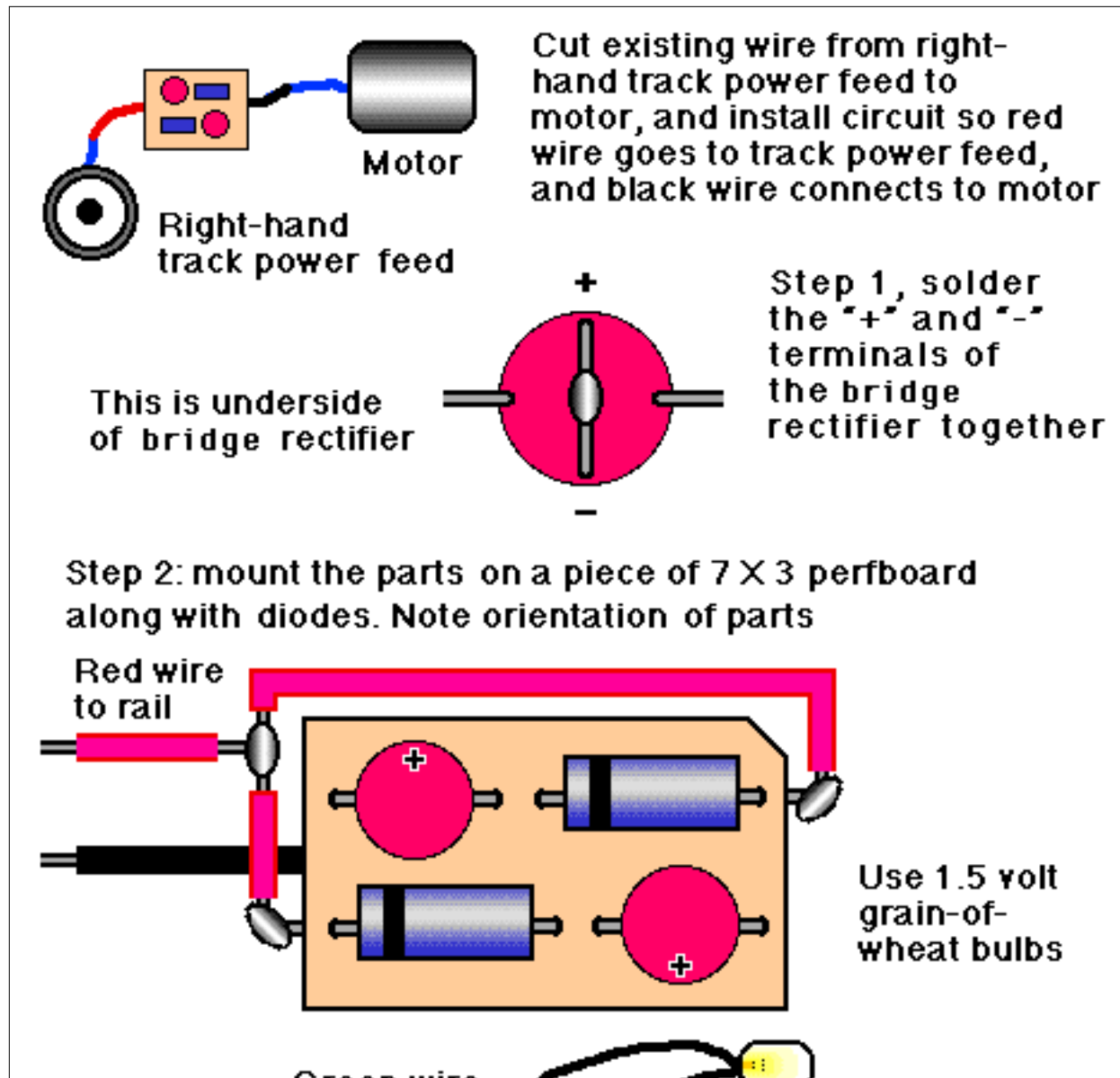


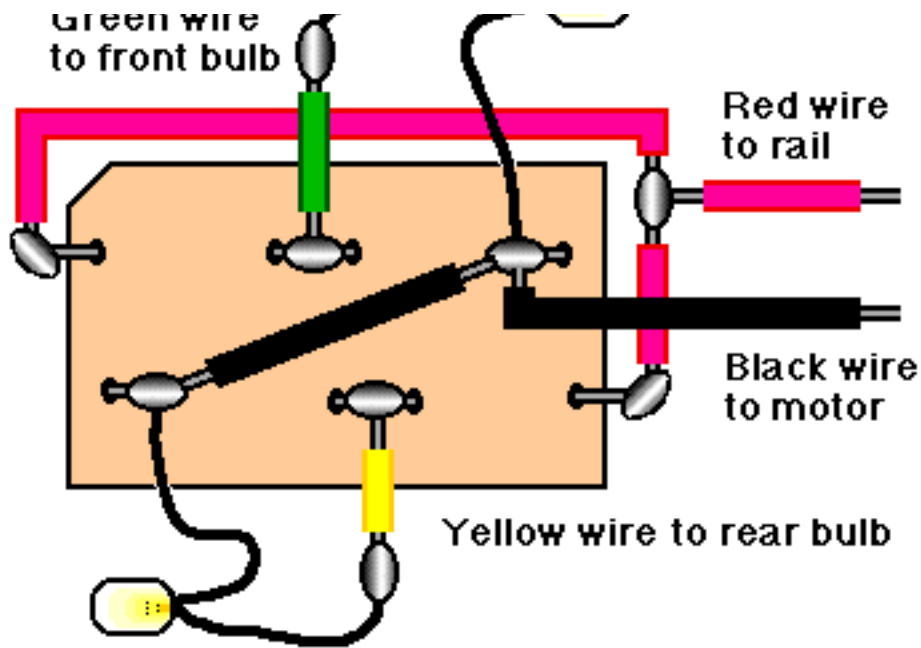
Rollins World Wide Web Page - www.mrollins.com

Trains	Newton	Consulting	Other				
Layout	HO	HOn30	Tips	Circuits	Kits	Geared Locos	
6 diode directional light	2 diode + 2 rectifier directional	1 rectifier, non-directional	non-directional for efficient "can" motors	dual alternating flashers	dual tandem flashers	simulate a Gyalite flasher	simple flashing light
simpler flashing light	simplest flashing light	infrared train detector	photocell train detector	modify flashing toy pin	1.5 volt DC power supply	hefty 1.5 VDC supply	constant 5 volts DC supply
modify Athearn locos	different electronic switches						

A 2 diode + 2 rectifier constant directional lighting circuit.

This project uses 2 diodes, 2 rectifiers, a section of perfboard, and 4 differently-colored wires. Be sure to use lights rated at 1.5 volts, otherwise they will be much too dim.





	Radio Shack	Digi-Key	All Elect.	Mouser
diode 1N4001	276-1101	1N4001GICT-ND	1N4001	592-1N4001A
bridge rectifier	276-1152	RB132-ND	FWB-10	583-RB151

this drawing © 1995 Mark L. Rollins

www.mrollins.com