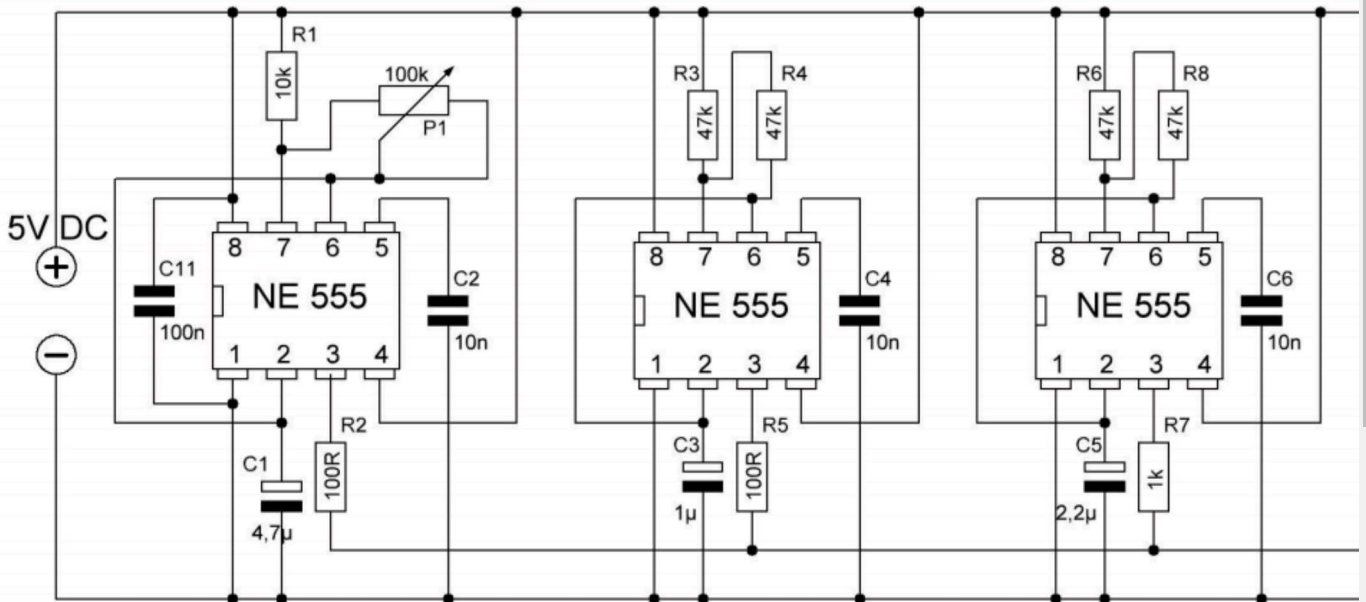


Fire or flick



Above 5V, R15 + R16 needs to be adjusted.

A useful calculator can be found here: <http://www.modding-faq.de/index.php?>

