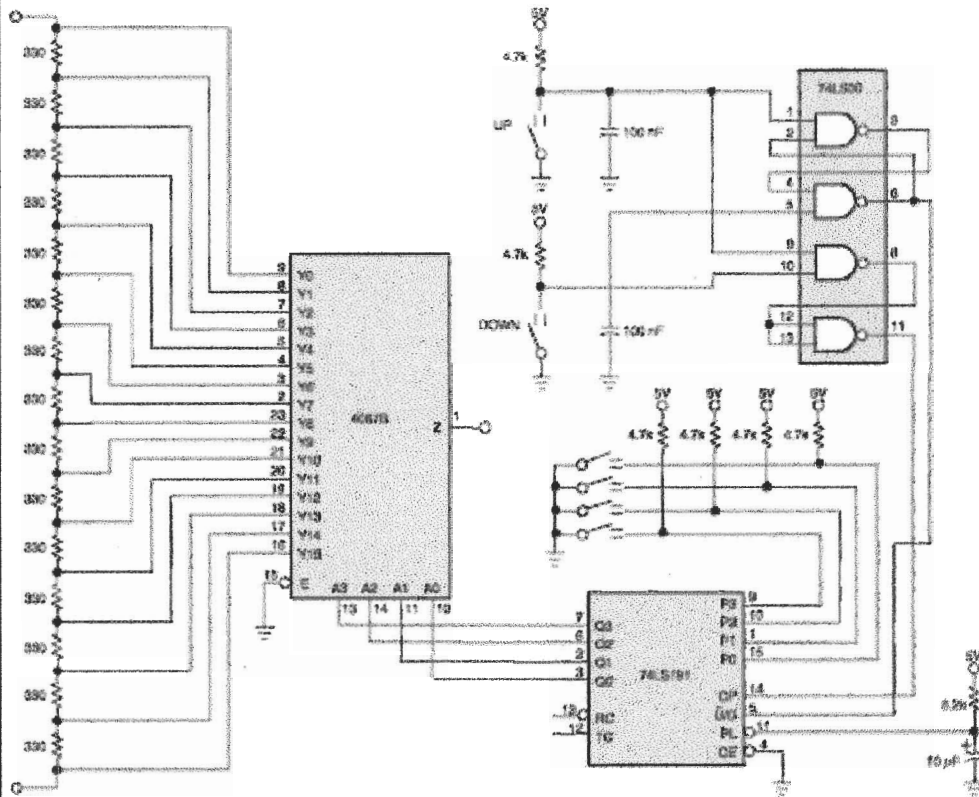


FIGURE 2



"Up" and "down" keys control the digital potentiometer in this stand-alone circuit. The 0.1-mF capacitors provide key debouncing, and the RC circuit connected to the 74LS191 loads the counter with a fixed value at startup time.

back