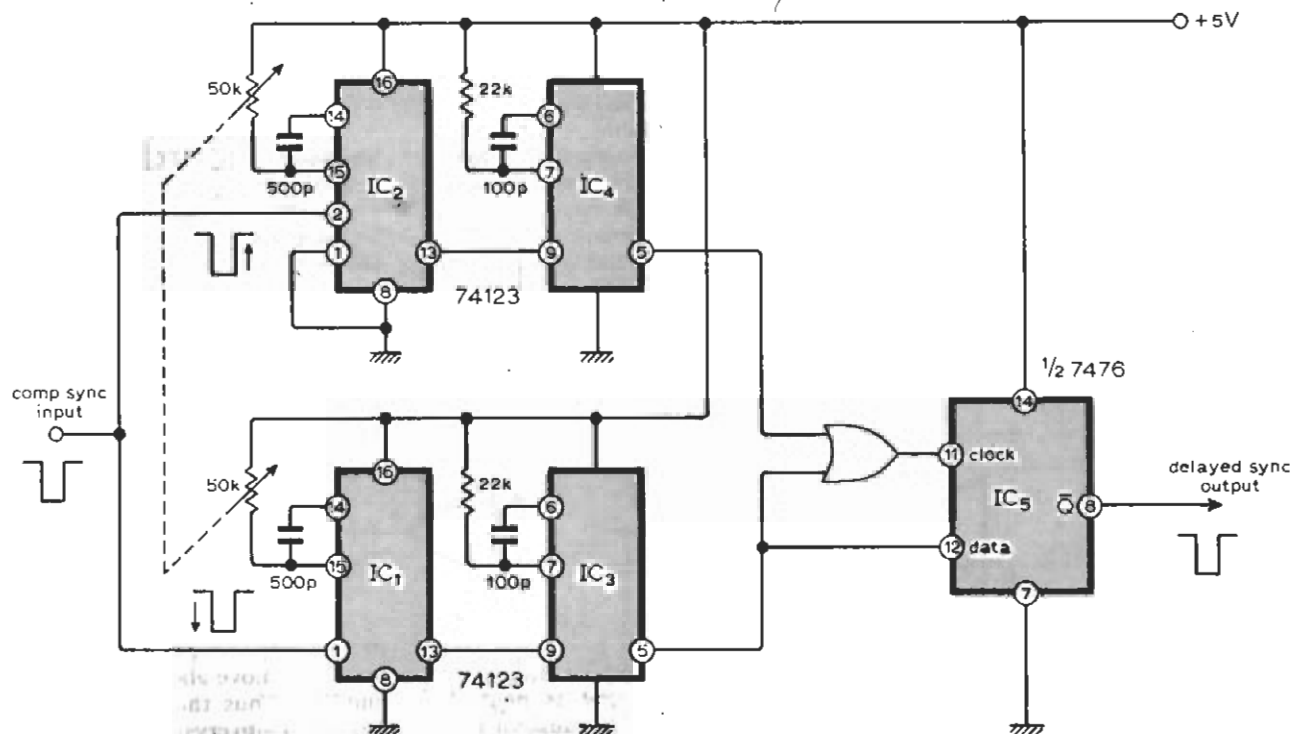


Sync-pulse delay

In t.v. broadcasting it is sometimes necessary to delay a composite signal. Passive elements can be used but these only offer delays of a few hundred ns. If

a longer delay is required, several of these elements are used. This circuit replaces these passive networks and allows a variable delay up to 7.0μs.

C. M. Wong,
Kowloon,
Hong Kong.



Sync-pulse delay

In t.v. broadcasting it is sometimes

a longer delay is required, several of

C. M. Wong,