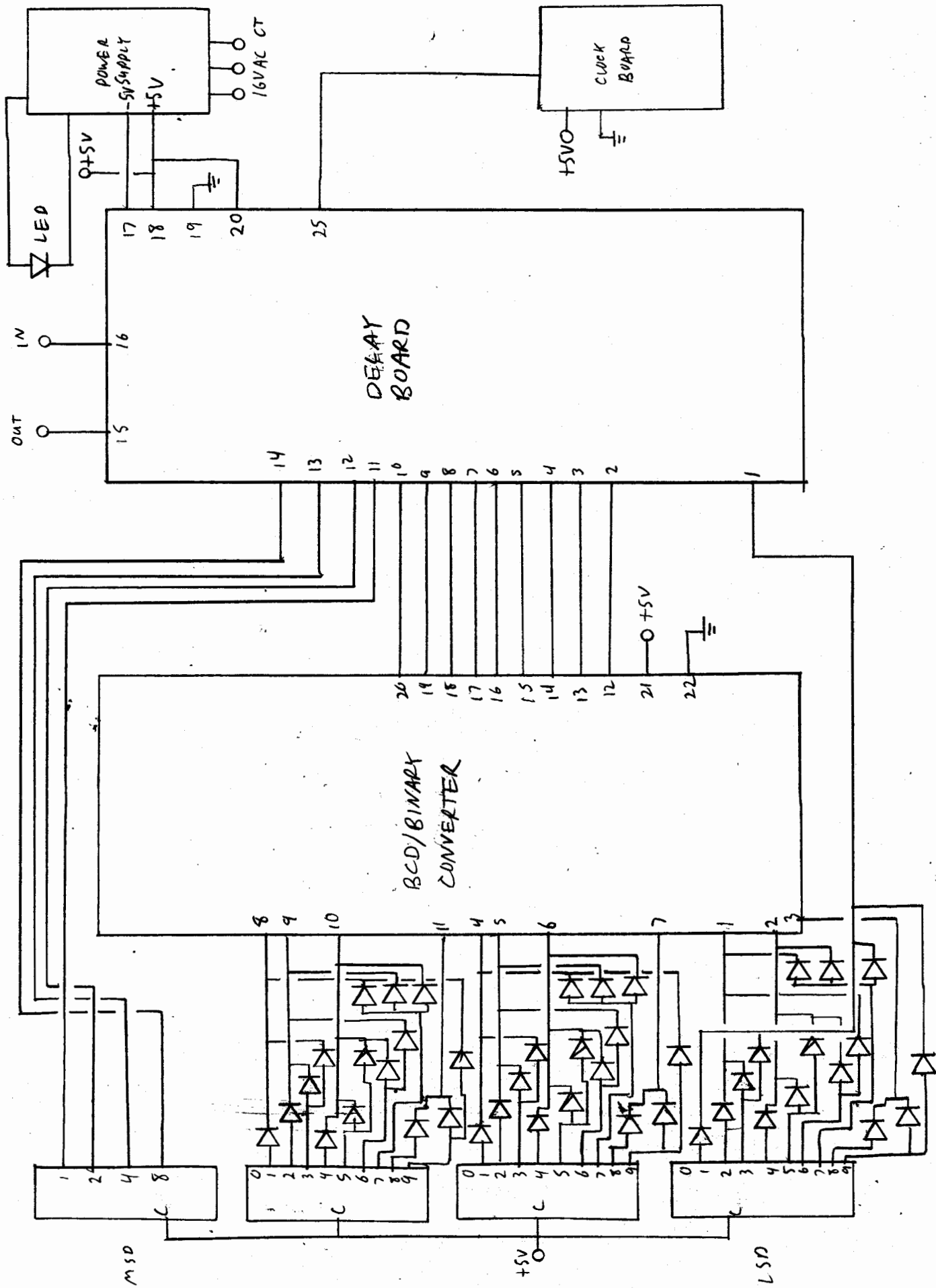
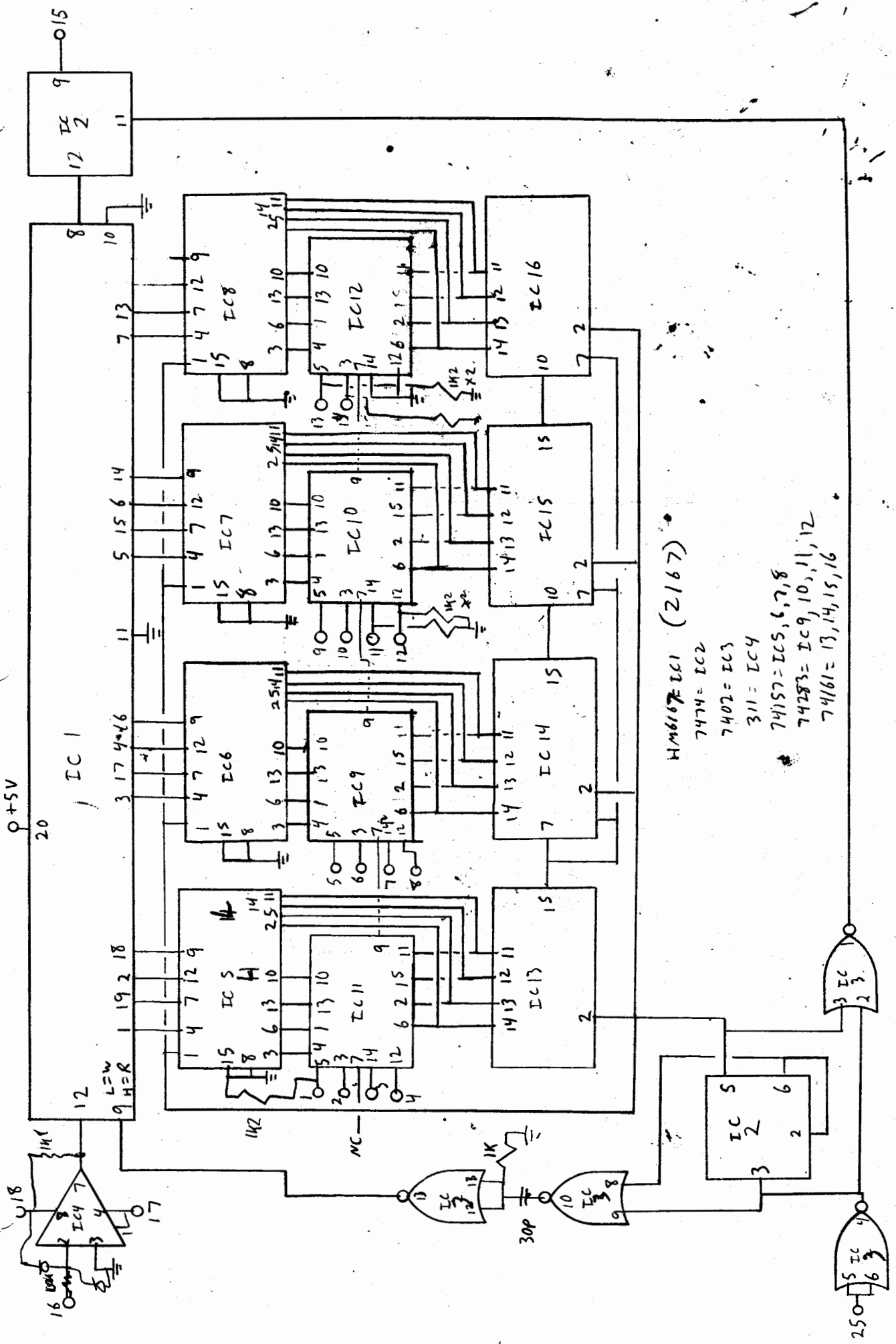


PERKINS - INTERCONNECT



PERKINS - DELAY BOARD

2



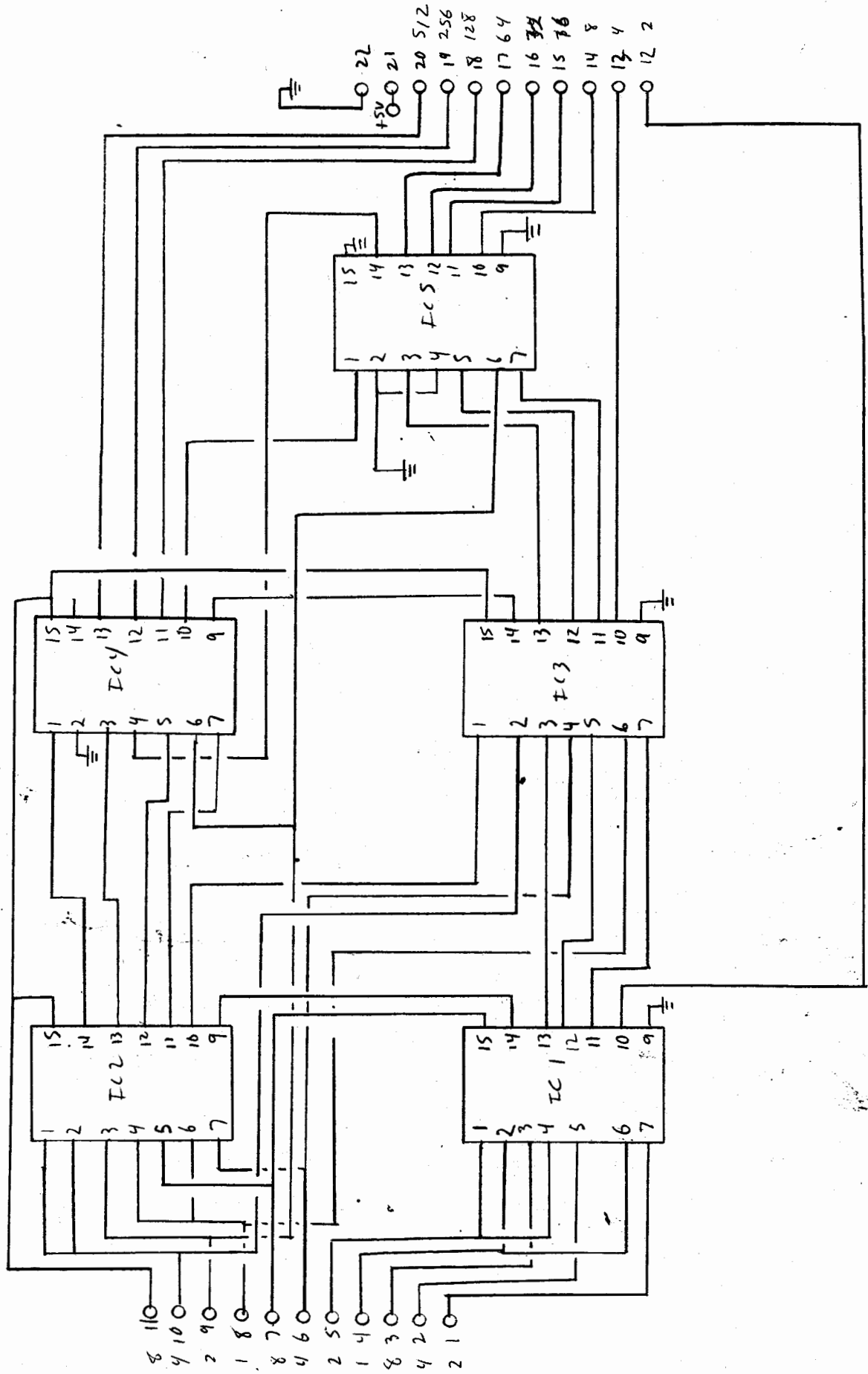
- HM6167 IC1 (2167)
- 7474 = IC2
- 7402 = IC3
- 311 = IC4
- 74157 = IC5, 6, 7, 8
- 74283 = IC9, 10, 11, 12
- 74161 = 13, 14, 15, 16

198T

3/

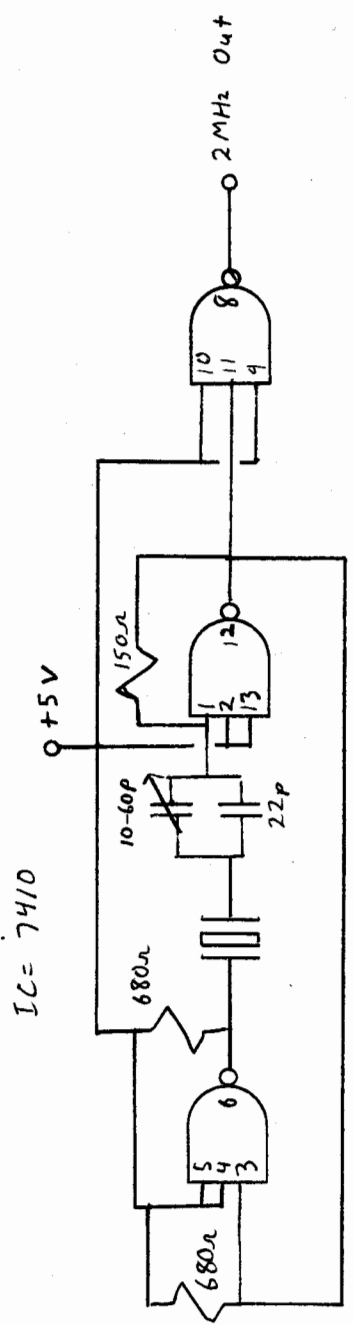
PERKINS - BCD TO BINARY BOARD

All IC'S = 4008

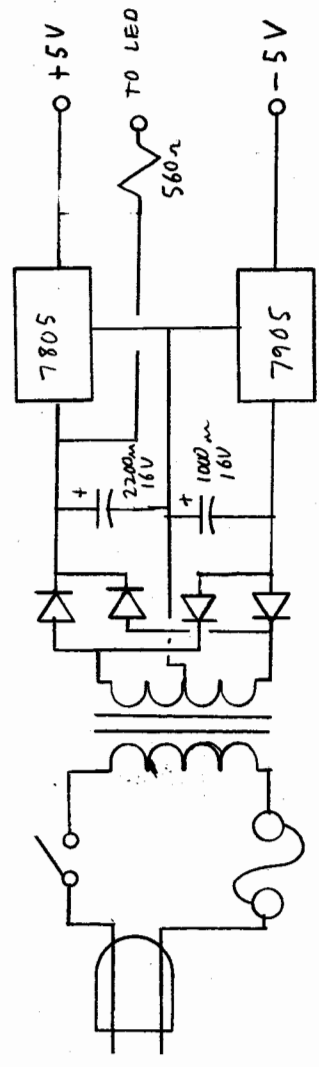


1985

PERKINS - CLOCK BOARD



POWER SUPPLY



124812481248

BCD TO  
BINARY

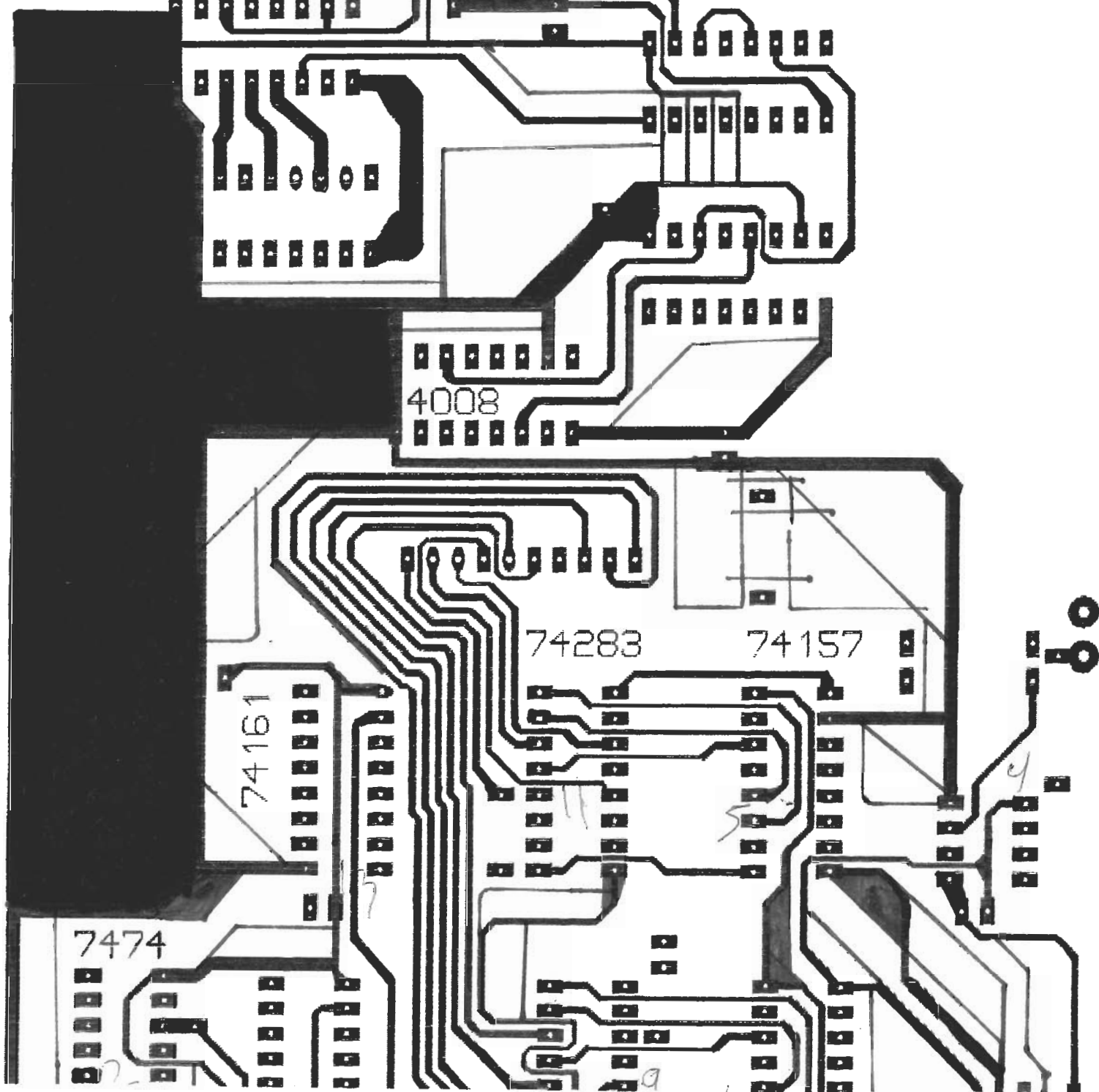
4008

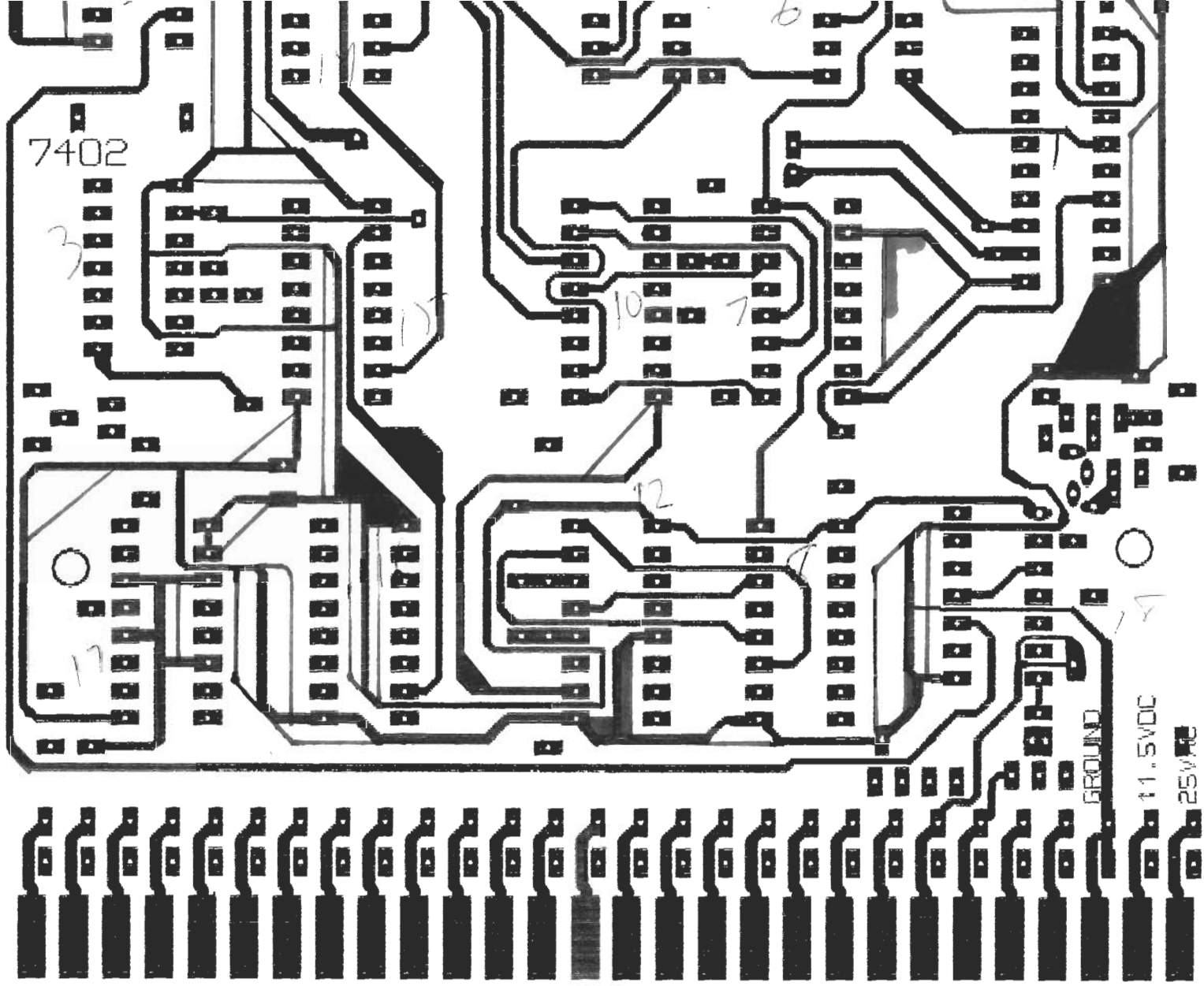
74283

74157

74161

7474





Comp Side

1.8x size