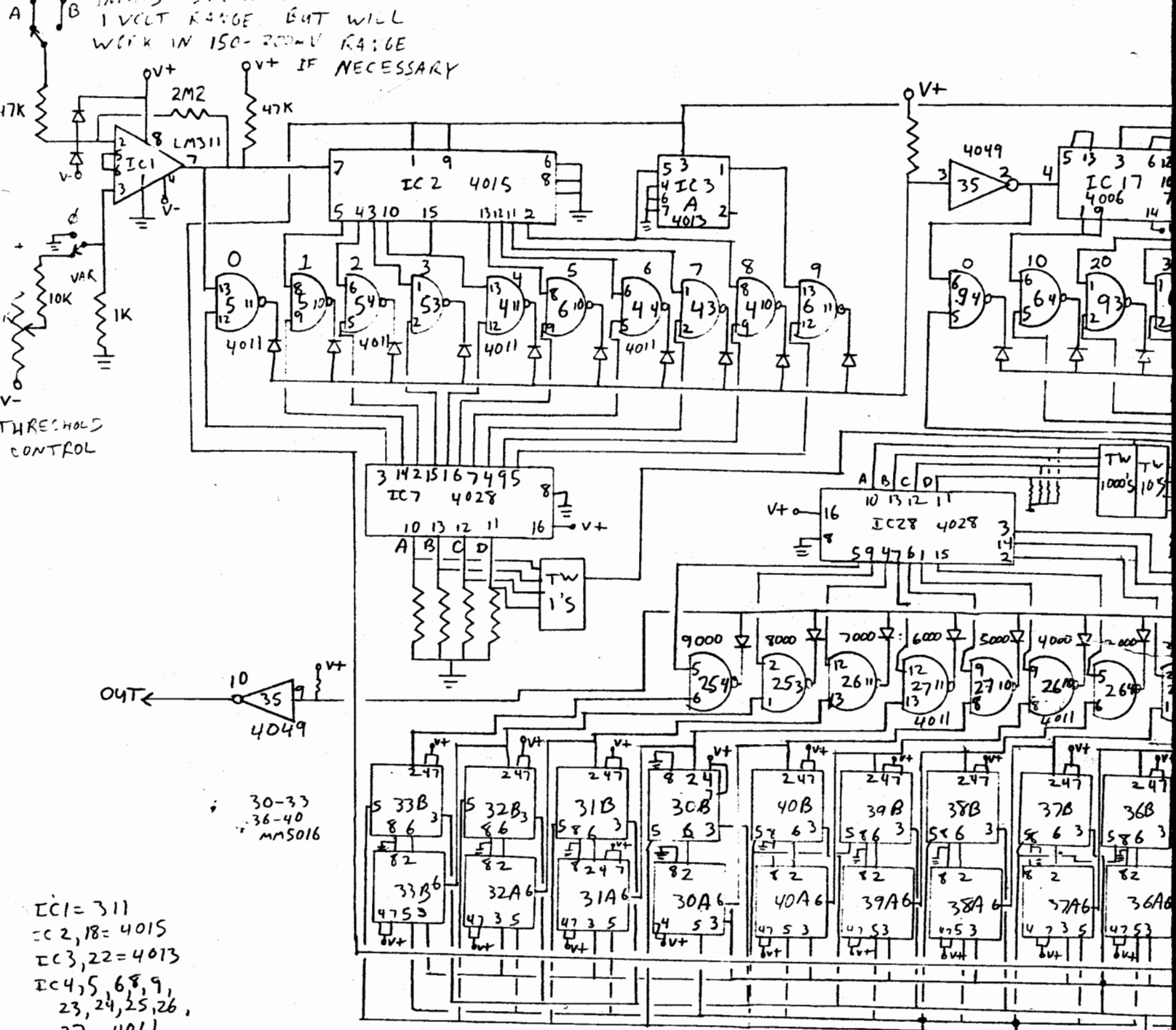
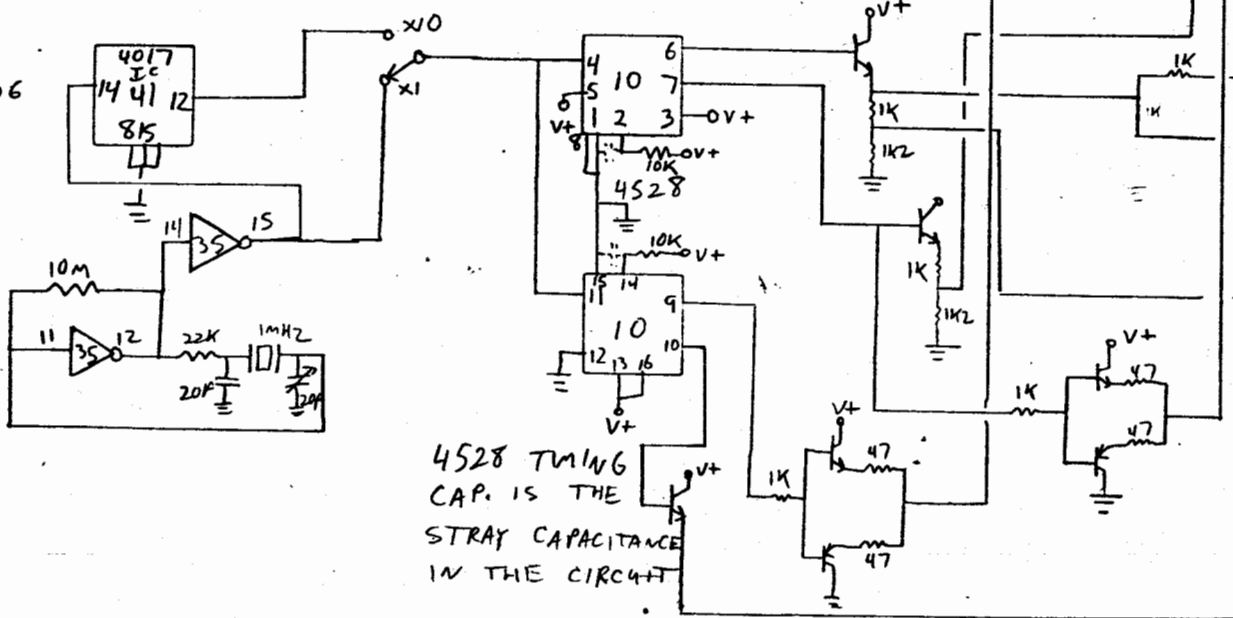


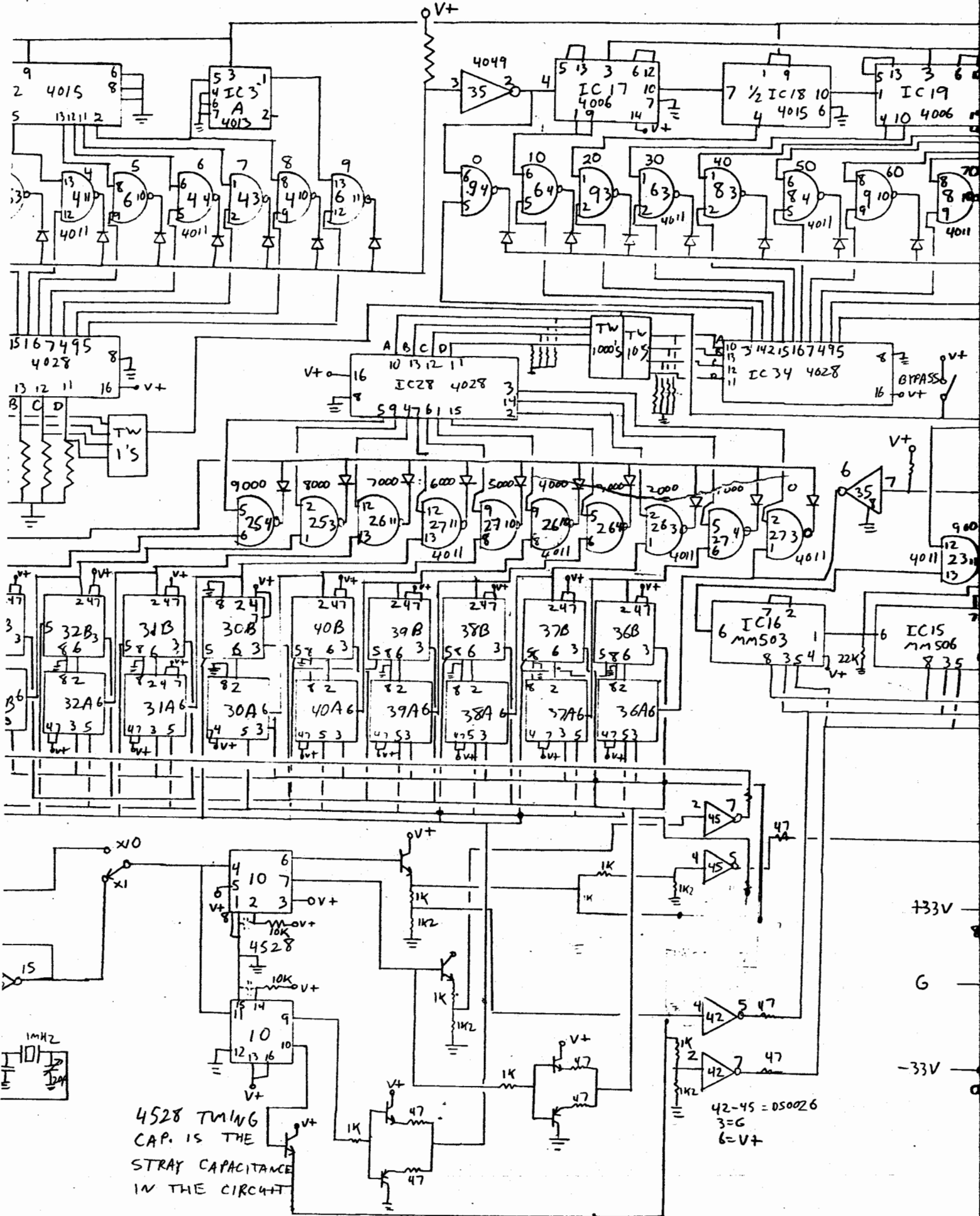
INPUTS - SHOULD BE IN 1VOLT RANGE BUT WILL WORK IN 150-200V RANGE  
 0V+ IF NECESSARY



- IC1 = 311
- IC2, 18 = 4015
- IC3, 22 = 4013
- IC4, 5, 6, 8, 9, 23, 24, 25, 26, 27 = 4011
- IC10 = 4528
- IC11, 17, 19, 20 = 4006
- IC12, 13, 14, 15 = MM506
- IC16 = MM503
- IC21 = 4021
- IC7, 28, 29, 34 = 4028
- IC30-33, 36-40 ABB = MM5016
- IC35 = 4049
- IC42, 45 = 050026
- IC44 = OMITTED
- IC41 = 4017
- IC43 = OMITTED

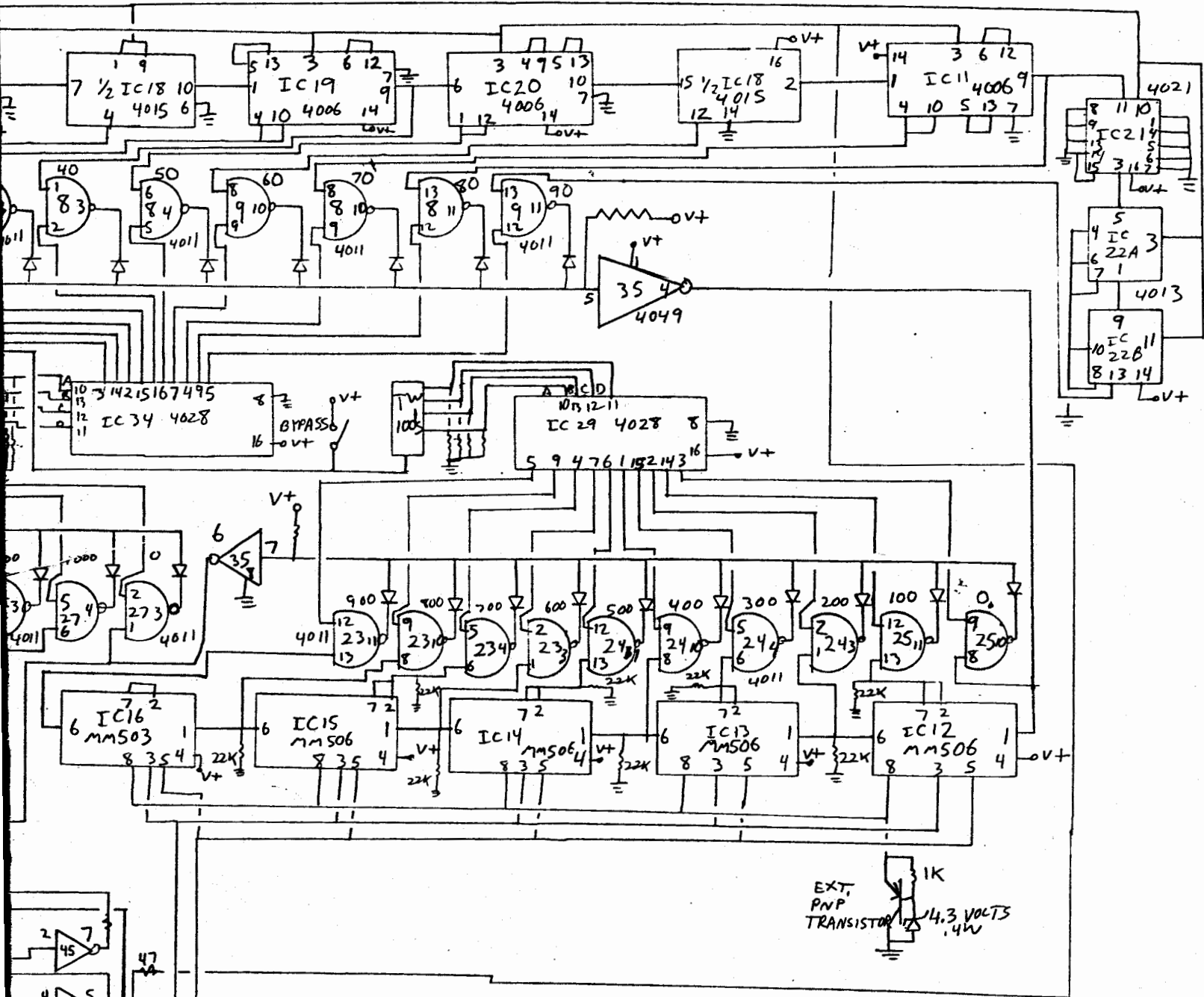


RY

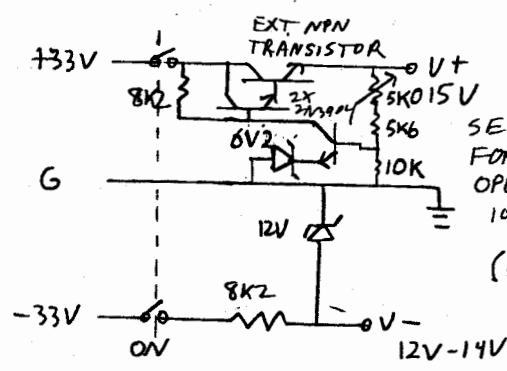


4528 TUNING  
CAP. IS THE  
STRAY CAPACITANCE  
IN THE CIRCUIT

42-45 = 050026  
3=C  
6=V+



EXT. PNP TRANSISTOR 1K  
4.3 VOLTS  
.4W



EXT NPN TRANSISTOR  
SET + Vcc FOR PROPER OPERATION OF 1000'S SHIFT REGISTERS (PROPER WIDTH AND NO GLITCHES)

THIS UNIT REQUIRES THE EXTERNAL NPN TRANSISTOR TO DISSIPATE 6 WATTS. THE SCOT WITH THE HIGH POWER NPN SHOULD BE SELECTED - #3 (12-13V RANGE)

42-45 = 050026  
3=G  
6=V+

DELAY LINE FOR PERKINS ACOUSTICS

OCT. 1/82

D. Iron  
Burraby B.C.