

Current-to-voltage converter circuit for audio DACs

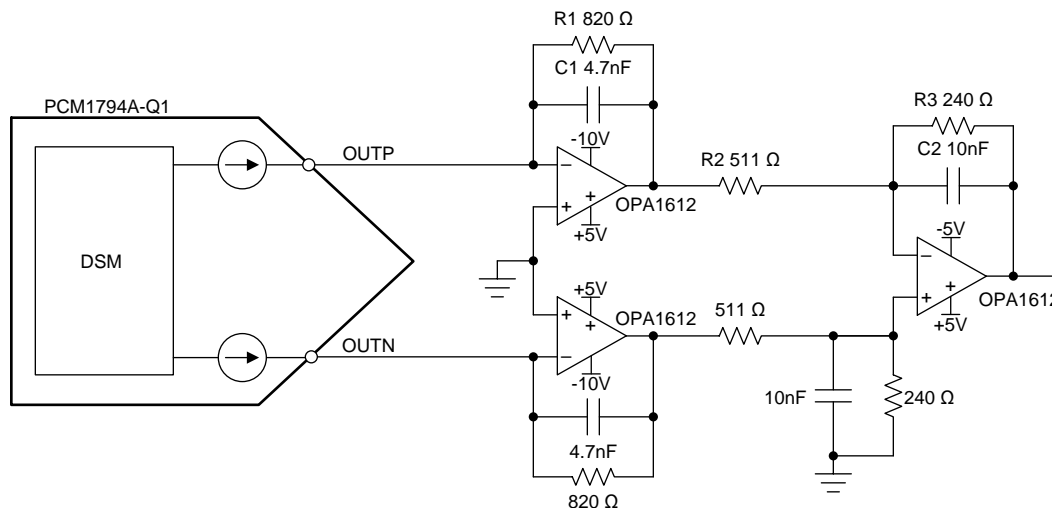
Paul Frost

Design Goals

DAC I_{OUT} Amplitude	DAC I_{OUT} Common Mode Current	V_{OUT} Amplitude
7.8 mA _{p-p}	-6.2mA	2.1V _{RMS}

Design Description

Many high-performance audio digital-to-analog converters (DACs) feature a current output that must be converted into a voltage output for use with audio amplifiers. In [premium automotive audio applications](#), for example, it is critical to ensure the DAC signal-to-noise ratio (SNR) and total harmonic distortion plus noise (THD+N) performance is not compromised by the current-to-voltage (I-V) output stage.



Design Notes

1. The first stage of the circuit converts the current output to a voltage output by providing a virtual ground potential to the OOTP and OUTN nodes of the DAC. The current flowing from the DAC then creates a voltage across the resistor, R1, in the feedback loop. Note that current-output audio DACs have a common-mode current that creates an offset to ensure that the DAC is always sourcing current. This common-mode current also results in the output of the first stage always being a negative value. The supplies of the amplifiers of the circuit are not required to be symmetrical.
2. The second stage of the circuit is a differential amplifier that converts the differential voltage of the first stage into a single-ended output voltage.

Design Steps

1. The DAC is selected based on the needs of the application. Consider the required SNR, THD+N, and supported I2S interface sample rates. While most audio DACs support rates ranging from 16kHz to 192kHz, not all support rates like 384kHz or 768kHz. Higher rates result in noise shaping that moves the out-of-band noise further from the audible range, but not all audio sources can provide them. Also note that not all current-output audio DACs have the same amplitude and common-mode current.
2. Select the amplifier based on its noise and THD performance. Ideally, these amplifiers should not gate the SNR performance of the DAC. A JFET or bipolar-input amplifier is recommended for its low voltage-noise. The higher current-noise is not an issue as the resistance values of the circuit are low.
3. The gain of the circuit is calculated with the following equation. Using $R1 = 820\Omega$, $R2 = 511\Omega$, and $R3 = 240\Omega$, the output current will be approximately $6V_{P-P}$ or $2.1V_{RMS}$. For this circuit, superior noise performance is achieved by having the first stage have a large gain, and the second stage actually attenuate the signal.

$$V_{OUT}(I_{IN}) = I_{IN} \times R1 \times \left(\frac{R3}{R2} \right)$$

4. The cutoff frequency (f_c) of the first stage can be calculated with the following equation:

$$f_{C-FIRSTSTAGE} = \frac{1}{2 \times \pi \times R1 \times C1}$$

The f_c of the second stage is calculated with the following equation:

$$f_{C-SECONDSTAGE} = \frac{1}{2 \times \pi \times R3 \times C2}$$

Using $C1 = 4.7nF$ and $C2 = 10nF$, the f_c of the first stage is approximately 44.2kHz and the f_c of the second stage is approximately 66.3kHz.

5. The capacitors used for the filter should be COG/NP0 type ceramics. COG/NP0 type capacitors have a lower voltage coefficient of capacitance, meaning that the capacitive value of the component is less impacted by the voltage bias across the device. As the capacitors are key for performance of the filter, other types of ceramic capacitors should be avoided in the signal path.
6. Thin-film resistors are recommended for the resistive elements in the circuits. All resistors feature voltage noise, which is well understood to be dependent on resistance and temperature, as shown in the first equation that follows. But resistors also have a current-noise, which is dependent on the voltage across the resistor, frequency, and a constant, C , that is dependant on the material of which the resistor is composed, as shown in the second following equation:

$$S_T = 4kRT,$$

where

- k is Boltzman's constant
- R is resistance
- T is temperature

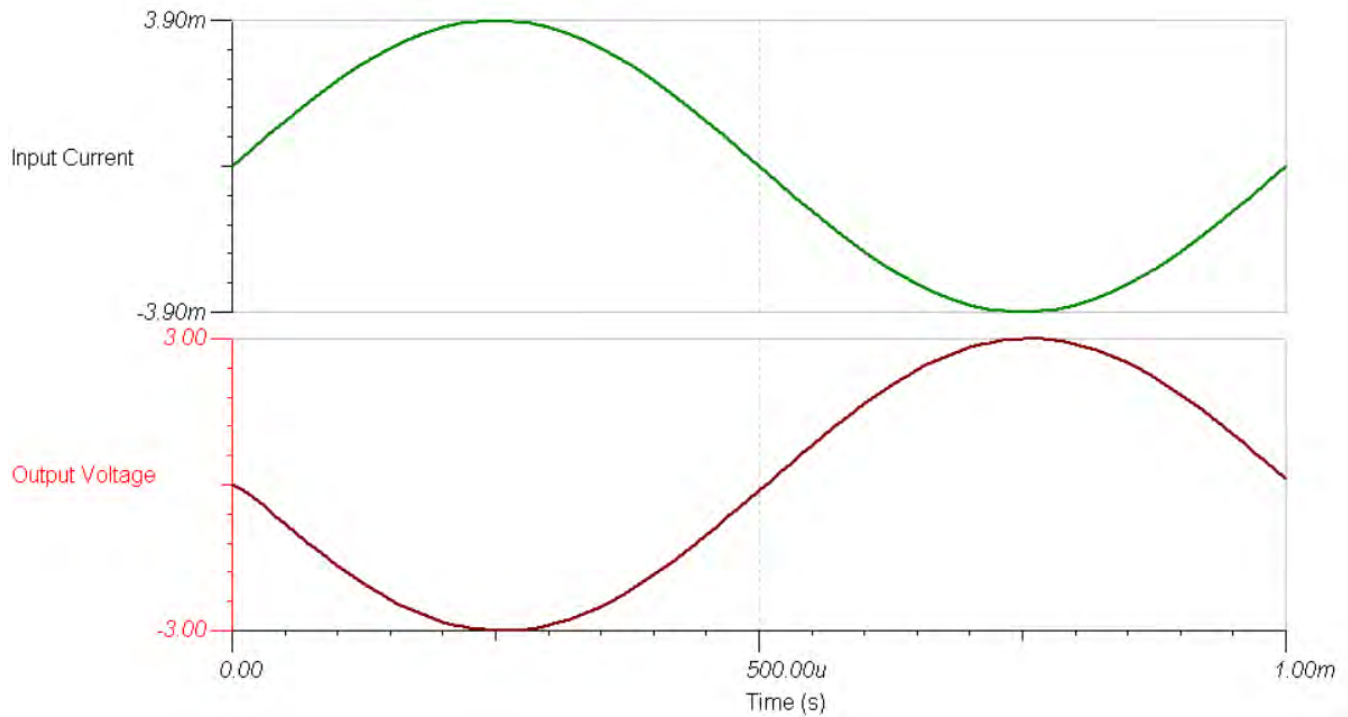
$$S_E = (C \times U^2) / f$$

where

- C is a constant derived from the resistor material
- U is the differential voltage across the resistor
- f is the frequency

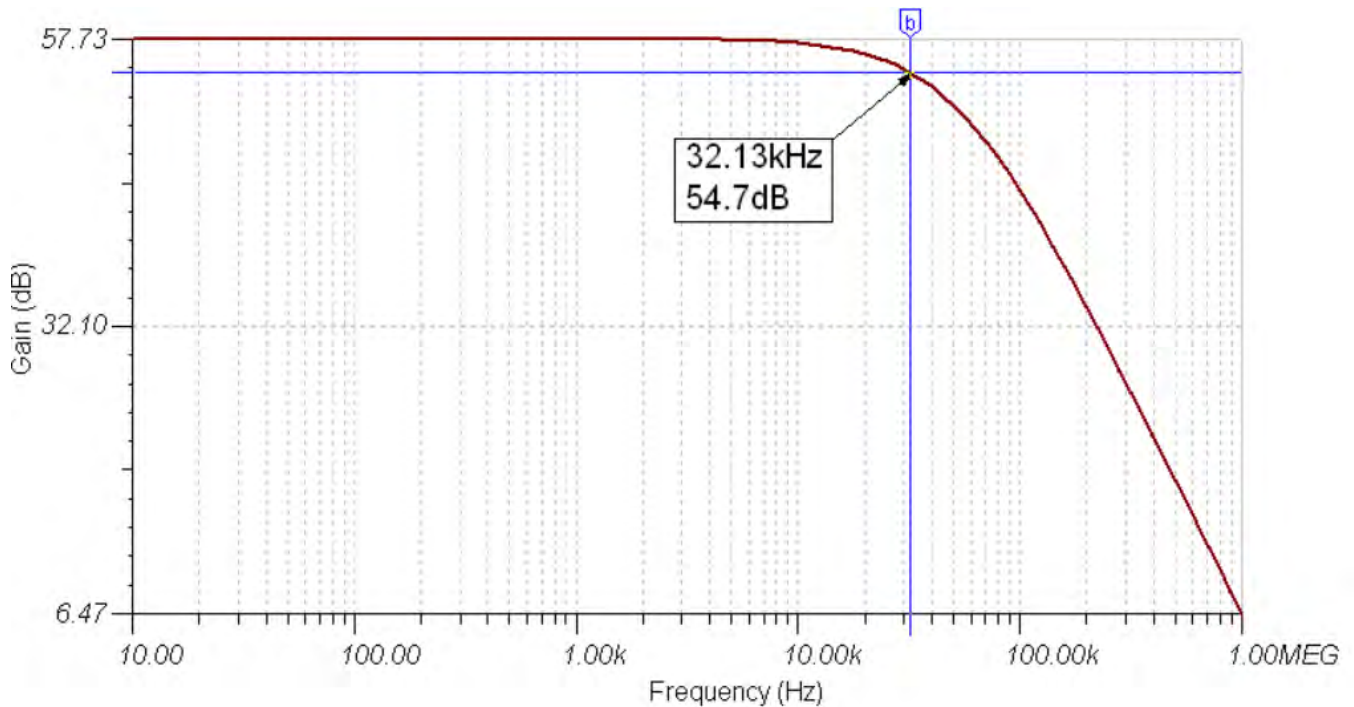
DC Transfer Characteristics

The simulation shows that the 7.8-mA_{P-P} differential input current results in an approximately 6V_{P-P} output, or 2.1V_{RMS}.



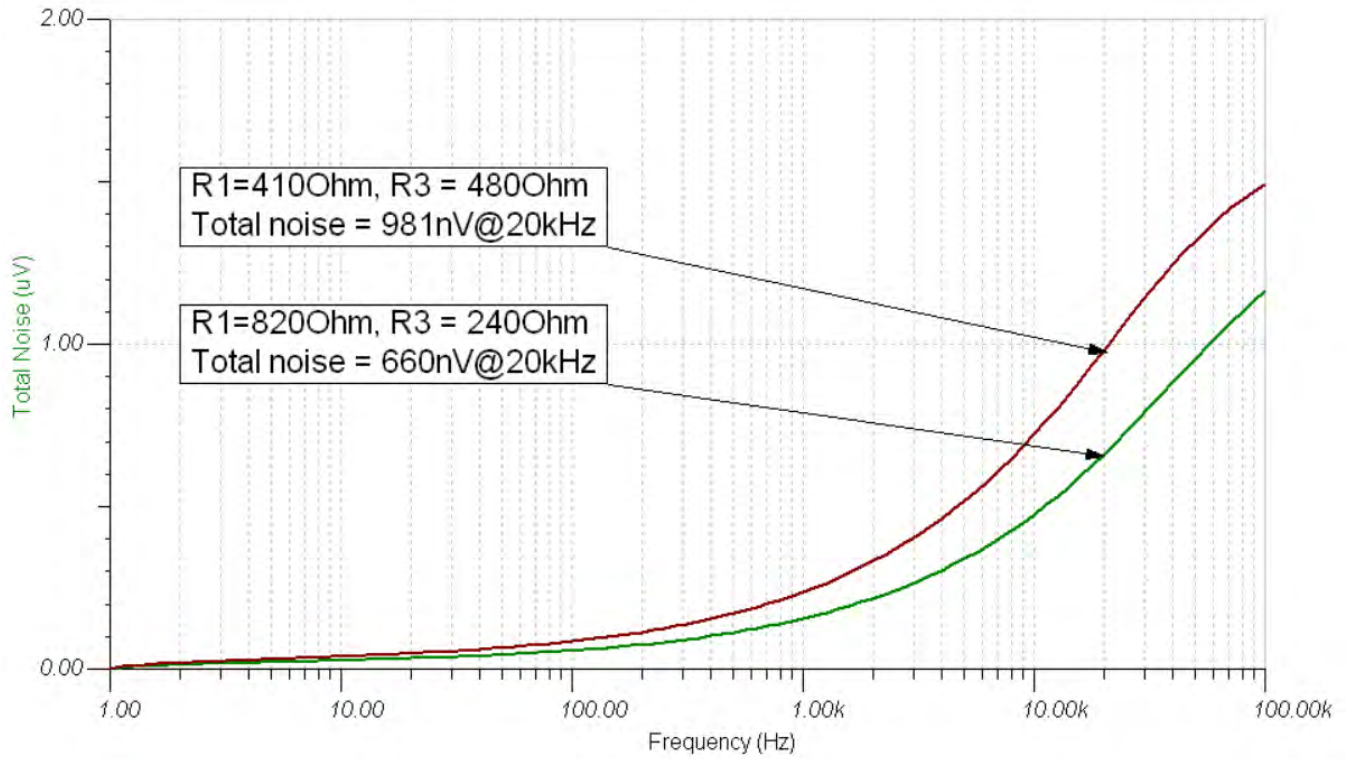
Filter Characteristics

The filters created by the two amplifier stages have a -3-dB corner frequency of approximately 32.1kHz. This will attenuate out-of-band noise from the output, while not affecting the audible range (20Hz to 22kHz).



Noise Simulation

The following simulation shows the benefit of having the majority of the gain of the circuit in the first stage. The two curves were generated by the same circuit with different resistor values, but resulting in the same total gain. The green line has a higher gain in the first stage, but lower total noise.



Design References

See [Analog Engineer's Circuit Cookbooks](#) for TI's comprehensive circuit library.

See the [HiFi Audio circuit design application report](#).

Download the [companion simulation files for this circuit](#).

For direct support from TI Engineers use the E2E community

[E2E Community](#)

Design Featured Devices

Device	Key Features	Link	Other Possible Devices
PCM1794A-Q1	24-bit, 192-kHz sampling, advanced segment, audio stereo digital-to-analog converter	http://www.ti.com/product/PCM1794A-Q1	Audio DACs from Texas Instruments
OPA1612	Ultra-low noise, ultra-low distortion, high-performance, bipolar-input audio operational amplifier	http://www.ti.com/product/OPA1612	Audio Amplifiers from Texas Instruments

Other Links:

Learn more about how to use precision DACs at our [Precision DAC Learning Center](#).

Learn about [TI's audio DAC portfolio](#) and [find more technical content](#).