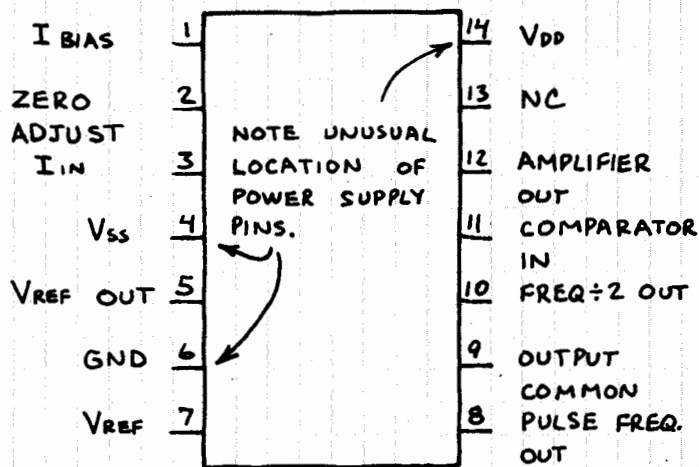


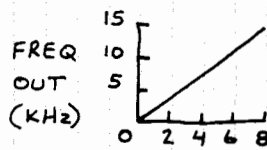
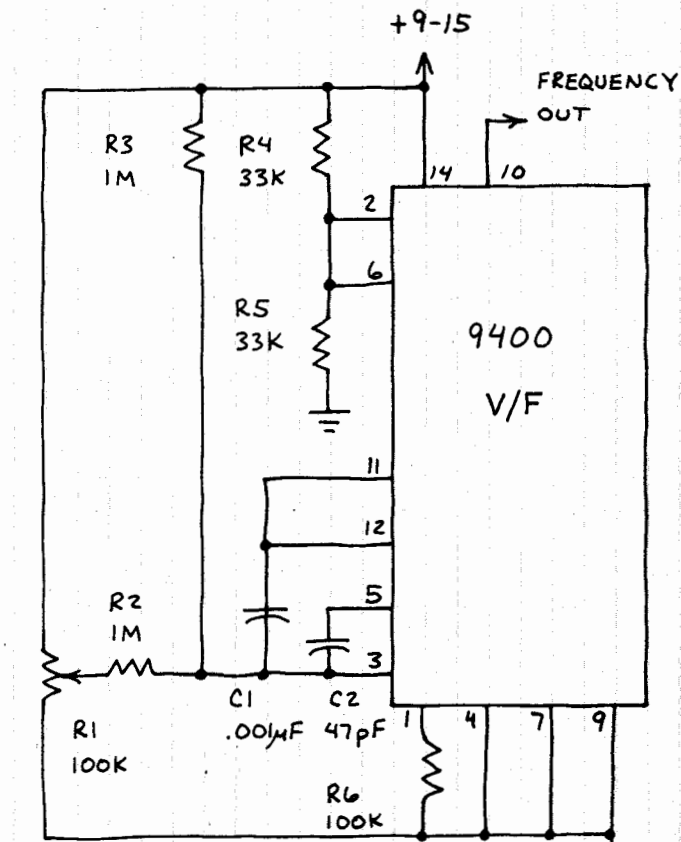
VOLTAGE-TO-FREQUENCY FREQUENCY-TO-VOLTAGE CONVERTER 9400 (276-1790)

IN VOLTAGE-TO-FREQUENCY (V-F) MODE, AN INPUT VOLTAGE WHICH HAS BEEN CONVERTED INTO A CURRENT BY A RESISTOR AT PIN 3 IS TRANSFORMED INTO A PROPORTIONAL FREQUENCY. IN FREQUENCY-TO-VOLTAGE MODE A FREQUENCY AT PIN 11 IS CONVERTED INTO A PROPORTIONAL VOLTAGE. THIS CHIP CAN BE OPERATED FROM A SINGLE OR DUAL POLARITY POWER SUPPLY.



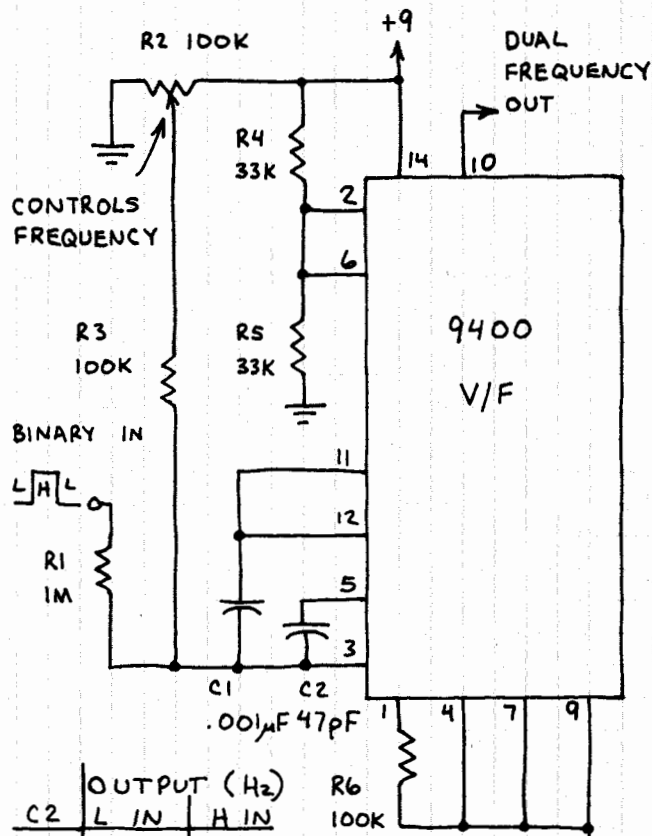
CAUTION: THIS CHIP INCORPORATES BOTH BIPOLAR AND CMOS CIRCUITRY. THEREFORE CMOS HANDLING PRECAUTIONS MUST BE FOLLOWED TO AVOID PERMANENT DAMAGE.

BASIC V/F CONVERTER



R1 - OPTIONAL (USE TO SUPPLY INPUT VOLTAGE DURING TESTS).

FSK* DATA TRANSMITTER



C2	OUTPUT (Hz)	
	L IN	H IN
47pF	3943	17,671
.1µF	1000	1665

R2 CONTROLS OUTPUT.

*FREQUENCY SHIFT KEYING. USE TO SEND BINARY OVER WIRE OR RADIO.