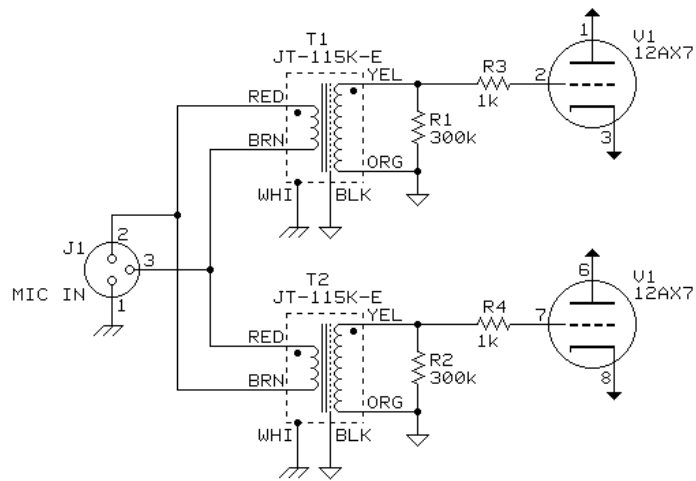


TWO JT-115K-E USED IN SYMMETRICAL MIC INPUT STAGE

A 1:20 STEP-UP TRANSFORMER WITH CENTER-TAPPED SECONDARY IS EFFECTIVELY REALIZED



***** CAUTION *****
POTENTIALLY LETHAL VOLTAGES
ARE USED IN THIS APPLICATION!

NOTE INTENTIONAL "OUT-OF-PHASE" PRIMARY HOOK-UP

NOTES

1. ALL RESISTORS IN OHMS (6k81 = 6.81k, 68r1 = 68.1)
2. ALL RESISTORS ARE ±1% 1/4w METAL FILM TYPES, ROEDERSTEIN MK2-1 OR EQUIVALENT
3. IF T1 AND T2 ARE NEAR A POWER TRANSFORMER, CONSIDER USING THE TRIPLE MAGNETIC SHIELDED VERSION, THE JT-115K-E90

jensen	AS047
	03/13/2000
7135 HAYVENHURST AVE. VAN NUYS, CALIFORNIA 91406 (818) 374-5857	

© COPYRIGHT 2000, JENSEN TRANSFORMERS, INC.