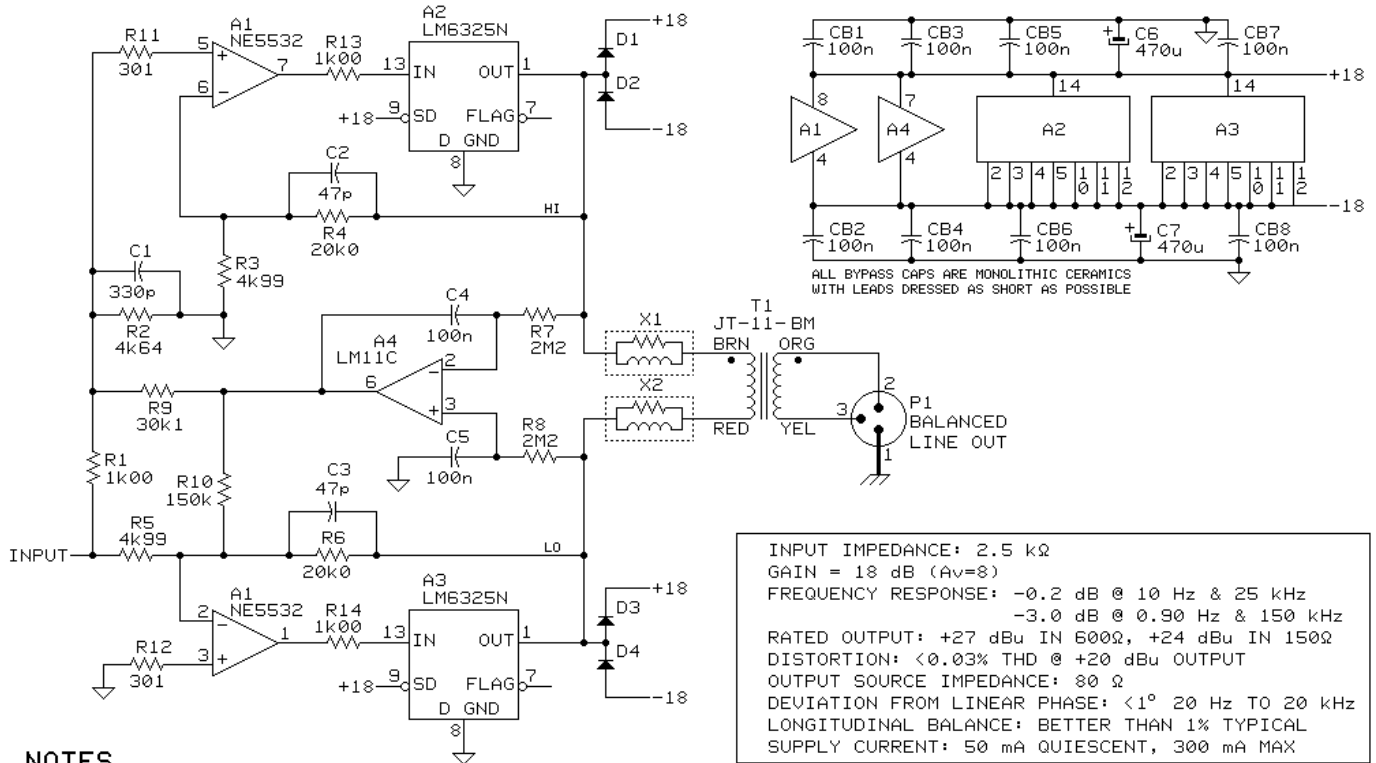


# JT-11-BM HIGH LEVEL HIGH CURRENT DIFFERENTIAL OUTPUT STAGE WITH DC SERVO

THIS DRIVER SUITABLE FOR LOADS OF 150Ω MINIMUM AND UP TO 500 FEET OF TYPICAL CABLE



INPUT IMPEDANCE: 2.5 kΩ  
 GAIN = 18 dB (Av=8)  
 FREQUENCY RESPONSE: -0.2 dB @ 10 Hz & 25 kHz  
 -3.0 dB @ 0.90 Hz & 150 kHz  
 RATED OUTPUT: +27 dBu IN 600Ω, +24 dBu IN 150Ω  
 DISTORTION: <0.03% THD @ +20 dBu OUTPUT  
 OUTPUT SOURCE IMPEDANCE: 80 Ω  
 DEVIATION FROM LINEAR PHASE: <1° 20 Hz TO 20 kHz  
 LONGITUDINAL BALANCE: BETTER THAN 1% TYPICAL  
 SUPPLY CURRENT: 50 mA QUIESCENT, 300 mA MAX

## NOTES

1. ALL RESISTORS ARE ±1% 1/4w METAL FILM TYPES, ROEDERSTEIN MK2-1 OR EQUIVALENT
2. D1 THRU D4 ARE HIGH CONDUCTANCE DIODES, SUCH AS 1N4448 or 1N4002
3. EXCEPT CBs, ALL CAPS ARE POLYPROPYLENE, POLYSTYRENE, OR NP0/C0G CERAMIC TYPES
4. X1 AND X2 ARE OUTPUT LOAD ISOLATORS, JENSEN #JT-OLI-2
5. USE GOOD HIGH FREQUENCY CONSTRUCTION TECHNIQUE AND GROUND PLANES.
6. SOLDER PINS 3, 4, 5, 10, 11 & 12 OF A2 AND A3 TO AT LEAST 2 SQ IN OF 2 OZ COPPER CLAD PC BOARD FOR ADEQUATE HEAT DISSIPATION.

© 1993, 1995 JENSEN TRANSFORMERS, INC.

<b>jensen</b>	<b>AS031</b>
	09/18/95
7135 HAYVENHURST AVE. VAN NUYS, CALIFORNIA 91406 (818) 374-5857	