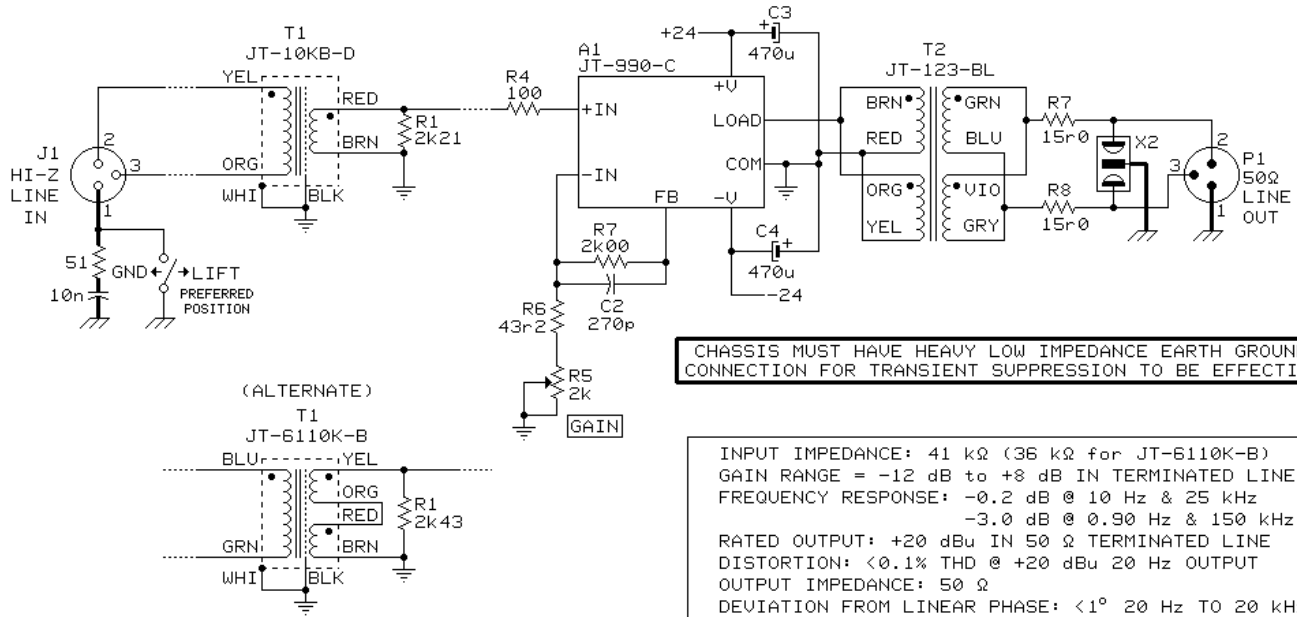


JT-10KB-D + JT-990-C + JT-123-BL = 50Ω LONG LINE DRIVER

DRIVES 2000 FEET OF BELDEN 8451 CABLE WITH >60 kHz BANDWIDTH AND NO SQUARE WAVE OVERSHOOT



CHASSIS MUST HAVE HEAVY LOW IMPEDANCE EARTH GROUND CONNECTION FOR TRANSIENT SUPPRESSION TO BE EFFECTIVE

INPUT IMPEDANCE: 41 kΩ (36 kΩ for JT-6110K-B)
 GAIN RANGE = -12 dB to +8 dB IN TERMINATED LINE
 FREQUENCY RESPONSE: -0.2 dB @ 10 Hz & 25 kHz
 -3.0 dB @ 0.90 Hz & 150 kHz
 RATED OUTPUT: +20 dBu IN 50 Ω TERMINATED LINE
 DISTORTION: <0.1% THD @ +20 dBu 20 Hz OUTPUT
 OUTPUT IMPEDANCE: 50 Ω
 DEVIATION FROM LINEAR PHASE: <1° 20 Hz TO 20 kHz
 LONGITUDINAL BALANCE: BETTER THAN 1% TYPICAL
 SUPPLY CURRENT: 20 mA QUIESCENT, 350 mA MAX

NOTES

1. ALL RESISTORS ARE ±1% 1/4w METAL FILM TYPES, ROEDERSTEIN MK2-1 OR EQUIVALENT (1k00 = 1.00k & 15r0 = 15.0)
2. ALL CAPACITORS ARE POLYPROPYLENE, POLYSTYRENE, OR NPO/C0G CERAMIC TYPES (3n9 = 3.9 nF or 3900 pF)
3. X1 IS OPTIONAL WICKMANN 13942 SERIES 90 VOLT GAS TUBE ARRESTORS RECOMMENDED TO PROTECT AGAINST LIGHTNING INDUCED TRANSIENT VOLTAGES WHICH ARE COMMON TO SYSTEMS WITH VERY LONG CABLE RUNS.
4. USE GOOD HIGH FREQUENCY CONSTRUCTION TECHNIQUES. USE OF POWER & GROUND PLANES IS HIGHLY RECOMMENDED.
5. FOR INPUT LEVELS UP TO +24 dBu, USE JT-6110K-B SHOWN AS ALTERNATE

jensen	AS029
	09/18/95
7135 HAYVENHURST AVE. VAN NUYS, CALIFORNIA 91406 (818) 374-5857	