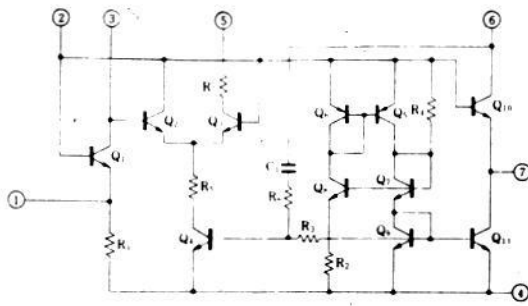


AN7213

# 4. IC & TRANSISTOR LEAD IDENTIFICATION

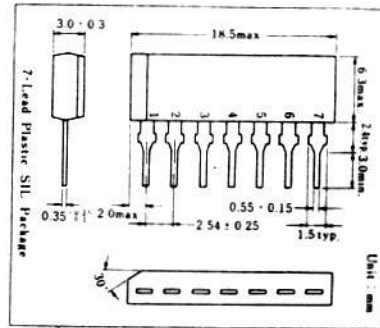
FM RF-IF  
AMP

### AN7213 CIRCUIT DIAGRAM

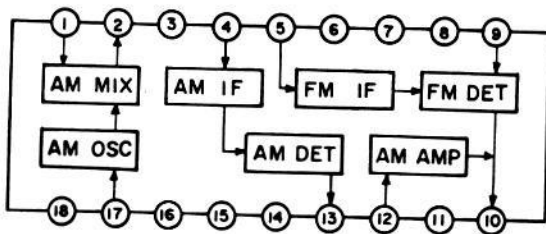


1.56

### PACKAGE DIMENSION

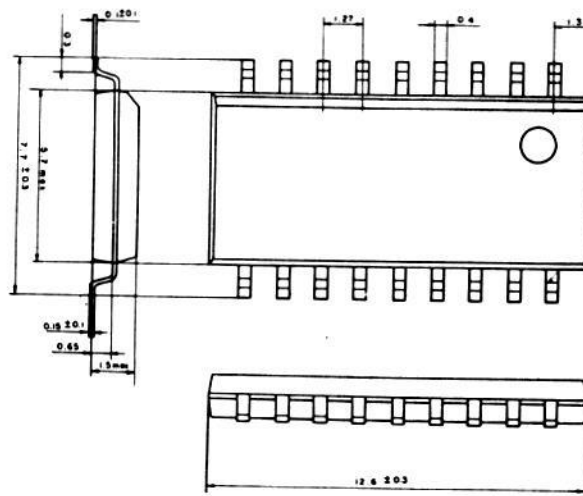


### AN7221 BLOCK DIAGRAM

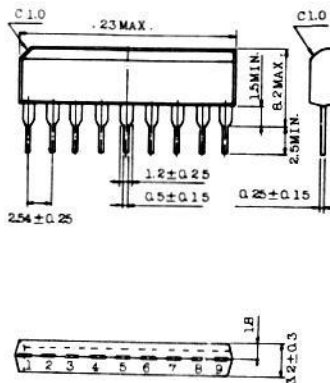


MHz

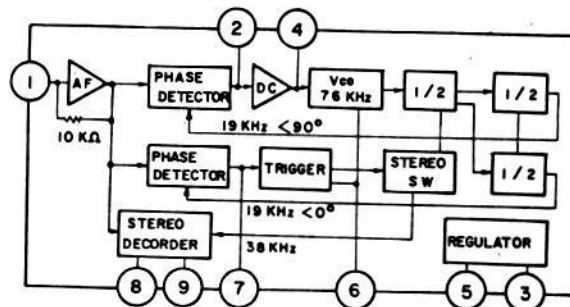
### PACKAGE DIMENSION



### TA7342P BLOCK DIAGRAM

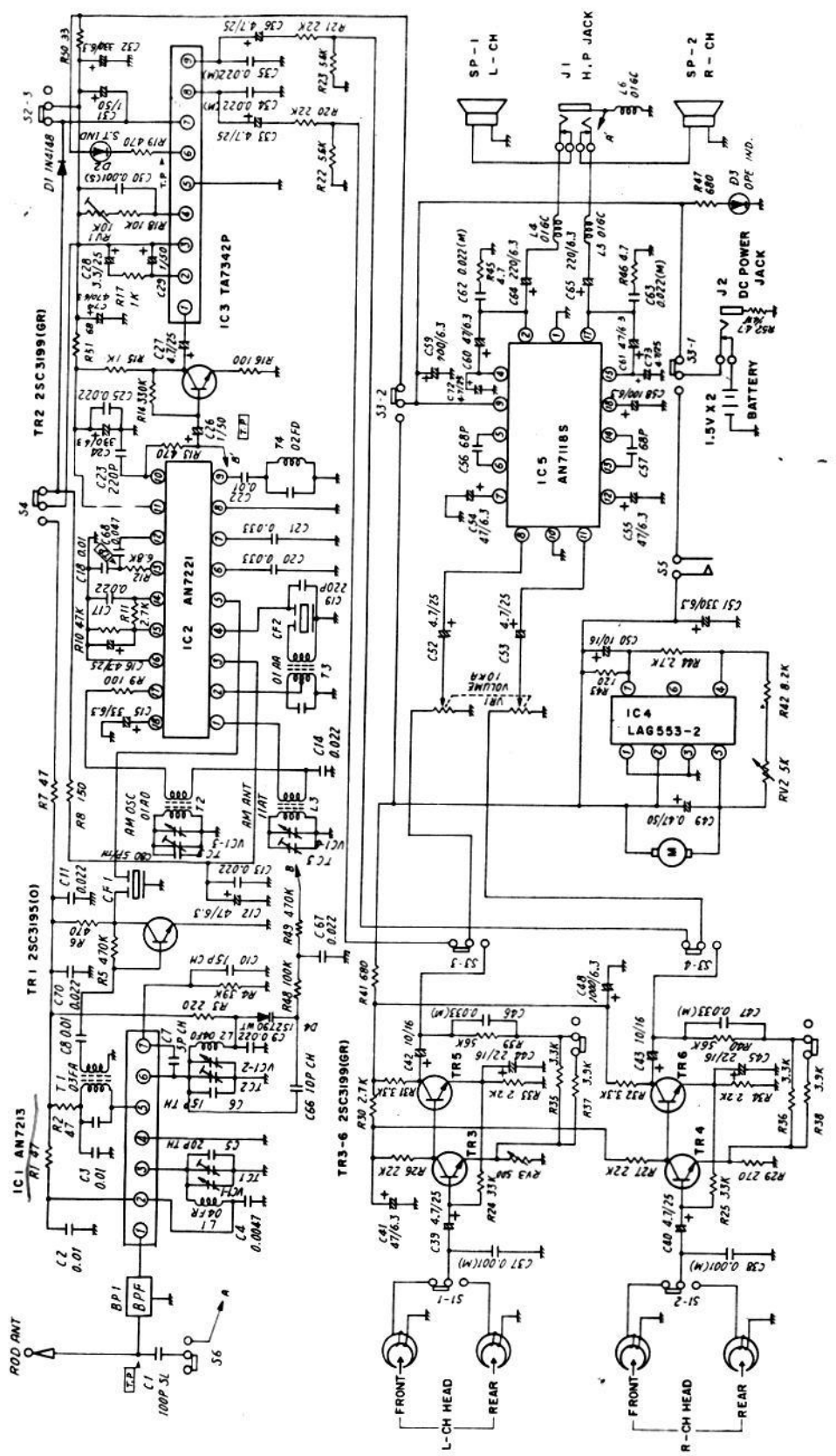
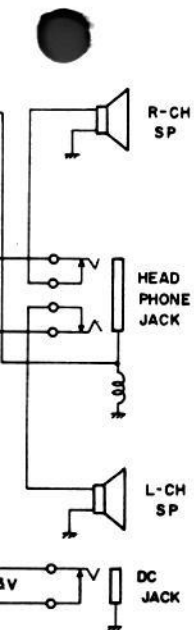


### PACKAGE DIMENSION



# 7. SCHEMATIC DIAGRAM

AN7213  
M898



on  
pointer and dial  
FT  
(TURN)  
ULLEY

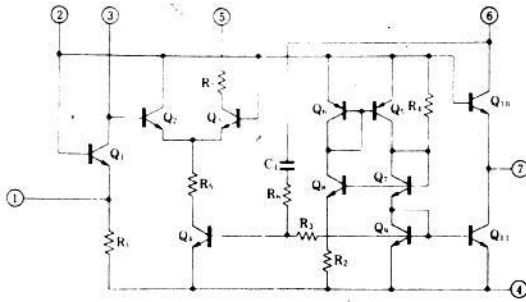
AN7221

# 4. IC & TRANSISTOR LEAD IDENTIFICATION

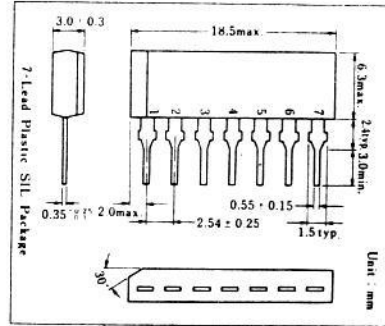
FM IF/DET

AM RF-IF-DET.

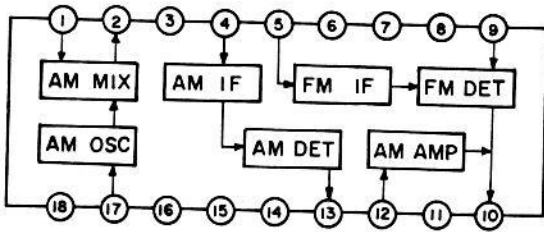
### AN7213 CIRCUIT DIAGRAM



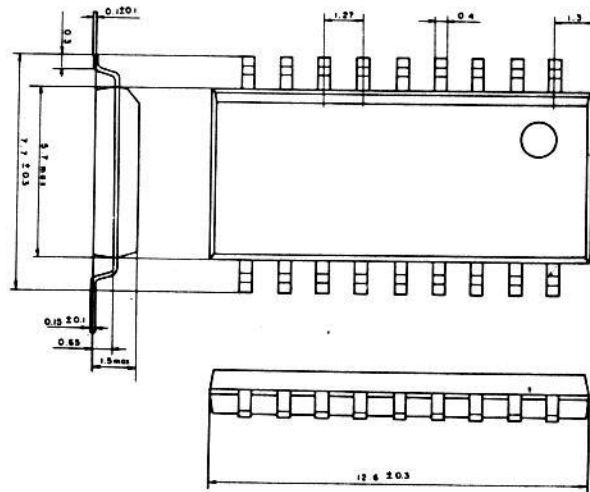
### PACKAGE DIMENSION



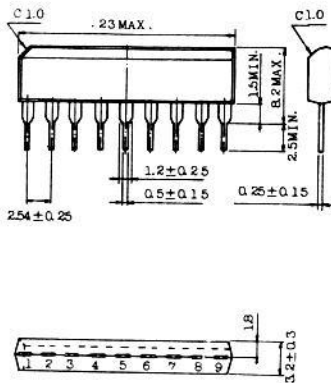
### AN7221 BLOCK DIAGRAM



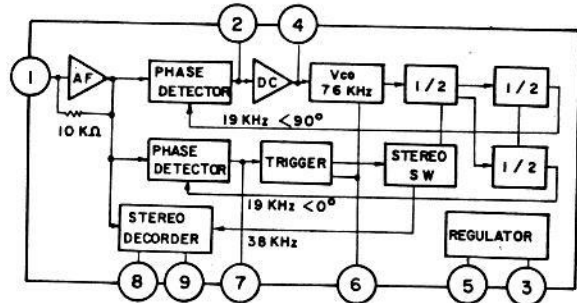
### PACKAGE DIMENSION



### TA7342P BLOCK DIAGRAM

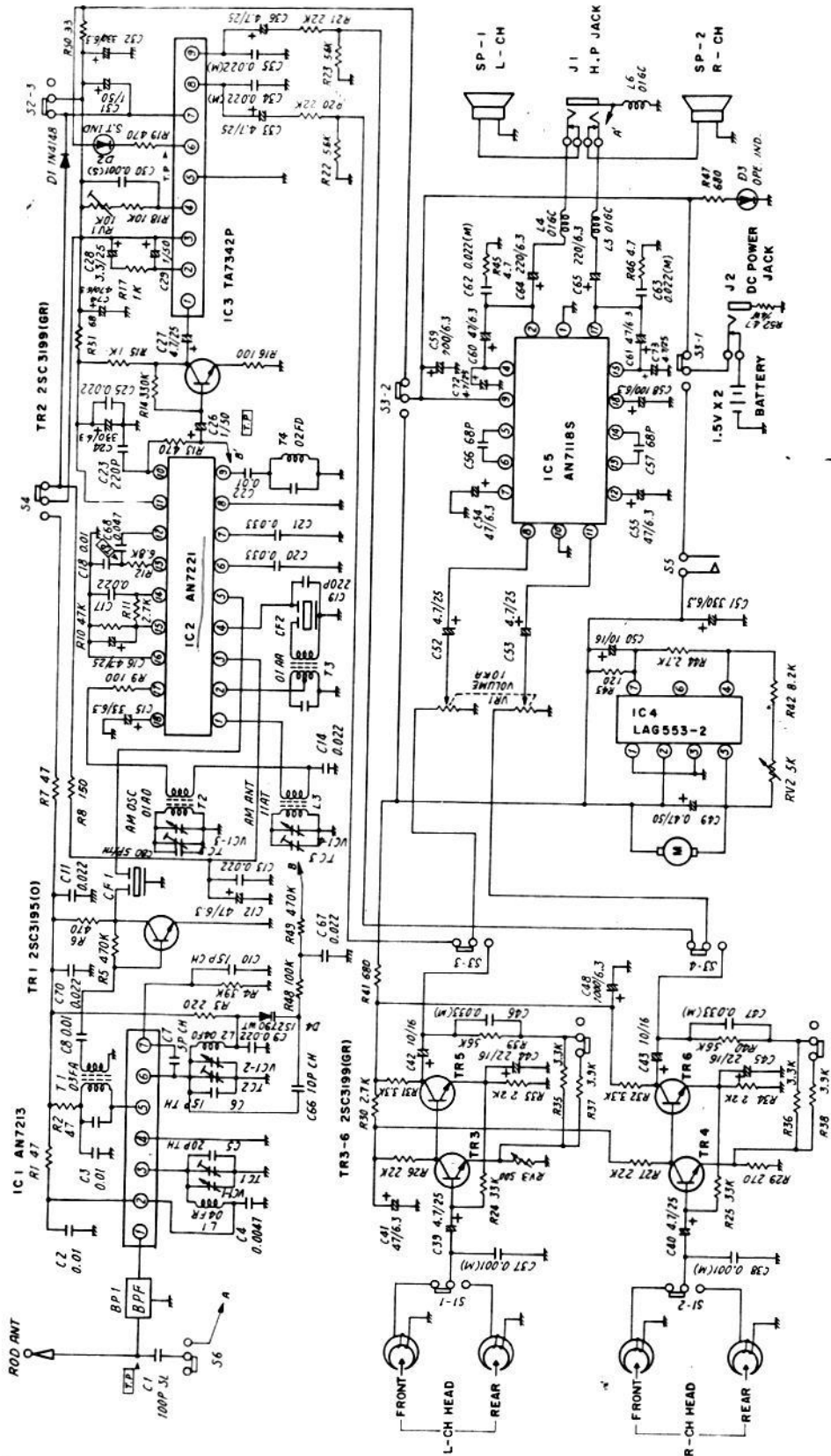
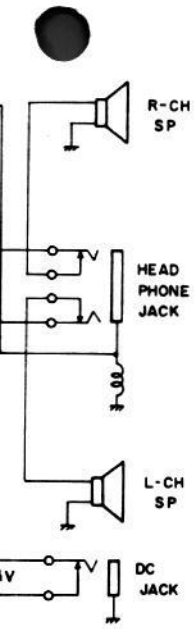


### PACKAGE DIMENSION



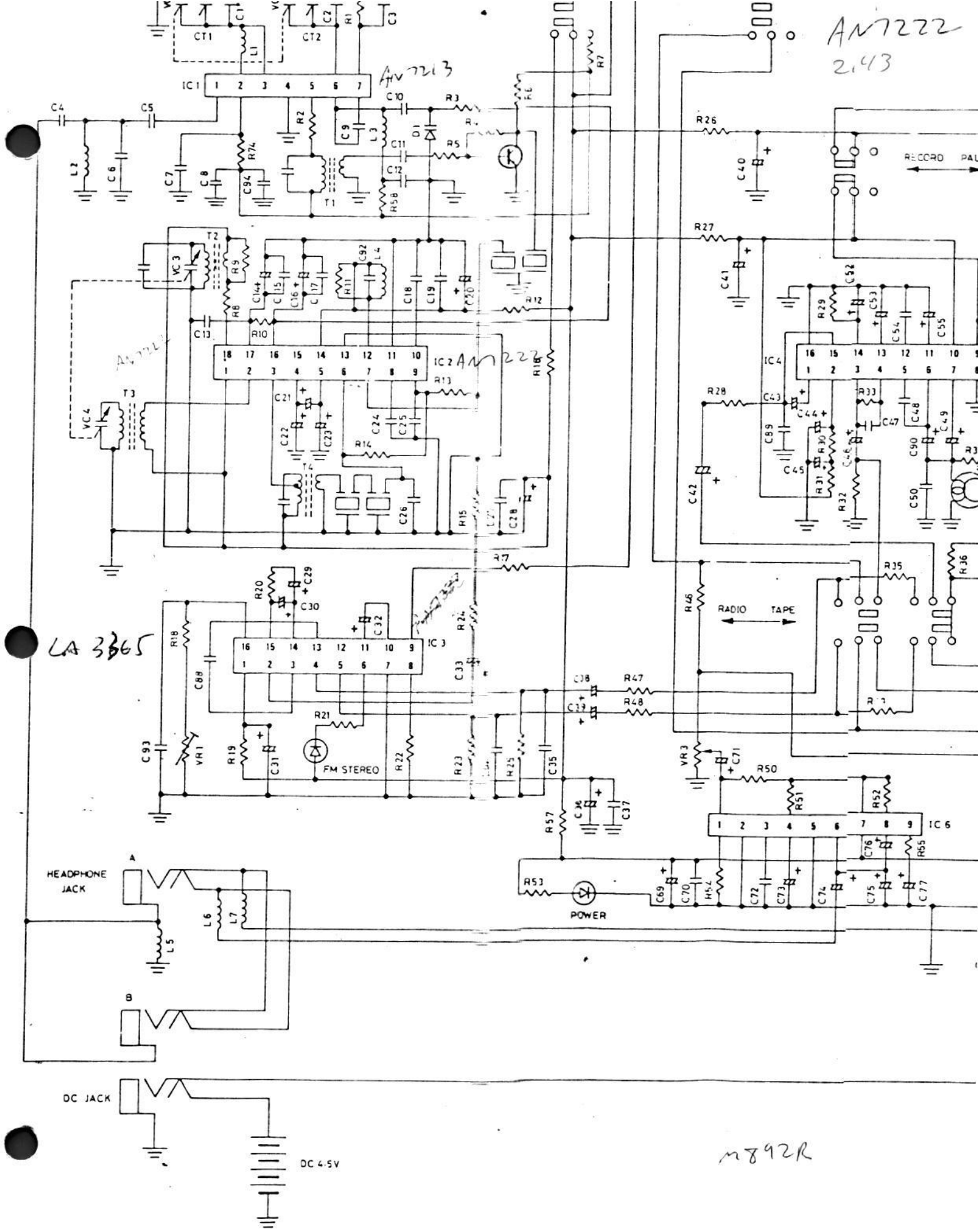
# 7. SCHEMATIC DIAGRAM

AN 721  
M898



pointer and dial  
URN)  
LLEY

AN7222  
2.43



LA 3365

m892R

DC 4-5V

HEADPHONE JACK

DC JACK

POWER

FM STEREO

RADIO TAPE

RECCRD PAU