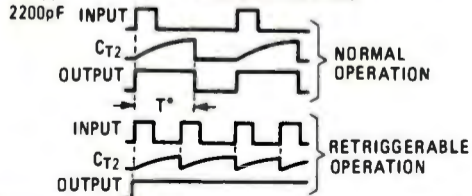
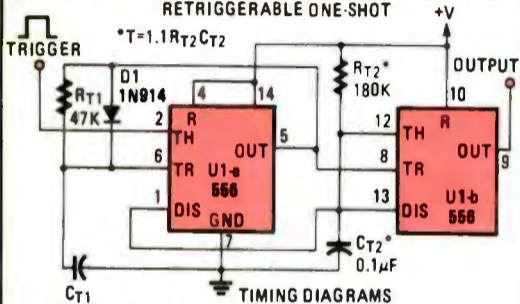
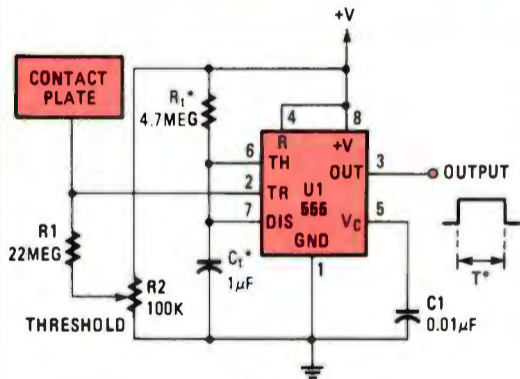


RETRIGGERABLE ONE-SHOT

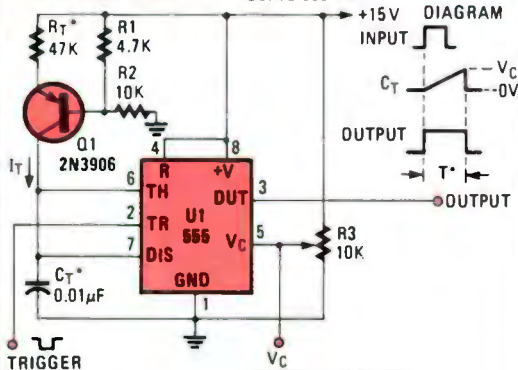


TOUCH-SWITCH CIRCUIT



$*T = 1.1R_1C_1$   
(CHOOSE  $R_1$  AND  $C_1$  FOR PULSE WIDTH GREATER THAN ANTICIPATED CONTACT TIME.)

## LINEAR-RAMP MONOSTABLE USING 555 TYPE



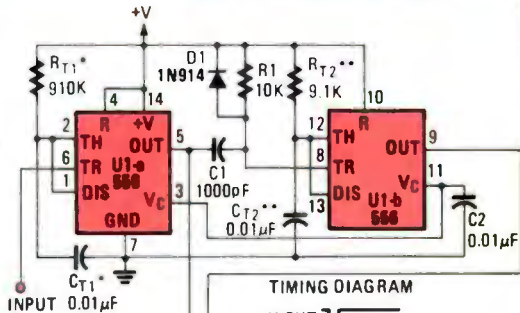
(CONTROL VOLTAGE)

\*FOR V+ OF 15V:

$$T = \frac{V_C C_T}{I_T} \quad I_T \cong \frac{4.2}{R_T} \quad T \cong 0.24 V_C R_T C_T$$

(AS SHOWN,  $T_{MAX} \cong 1 \text{ MS}$  WITH  $V_C = 10\text{V}$ .)

## DELAYED PULSE GENERATION



## TIMING DIAGRAM

$$*T_1 = 1.1 R_{T1} C_{T1}$$

$$**T_2 = 1.1 R_{T2} C_{T2}$$

(AS SHOWN,  $T_1 = 10 \text{ MS}$ ;  $T_2 = 100 \mu\text{S}$ .)