



RP-50 REMOTE CONTROL

(P/N 510-233)

Reference:  
P/N 790-038

ISSUE:  
October/83

The RP-50 Remote Control is a waterproof, hand-held remote course-setting station measuring 115 mm (4.5 in.) high X 60 mm (2.4 in.) wide X 55 mm (2.2 in.) deep and weighs 0.4 kg (9.9 lb.). It includes a DODGER switch and is supplied complete with 15 metres (50 ft.) of cable. The RP-50 is used with the Wagner S50 and S.E. Autopilots.



#### INSTALLATION

Refer to FIG. 3 on the back of this page. The RP-50 cable plugs directly into receptacle 3 on the back of the S50 Control Unit or into any of the three receptacles on the Multi-option Junction Box (P/N 550-091).

When the RP-50 is used with an S.E. Autopilot, the plug must be cut off and the cable run through the watertight gland on the back of the S.E. Control Unit. The individual wires are connected to a terminal strip. Refer to the S.E. Autopilot manual (P/N 790-004) SECTION II, INSTALLATION PROCEDURE. If a Multi-option Junction Box is wired into the S.E. Control Unit, the RP-50 may retain its plug-in feature, connecting to the Junction Box.

All wires must be firmly connected. A loose wire or a short circuit may cause an erroneous steering command.

#### OPERATION

With the autopilot steering the vessel and SEA STATE and RUDDER in their adjusted positions, pull the RUDDER control outward. This will disable the autopilot. Go to the RP-50, select the desired heading and switch to "ON". To change course, simply turn the RP-50 course dial to the new heading.

To dodge an object in the water, press and hold the spring-centered DODGER switch to 'PORT' or 'STBD' as required. The autopilot will return the vessel to the remote station course dial setting when the switch is released.

To return steering to the Control Unit, switch the RP-50 "OFF". Go to the Control Unit, select the course heading, push the RUDDER control inward and autopilot control is returned to the Control Unit. (NOTE: The RP-50 must be turned "OFF" when not used for remote course setting, otherwise it will adversely affect the operation of the autopilot. However, the RP-50 (in the "OFF" position) may be used as a DODGER when steering with the Control Unit. The autopilot will return the vessel to the Control Unit course dial setting when the DODGER switch is released.)

The RP-50 may also be used as a non follow-up (jog) controller by turning RUDDER on the Control Unit to the 'SET' position and simply operating the DODGER switch. (The RP-50 does not need to be switched "ON".) The autopilot will not function and the rudder will remain at its immediate position when the DODGER switch is released.

FIG. 1

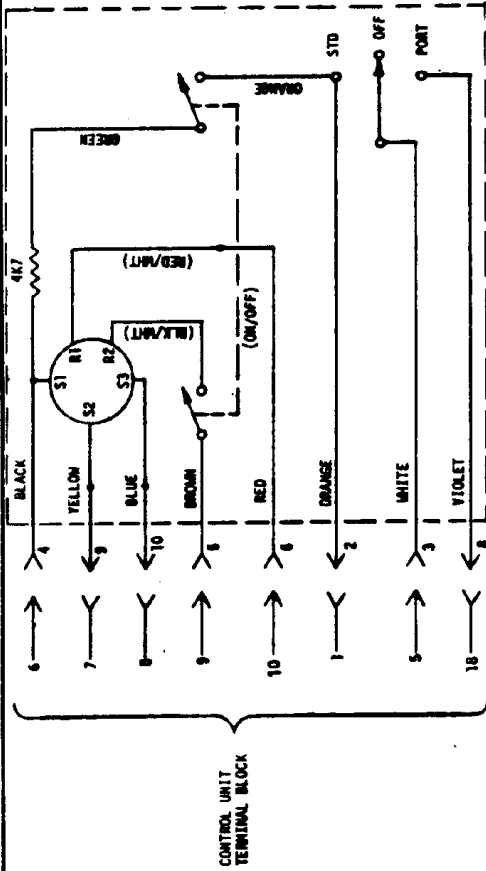
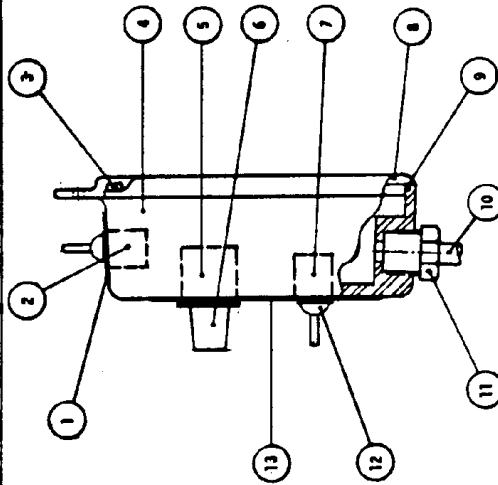


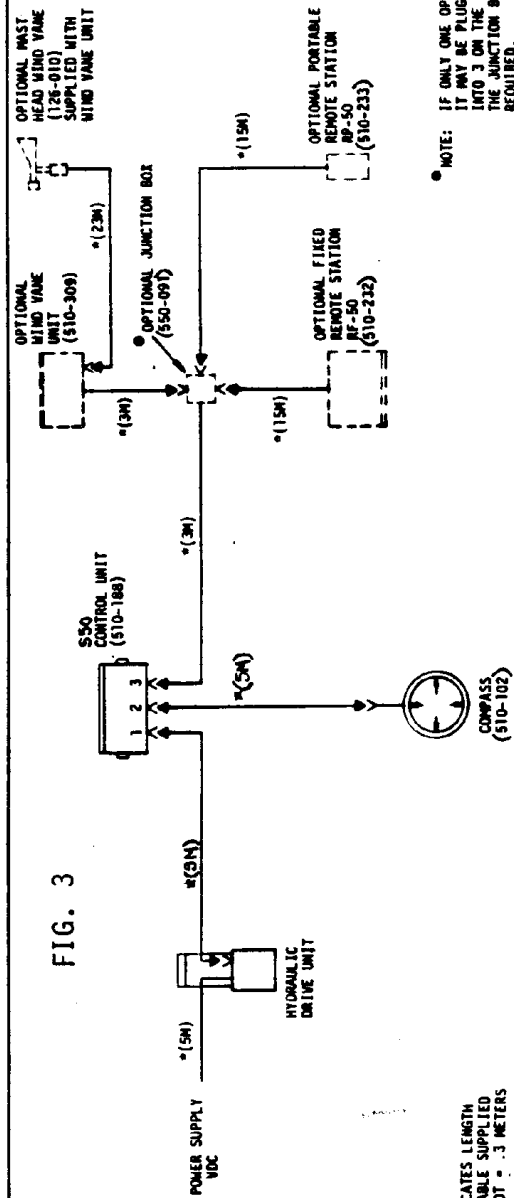
FIG. 2



PARTS LIST HAND REMOTE

ITEM	QTY	PART NO.	DESCRIPTION
1	1	660-180	KNOB
2	1	210-023	TOGGLE SWITCH
3	4	603-058	SCREEN
4	1	655-102	HOUSING
5	1	470-052	SYNCHRO
6	1	620-028	KNOB
7	1	210-001	TOGGLE SWITCH
8	1	650-147	BACK PLATE
9	1	615-005	D-RING
10	50'	750-105	CABLE
11	1	610-018	CABLE CLAMP
12	2	211-002	TOGGLE SWITCH SEAL
13	1	660-156	LABEL

FIG. 3



\*NOTE: IF ONLY ONE OPTION IS USED, IT MAY BE PLUGGED DIRECTLY INTO J3 ON THE CONTROL UNIT. THE JUNCTION BOX IS NOT REQUIRED.

\*INDICATES LENGTH OF CABLE SUPPLIED 1 FOOT = .3 METERS

INITIAL	QUANTITY	DESCRIPTION	MATERIAL
<b>WAGNER ENGINEERING LTD.</b> <small>45 GOSPORT PLACE NORTH VANCOUVER B.C. CANADA V1M3C3</small> <small>Manufacturers of Marine Hydraulic Steering Gear and Automatic Pilots</small>			
<b>PARTS LIST AND WIRING FOR RP-50 REMOTE CONTROL</b>			
DATE	SCALE	QUOTE NO.	REV.
DEC/51	—		C-6-252
DRAWING NO. REV.			