

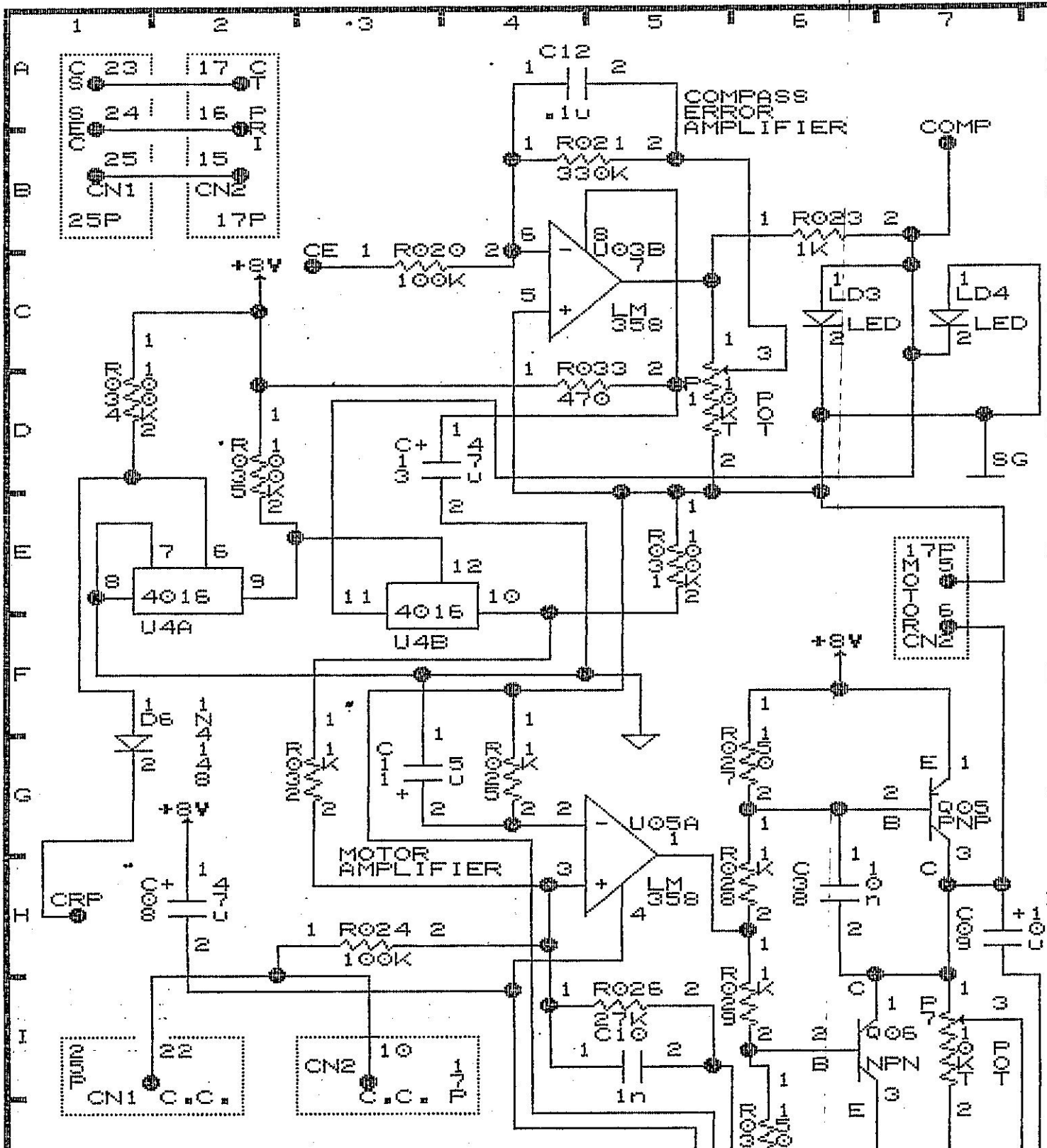
DETECTOR SECTION

OSCILLATOR SECTION

ANOTHER AUTOPILOT
 OSCILLATOR AND
 DETECTOR SECTIONS
 INTERCOMPTENTIAL
 ENGINEERING
 4400 WILSON BLVD
 SUITE 100
 WASHINGTON DC 20004

Drawn	D. FRASER
Eng	D. FRASER
Chk	HCD
Dwg	A1
Rec	DEC. 6/88
Date	MAY 9/88

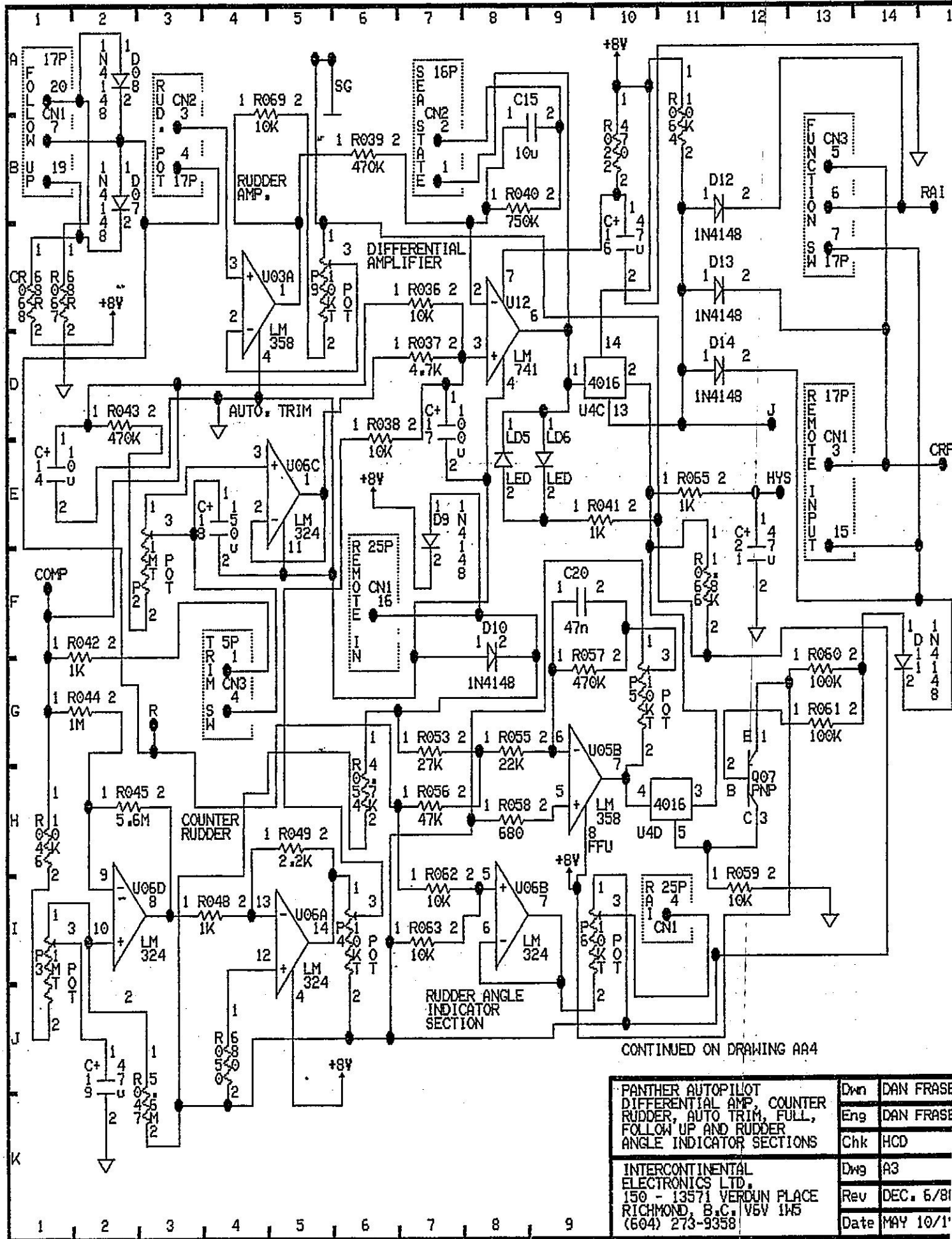
CONTINUED ON
DRAWING AR2



INTERCONTINENTAL
 TELECOMMUNICATIONS LTD.
 11000 BELLEVUE BLVD.
 BELLEVUE, WA 98003
 (206) 451-1000

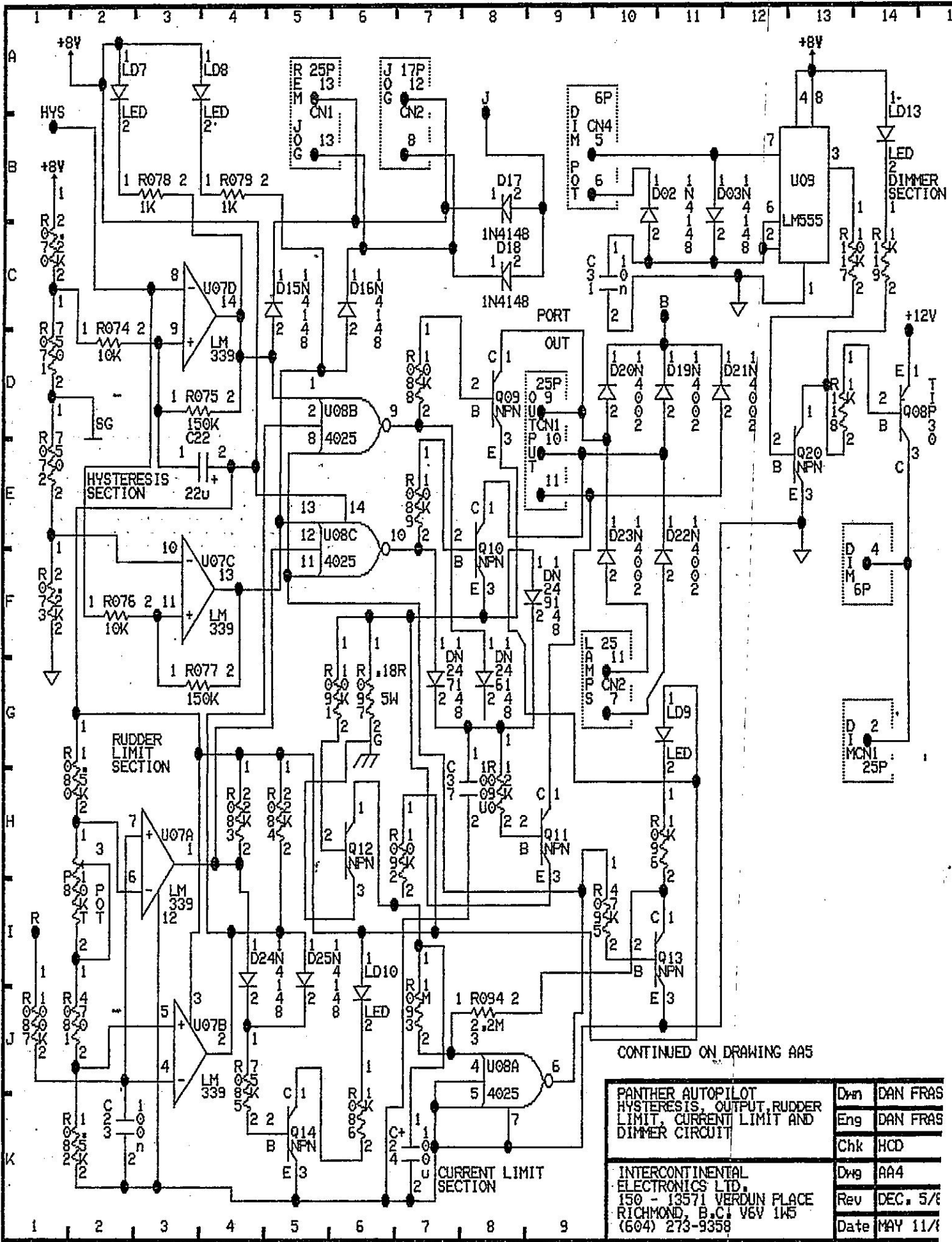
Dwn	D. FRASER
Eng	D. FRASER
CHK	HCD
Dwg	AA2
Rev	DEC. 6/88
Date	MAY 5/88

DRAWING CONTINUED
 ON SHEET ARG
 7



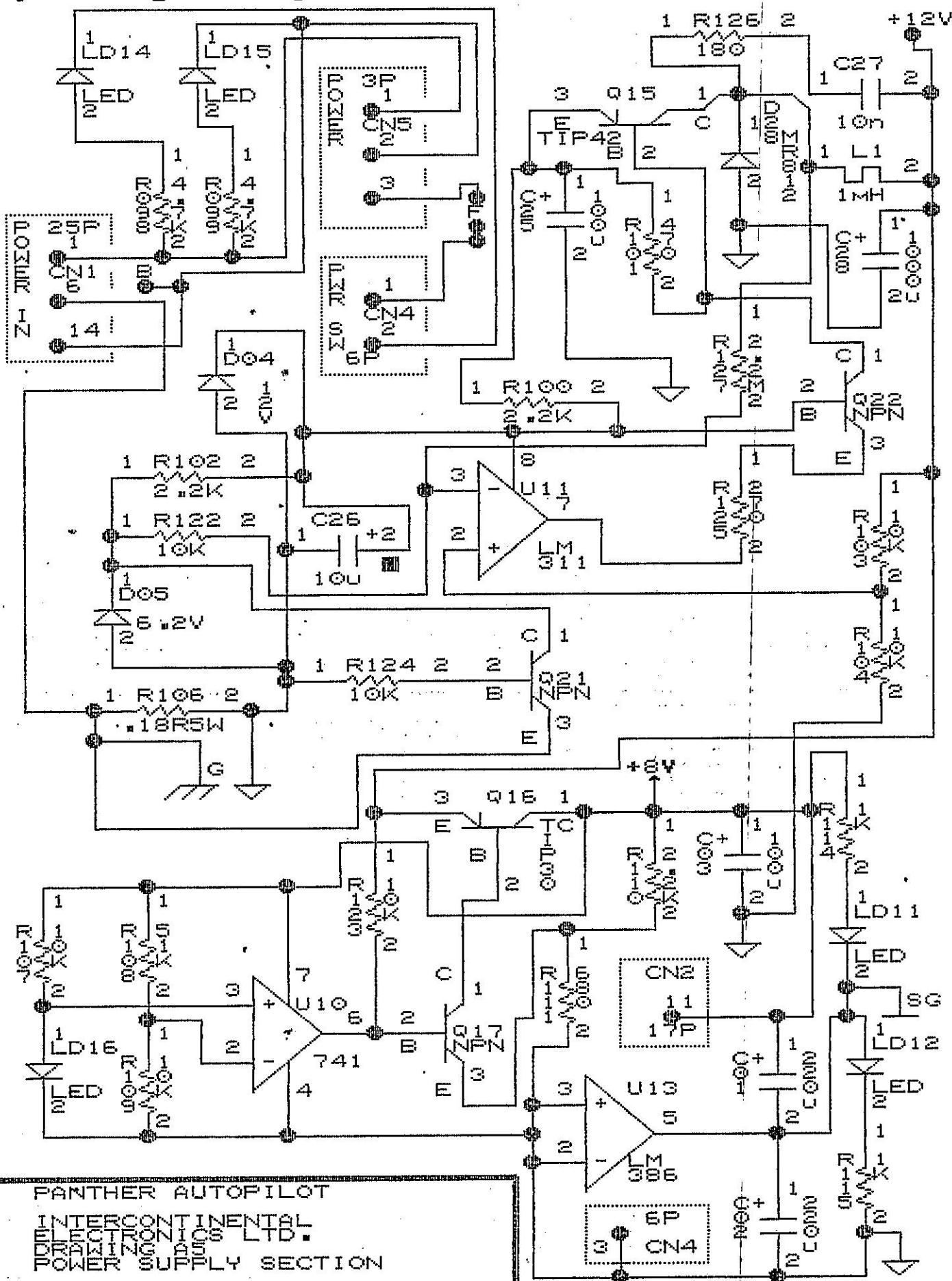
CONTINUED ON DRAWING AA4

PANTHER AUTOPILOT	Dwn	DAN FRASE
DIFFERENTIAL AMP, COUNTER	Eng	DAN FRASE
RUDDER, AUTO TRIM, FULL,	Chk	HCD
FOLLOW UP AND RUDDER		
ANGLE INDICATOR SECTIONS		
INTERCONTINENTAL	Dwg	A3
ELECTRONICS LTD.	Rev	DEC. 6/81
150 - 13571 VERDUN PLACE	Date	MAY 10/1
RICHMOND, B.C. V6V 1W5		
(604) 273-9358		



CONTINUED ON DRAWING AA5

PANTHER AUTOPILOT HYSTERESIS, OUTPUT, RUDDER LIMIT, CURRENT LIMIT AND DIMMER CIRCUIT		Dwg	DAN FRAS
		Eng	DAN FRAS
		Chk	HCD
INTERCONTINENTAL ELECTRONICS LTD. 150 - 13571 VERDUN PLACE RICHMOND, B.C. V6V 1W5 (604) 273-9358		Dwg	AA4
		Rev	DEC. 5/6
		Date	MAY 11/6



PANTHER AUTOPILOT
 INTERCONTINENTAL
 ELECTRONICS LTD.
 OWNER SUPPLY SECTION