

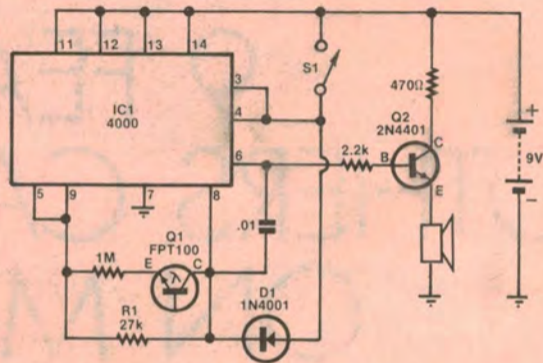
Cudlipp's sister a ladybug

Those who were intrigued with Cudlipp (EA, February 1982) and Cudlipp's Brother (EA, June 1982, p84) will want to know about Cudlipp's sister. Now Cudlipp's sister does not like light, she loathes it. While ever you leave the light on to read she complains. You could have fun by building the whole Cudlipp family and hiding them in some poor soul's room.

When the light is on, Cudlipp's sister complains. When the light is off, Cudlipp's brother starts up and if the victim starts swearing, Cudlipp himself chimes in. Pity the poor victim — he can't read, can't sleep and can't swear.

The circuit is basically a NOR-gate oscillator which has its pitch controlled by the photo-transistor Q1. Changing R1 to a higher value will give a lower-pitched wail and vice versa.

K. Mueller,
Greensborough, Vic.



Cudlipp's sister consists of a NOR-gate oscillator driving a loudspeaker via transistor Q2.