

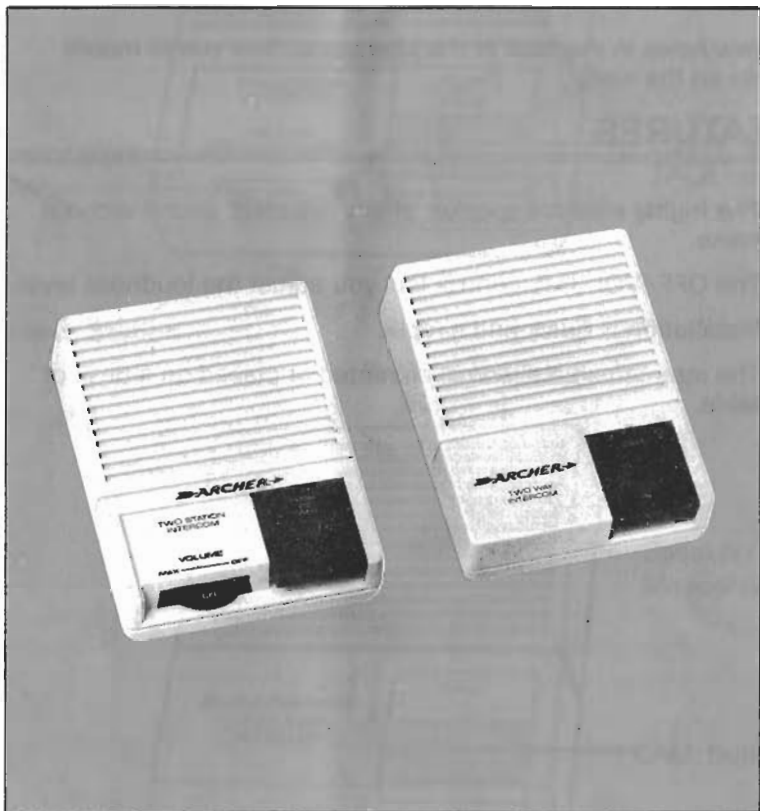
OWNER'S MANUAL

† 1P = Red/Grn
RING = GRN/RED

43-222A

2-STATION WIRED INTERCOM

PLEASE READ BEFORE USING THIS EQUIPMENT



*TRADEMARKS OF
TANDY CORPORATION

ARCHER®*

Your Archer® Intercom System can be used for home, office, shop, or even in motorhomes. Use it for convenient monitoring of activities in another room, such as when you're babysitting.

Your System includes one Master station and one Remote station with 20m (66-foot) interconnecting cable and staples to attach the cable to a wall, floor, base-board, etc. All you need is one 9-volt battery, such as Radio Shack's 23-553.

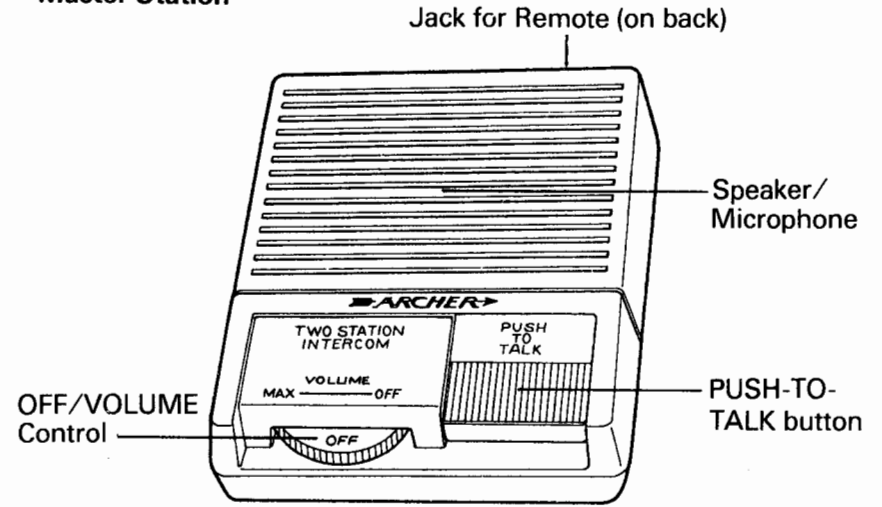
Screw holes in the back of the intercoms allow you to mount them on the wall.

FEATURES

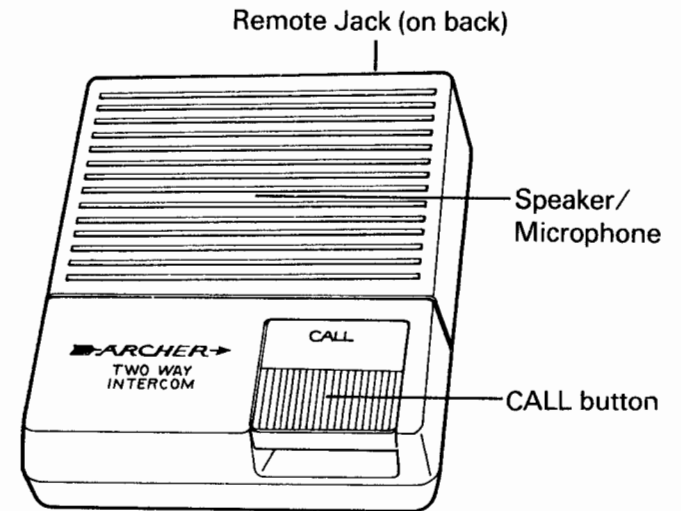
- The highly efficient speaker offers you clear sound without noise.
- The OFF/VOLUME control lets you adjust the loudness level.
- Installation is quick and simple.
- The intercoms can be wall-mounted or placed on a desk or table.

CONTROLS

Master Station



Remote Station

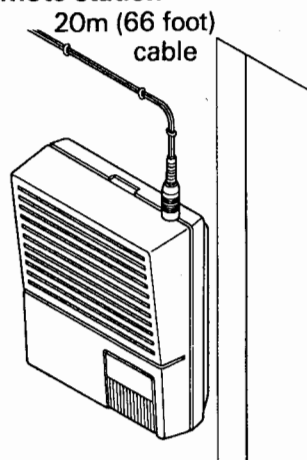


INSTALLATION

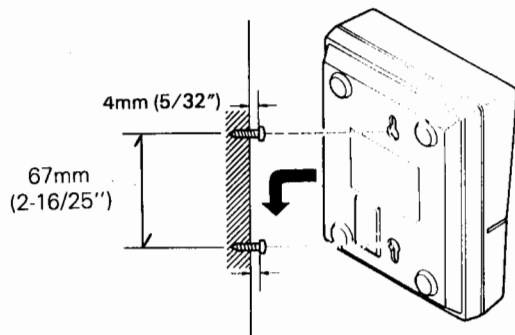
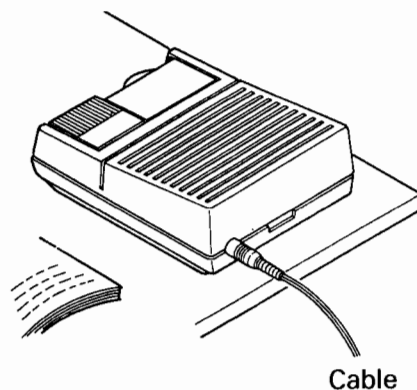
First decide the best location for the Master unit and the Remote station. Mount them where they best suit your needs. Each unit has screw holes on the back for wall-mounting or for some other semi-permanent installation. Be sure the 20m (66-foot) cable will reach between units.

Run the interconnecting cable between the units. If desired, place the cable out-of-sight and always where it won't be in the way.

Remote station

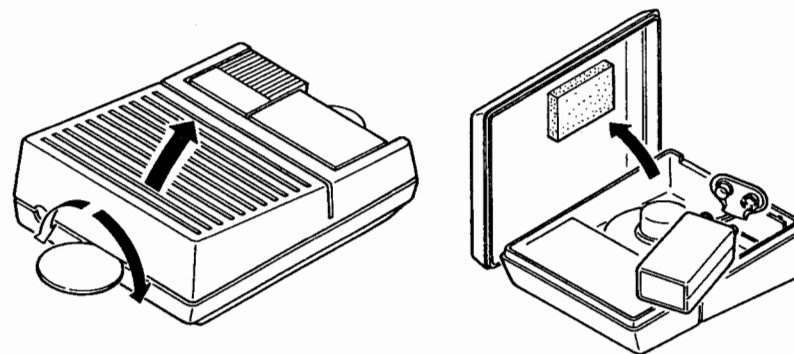


Master station



BATTERY INSTALLATION

1. Insert a coin in the slot between the top and bottom case of the Master unit. Twist it slightly to separate the case.
2. Snap the battery connector over the terminals of a 9-volt battery, observing proper polarity (+ and -).
3. Place the battery in line with the cushion material inside the case.
4. Replace the back cover and snap the case together.



When you're not using the Intercom System, always turn the Master unit off. This conserves battery power and extends the life of the System. Under normal use, an alkaline battery lasts for a few months.

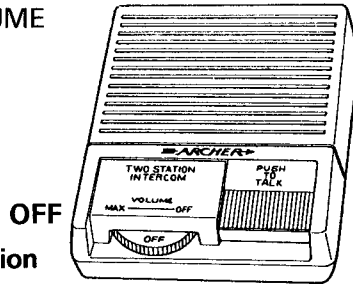
If communication between the units becomes weak and distorted, replace the battery. Always use an alkaline battery, such as Radio Shack's 23-553.

OPERATION

To Call a Station

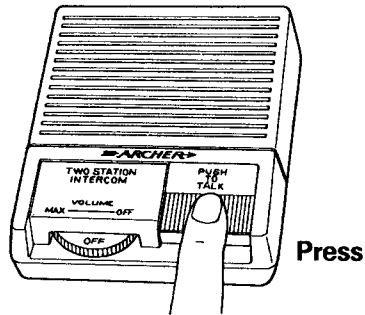
1. Leave the Master OFF/VOLUME control in the OFF position.

Master Station



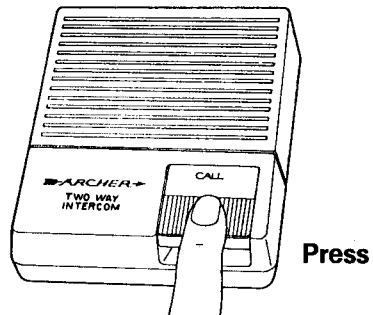
2. For the Master unit:
Press the PUSH-TO-TALK button to call the Remote station.

Master Station



3. For the Remote station:
Press the CALL button to call the Master station.

Remote Station

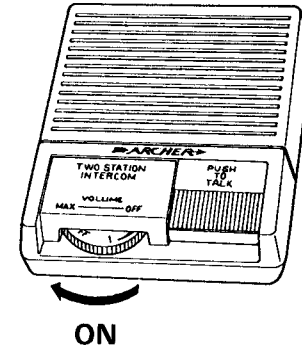


Note: The call signal will function only when the Master is set to OFF.

To Communicate with a Station

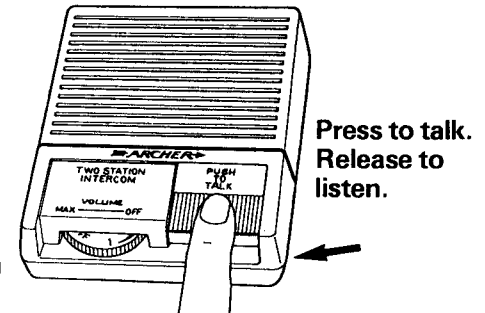
1. Turn the Master OFF/VOLUME control clockwise until it clicks ON.

Master Station



2. For the Master station:
Press the PUSH-TO-TALK button and talk. Release to listen. Adjust the VOLUME control as necessary.

Master Station



3. For the Remote station:
Speak into the microphone and listen at the speaker grille without pressing the button.

Note: The CALL button is only for signalling a call.

MAINTENANCE

Your Intercom is an example of superior design and craftsmanship, and should be treated with care. The suggestions below will help you enjoy this product for many years.



Keep it dry. If water should get on it, wipe it off. Water contains minerals that can corrode electronic circuits.



Do not store in hot areas. High temperatures can shorten the life of electronic devices, damage batteries, and warp or melt certain plastics.



Do not drop it. This might cause permanent damage. The circuit boards and case can be broken.



Do not use or store it in dusty, dirty areas. This will cause premature wear of moving parts.



Do not use harsh chemicals, cleaning solvents, or strong detergents to clean it. Wipe it with a soft cloth dampened in a mild soap-and-water solution.



Be sure batteries are the correct type -- do not use general purpose batteries if alkaline batteries are recommended. Remove old, weak batteries -- they can leak chemicals that damage electronic circuits.

If the unit is not working properly, take it to your local Radio Shack. The personnel there will assist you and, if necessary, arrange service.

SPECIFICATIONS

Power Requirements: 9V DC from battery

Receiver

Input sensitivity
at output 50mW: 200 μ V
Output Power at 10%
Distortion: 300mW
Frequency Response
(-6dB at VR max.): 600Hz - 4000 Hz

Transmitter

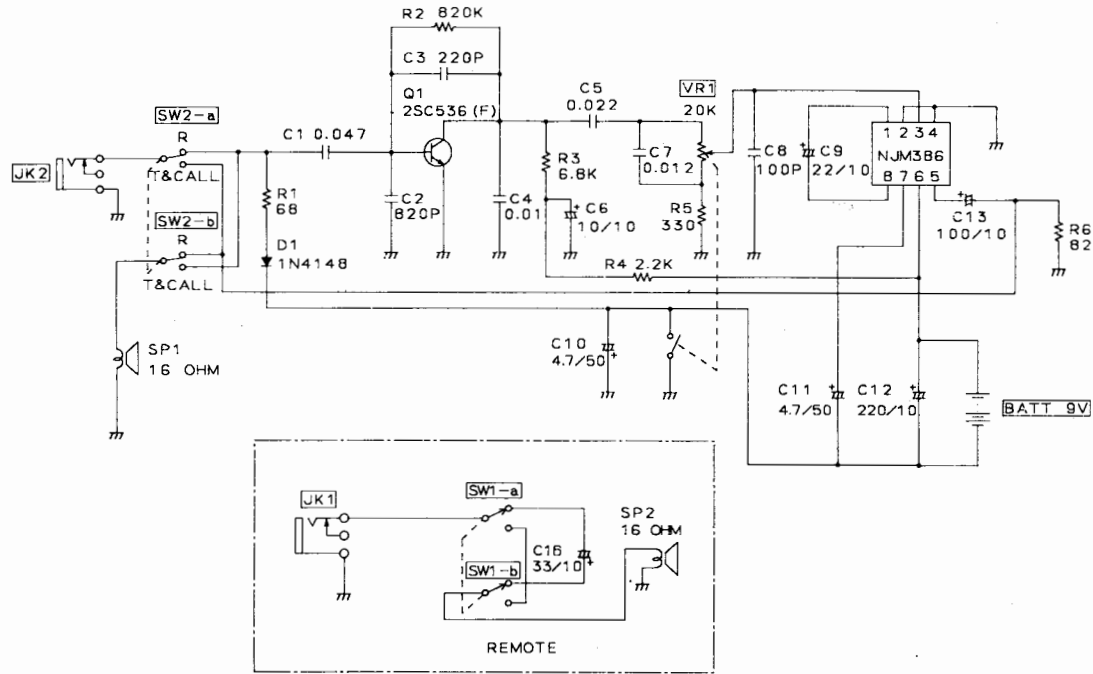
Mic. sensitivity
at output 50mW: 200 μ V
Output Power at 10%
Distortion: 160mW
Frequency Response
(-6dB at VR max.): 600Hz - 4000Hz

Dimensions:

Master station: 105mm \times 85mm \times 38.4 mm
((L)4-9/64"X(W)3-7/16"X(D)1-33/64")

Remote station: The same as Master station.

Weight: Master station: 135g (5 ounces)
Remote station: 110g (4 ounces)



SCHEMATIC DIAGRAM

- NOTES: (1) ALL RESISTANCE VALUES ARE INDICATED IN "OHM" (K=10³ OHM)
 (2) ALL CAPACITANCE VALUES ARE INDICATED IN "μF" (P=10⁻⁶ μF)
 (3) SW1 CALL SW: PUSH TO CALL
 (4) SW2 PUSH TO TALK & CALL SW

Schematic subject to change without notice. For most accurate schematic (and parts) contact Radio Shack, National Parts Dept., Barrie, Ontario, L4M, 4W5.