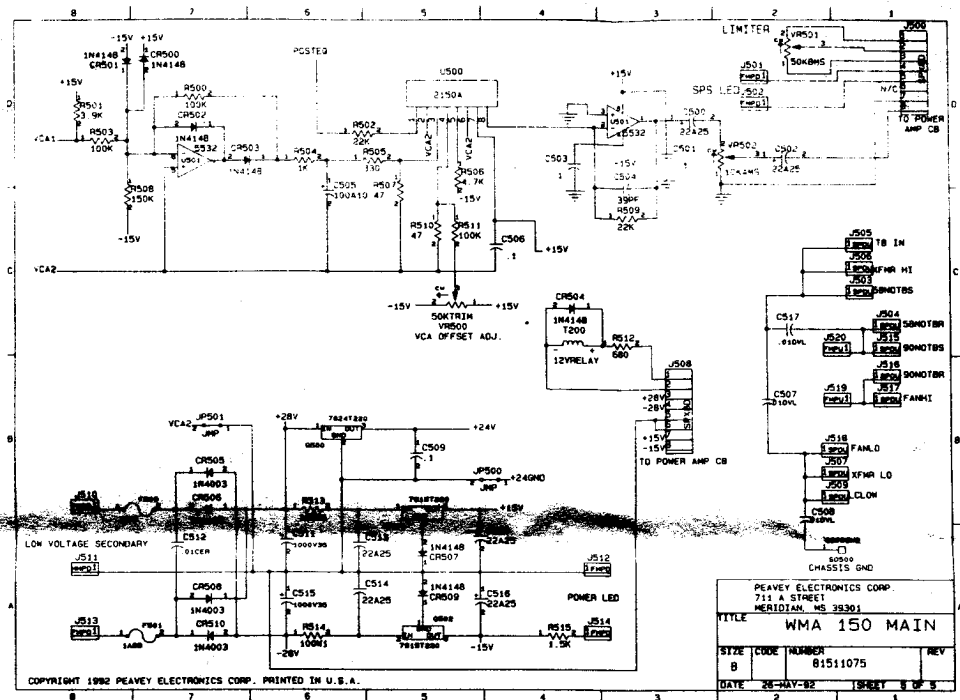


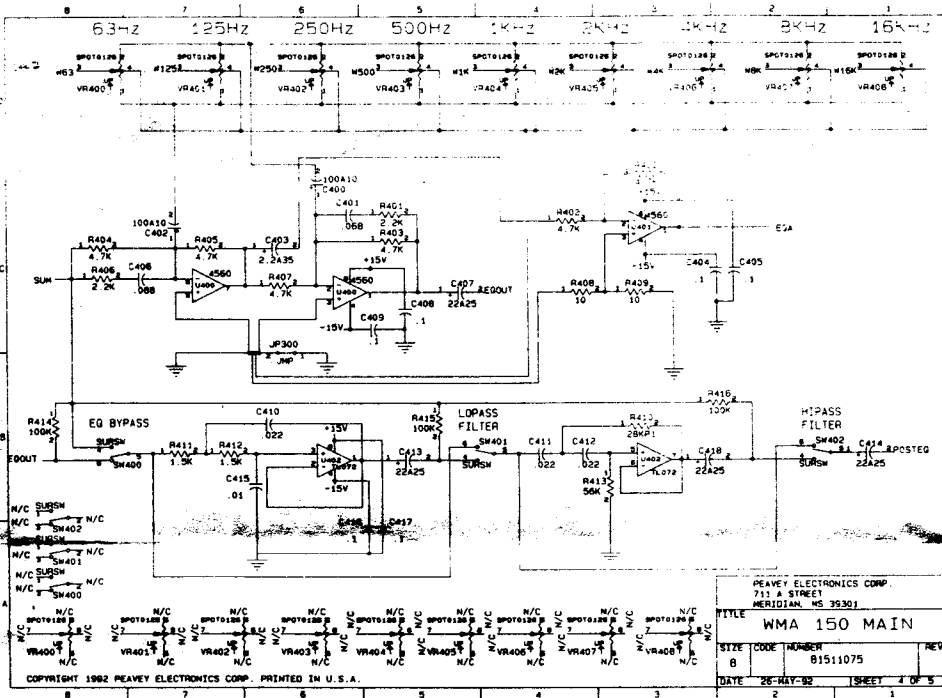
COPYRIGHT 1982 PEAVEY ELECTRONICS CORP. PRINTED IN U.S.A.

PEAVEY ELECTRONICS CORP.
 711 A STREET
 MERIDIAN, MS 39301



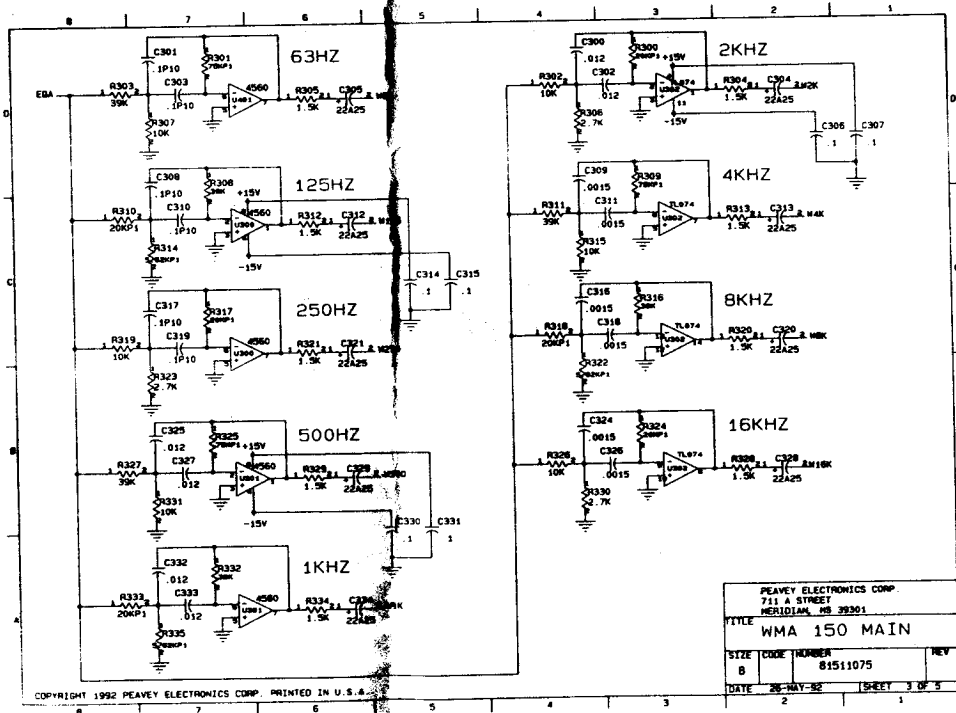
COPYRIGHT 1982 PEAVEY ELECTRONICS CORP. PRINTED IN U.S.A.

PEAVEY ELECTRONICS CORP. 711 A STREET MERRIDEN, NE 68301			
TITLE WMA 150 MAIN			
SIZE B	CODE 81511075	NUMBER	REV
DATE 26-JUL-82	SHEET 6 OF 8		

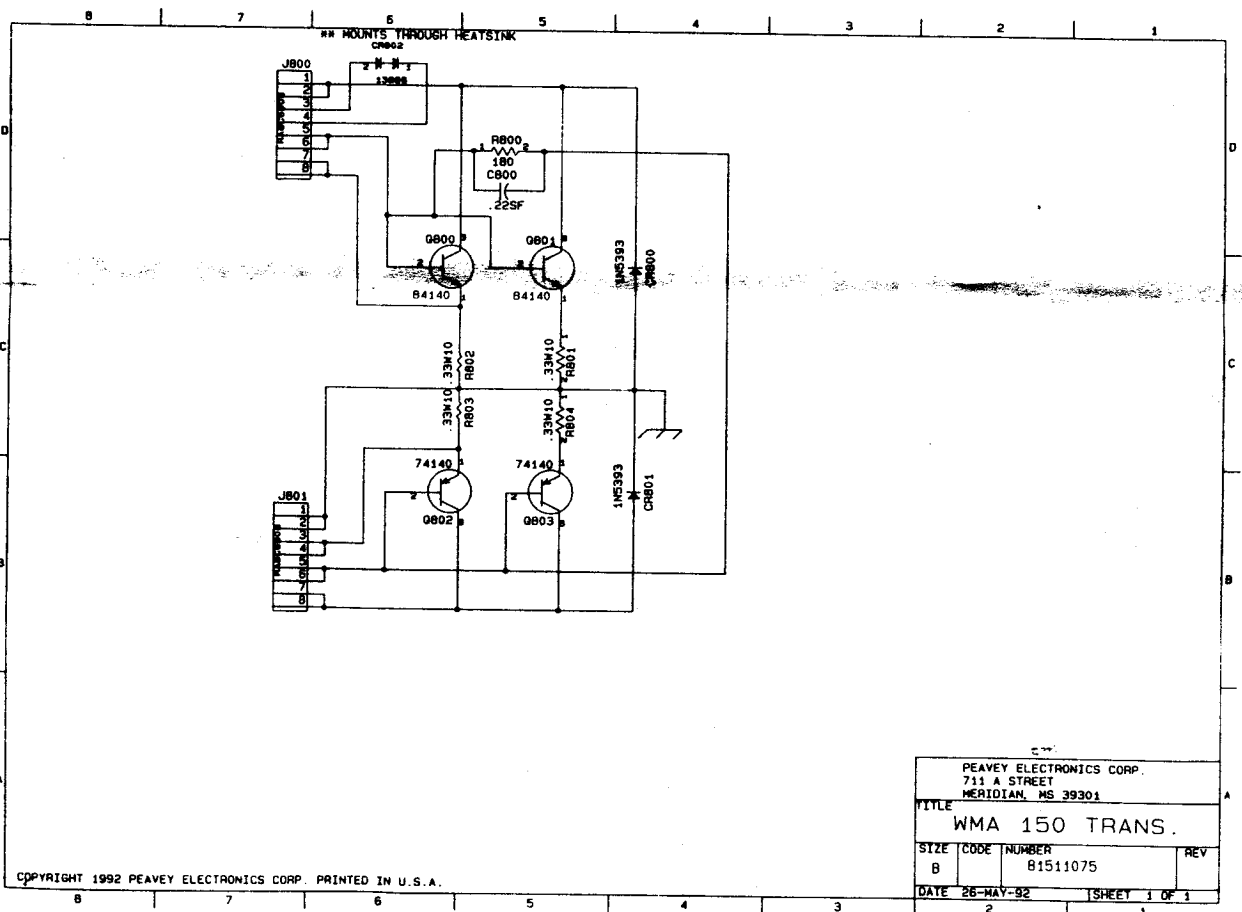
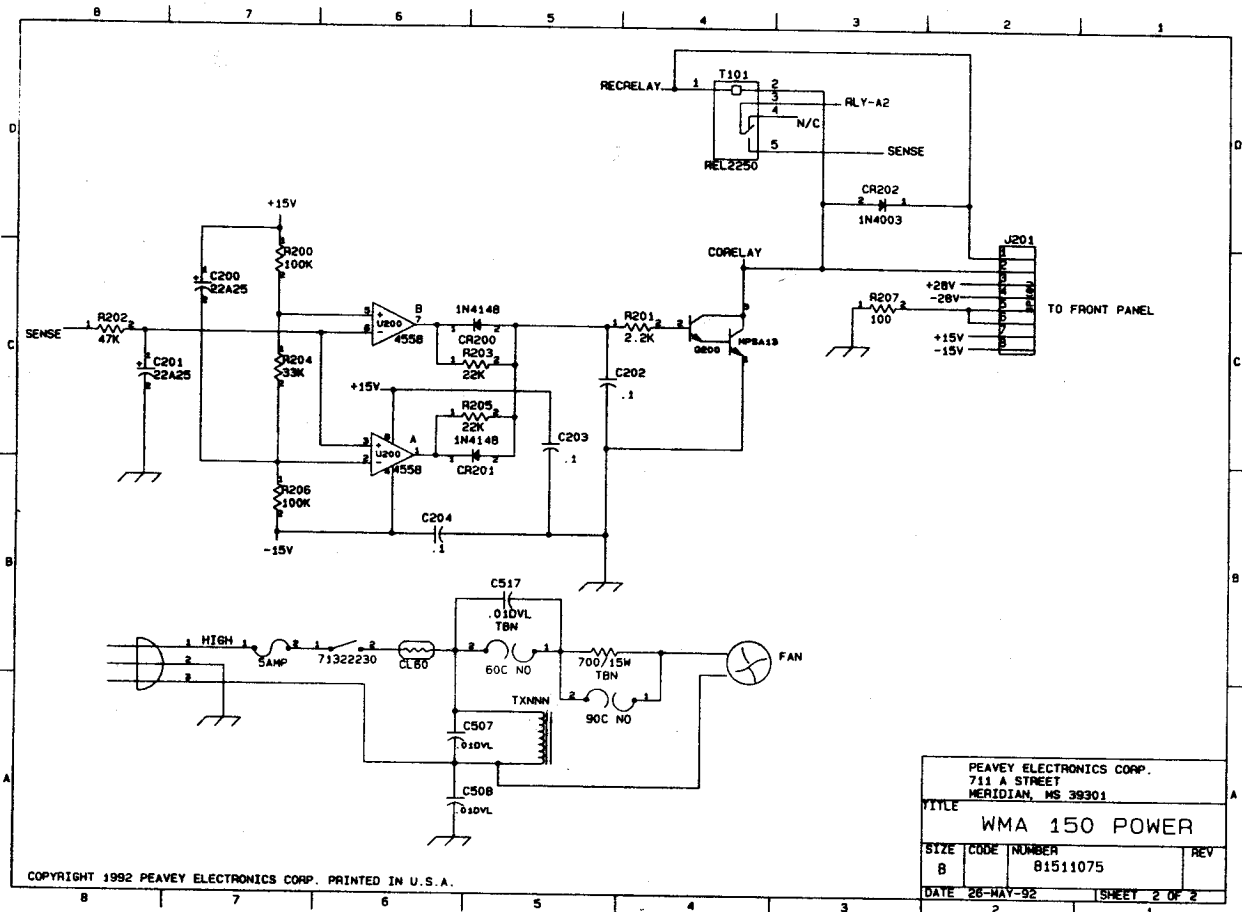


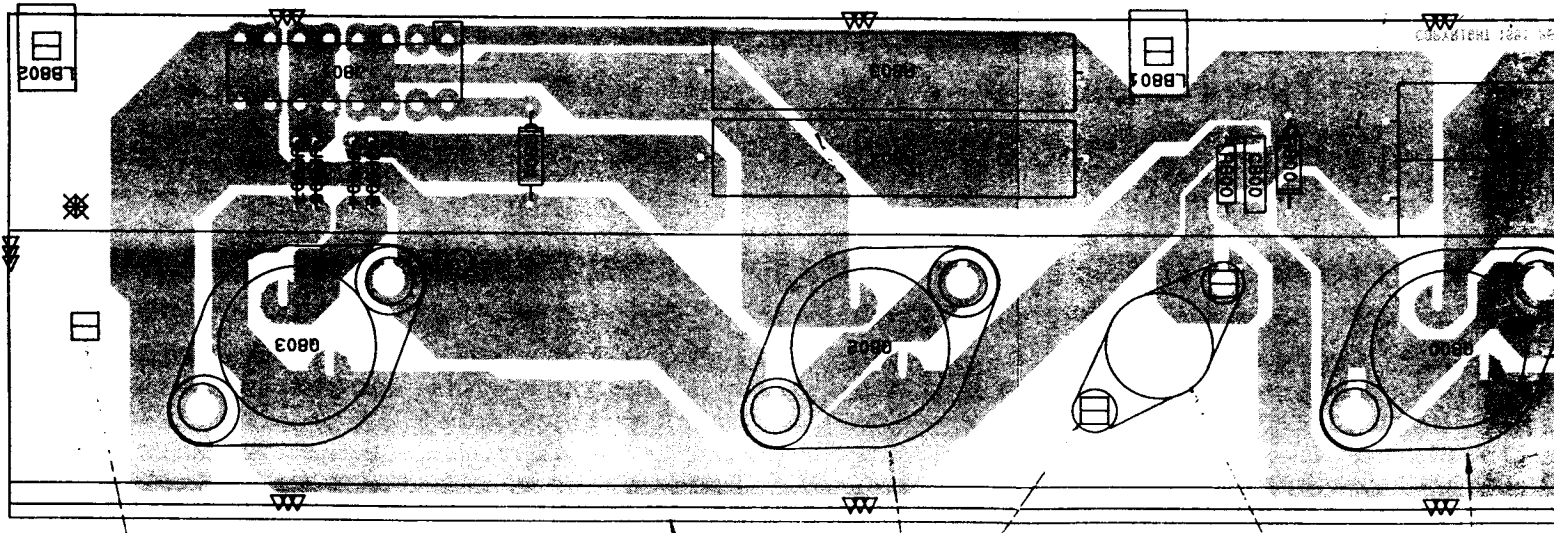
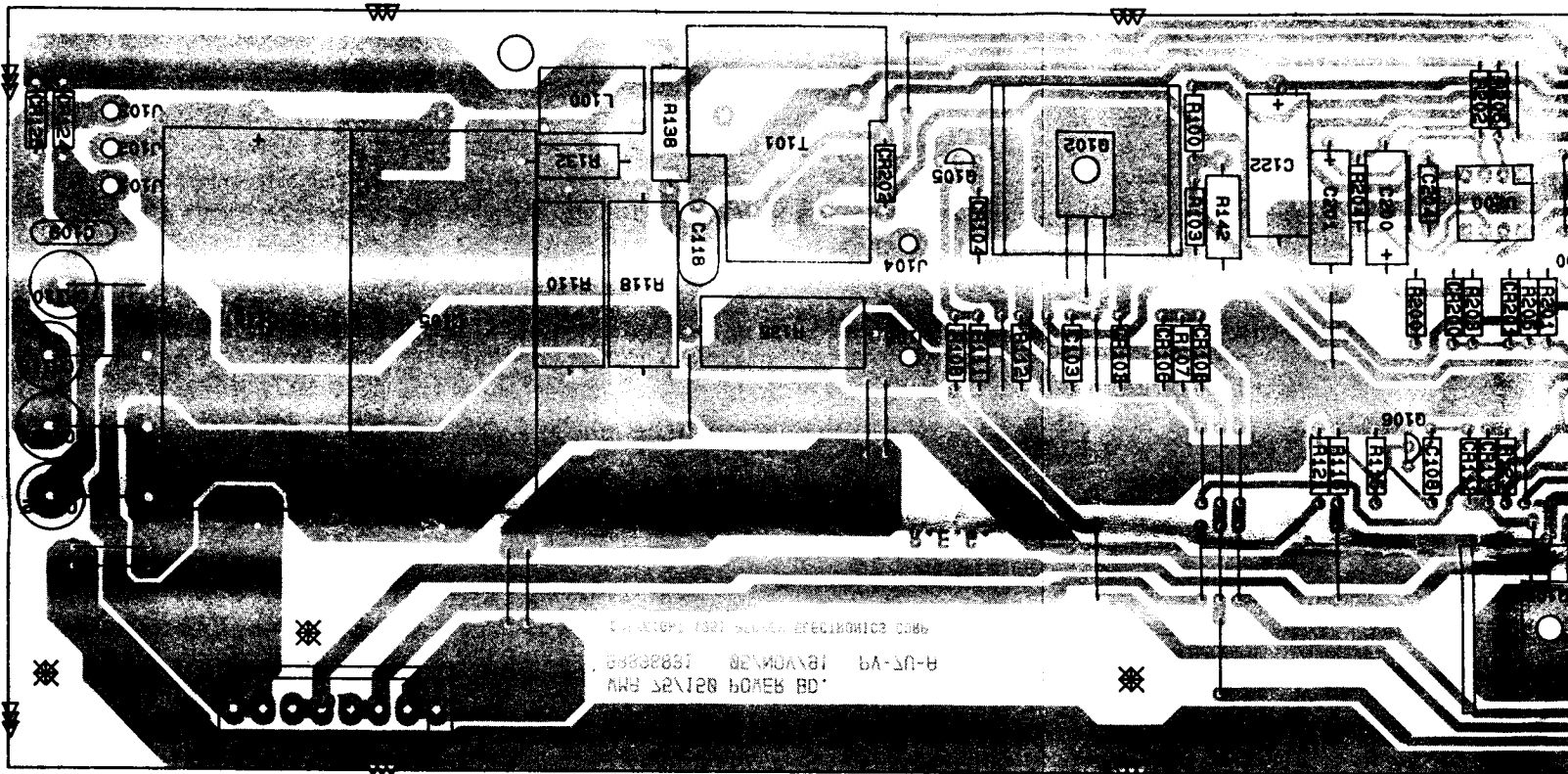
COPYRIGHT 1982 PEAVEY ELECTRONICS CORP. PRINTED IN U.S.A.

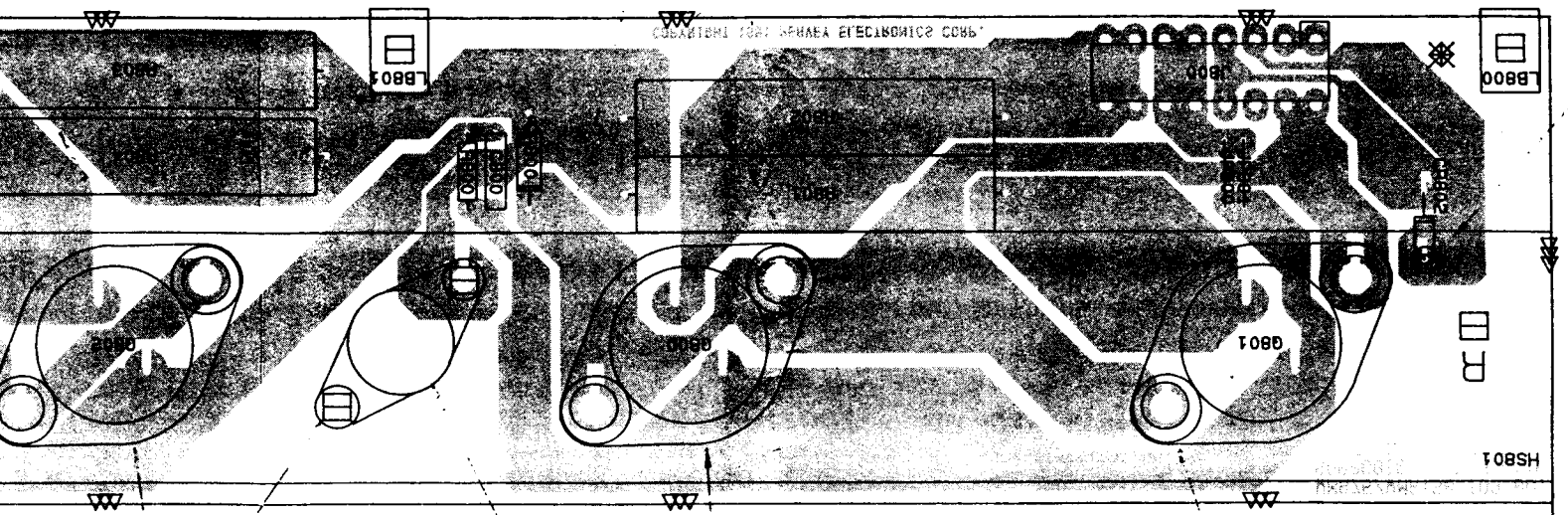
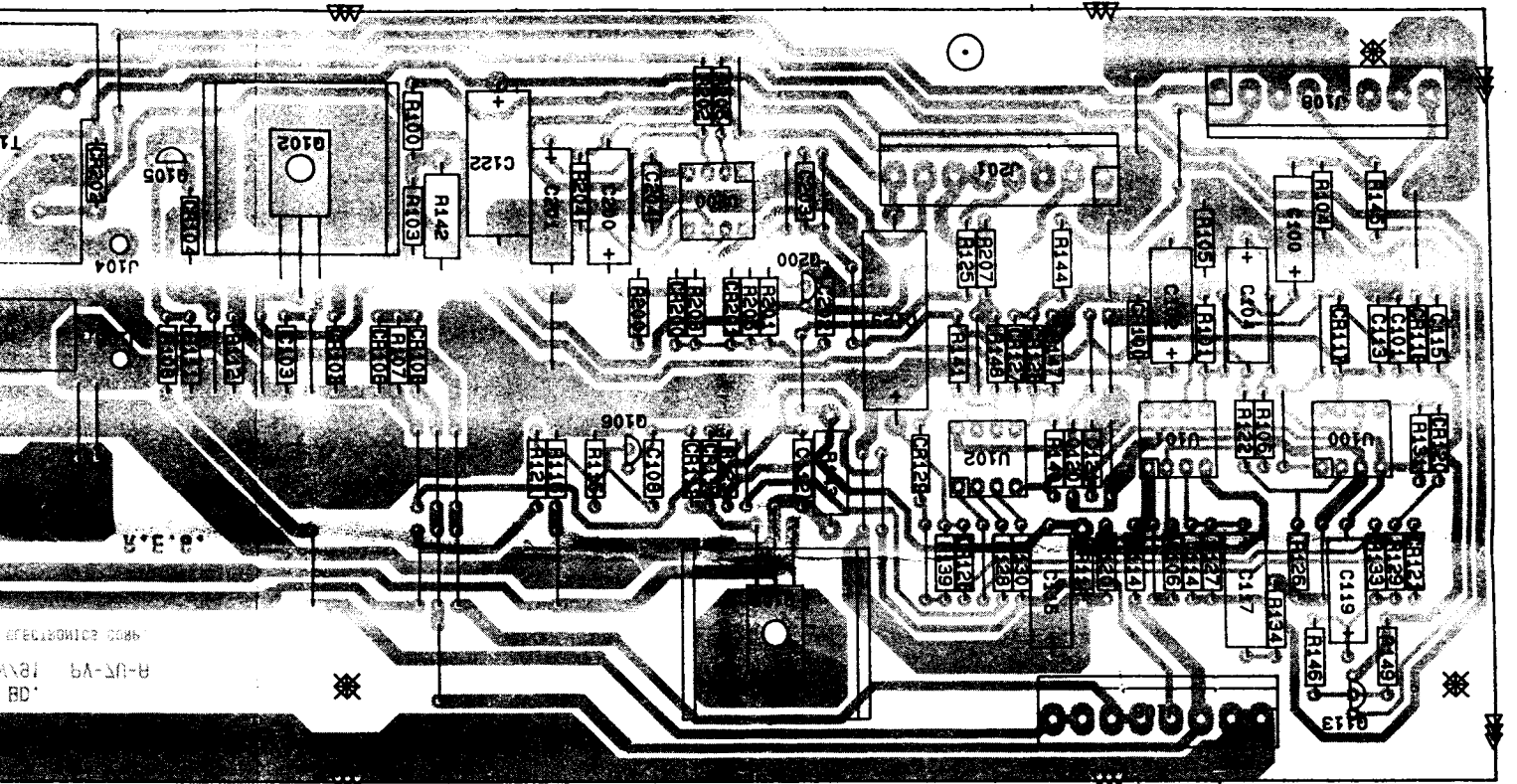
PEAVEY ELECTRONICS CORP. 711 A STREET MERIDIAN, MS 39301		
TITLE WMA 150 MAIN		
SIZE 8	CODE NUMBER 81511075	REV
DATE 26-MAY-82	SHEET 4 OF 5	



PEAVEY ELECTRONICS CORP. 711 A STREET MERRIDALE, MS 39301		
TITLE WMA 150 MAIN		
SIZE B	CODE NUMBER 81511075	REV
DATE 26 MAY 82	SHEET 3 OF 5	







WMA 150 POWER BD.

NAME	VALUE	NUMBER	DESCRIPTION
C100	2.2A35	70320200	2.2MFD 35VDC LY.CAP T&R
C101	39PF	70340052	39PF 50V TUB CER T&R
C102	22A25	70320012	22 MFD 25VDC LYT. CAP. T&R
C103	100PF	70340054	100PF 10% 50V TUB CER T&R
C104	22A25	70320012	22 MFD 25VDC LYT. CAP. T&R
C105	4700C105	70340102	4700MFD @ 105 DEG C
C106	39PF	70340052	39PF 50V TUB CER T&R
C108	.015	70340010	.015 MFD 10% 50V T/C T&R
C109	.01CER	70320099	.01MFD 1000VDC CD-UNCUT
C110	4700C105	70340102	4700MFD @ 105 DEG C
C112	100PF	70340054	100PF 10% 50V TUB CER T&R
C113	.1	70340100	.1 MFD +80-20LV AX.LP.T&R
C114	39PF	70340052	39PF 50V TUB CER T&R
C115	.1	70340100	.1 MFD +80-20LV AX.LP.T&R
C116	22A25	70320012	22 MFD 25VDC LYT. CAP. T&R
C117	22A25	70320012	22 MFD 25VDC LYT. CAP. T&R
C118	.1POLY	70330103	.1 MFD 200 POLY.CAP.
C119	10MFD	70320198	10 MFD LOW LEAKAGE C. * T&R
C120	.1	70340100	.1 MFD +80-20LV AX.LP.T&R
C121	.1	70340100	.1 MFD +80-20LV AX.LP.T&R
C122	100A25	70320014	100 MFD 25 VDC LYTIC CAP
C123	220A25	70320102	220 MFD 25 VDC LYTIC
C200	22A25	70320012	22 MFD 25VDC LYT. CAP. T&R
C201	22A25	70320012	22 MFD 25VDC LYT. CAP. T&R
C202	.1	70340100	.1 MFD +80-20LV AX.LP.T&R
C203	.1	70340100	.1 MFD +80-20LV AX.LP.T&R
C204	.1	70340100	.1 MFD +80-20LV AX.LP.T&R
CR100	1N4744	70440102	SZG40102 15V 5% ZENER DIO
CR102	MR752H	70400752	MR-752/P600D 200V,6A SLD
CR103	1N4148	70464148	1N4148 75V 10MA SILICON DIODE
CR104	1N4148	70464148	1N4148 75V 10MA SILICON DIODE
CR106	1N4148	70464148	1N4148 75V 10MA SILICON DIODE
CR107	MR752H	70400752	MR-752/P600D 200V,6A SLD
CR108	1N4148	70464148	1N4148 75V 10MA SILICON DIODE
CR110	MR752H	70400752	MR-752/P600D 200V,6A SLD
CR111	1N4148	70464148	1N4148 75V 10MA SILICON DIODE
CR112	1N4148	70464148	1N4148 75V 10MA SILICON DIODE
CR114	1N4744	70440102	SZG40102 15V 5% ZENER DIO
CR115	MR752H	70400752	MR-752/P600D 200V,6A SLD
CR117	1N4148	70464148	1N4148 75V 10MA SILICON DIODE
CR118	1N4148	70464148	1N4148 75V 10MA SILICON DIODE
CR120	1N4148	70464148	1N4148 75V 10MA SILICON DIODE
CR121	1N4148	70464148	1N4148 75V 10MA SILICON DIODE
CR124	1N4003	70464003	1N4003 200V SILICON DIODE
CR125	1N4003	70464003	1N4003 200V SILICON DIODE
CR126	1N4148	70464148	1N4148 75V 10MA SILICON DIODE
CR127	1N4148	70464148	1N4148 75V 10MA SILICON DIODE
CR128	1N4148	70464148	1N4148 75V 10MA SILICON DIODE
CR129	1N4148	70464148	1N4148 75V 10MA SILICON DIODE
CR200	1N4148	70464148	1N4148 75V 10MA SILICON DIODE
CR201	1N4148	70464148	1N4148 75V 10MA SILICON DIODE
CR202	1N4003	70464003	1N4003 200V SILICON DIODE
L100	1.5UH	70519907	1.5 MH 10% COIL
Q102	5331	70405331	SJE-5331 120V CASE-77 NPN
Q105	2N6530	70406530	MPS-6530 TO-92 NPN
Q106	6534	70406533	MPS-6533/34 TO-92 PNP TRANS
Q109	7036	70407036	SJE-7036 120V CASE-77 PNP
Q113	MPSA13	70400013	MPS-A13 NPN DARLINGTON TN
Q200	MPSA13	70400013	MPS-A13 NPN DARLINGTON TN
R100	1K	70240017	1K—1/4W—5%—CF—T&R
R101	33K	70240030	33K—1/4W—5%—CF—T&R
R103	1.5K	70240018	1500—1/4W—5%—CF—T&R
R104	47K	70240031	47K—1/4W—5%—CF—T&R
R105	22K	70240029	22K—1/4W—5%—CF—T&R
R106	1.21KP1	70240046	1.21K-1/4W—1%—MF—T&R
R107	33	70240004	33—1/4W—5%—CF—T&R
R108	180	70240012	180—1/4W—5%—CF—T&R
R110	2KW5	70250063	2K—5W—10%—WW—AXL
R111	100FP	70240096	100FP-1/4W—5%—FP—T&R
R112	100FP	70240096	100FP-1/4W—5%—FP—T&R
R114	100FP	70240096	100FP-1/4W—5%—FP—T&R
R115	100FP	70240096	100FP-1/4W—5%—FP—T&R
R116	100FP	70240096	100FP-1/4W—5%—FP—T&R
R118	2KW5	70250063	2K—5W—10%—WW—AXL
R120	33K	70240030	33K—1/4W—5%—CF—T&R
R121	180	70240012	180—1/4W—5%—CF—T&R

R122	10K	70240025	10K—1/4W—5%—CF—T&R
R123	1.5K	70240018	1500—1/4W—5%—CF—T&R
R125	1K	70240017	1K—1/4W—5%—CF—T&R
R126	100	70240010	100—1/4W—5%—CF—T&R
R127	33K	70240030	33K—1/4W—5%—CF—T&R
R128	1K	70240017	1K—1/4W—5%—CF—T&R
R129	10K	70240025	10K—1/4W—5%—CF—T&R
R130	1K	70240017	1K—1/4W—5%—CF—T&R
R131	10K	70240025	10K—1/4W—5%—CF—T&R
R132	22W1	70210001	22—1W—5%—MO—T&R
R133	2.7K	70240021	2700—1/4W—5%—CF—T&R
R134	1.21KP1	70240046	1.21K-1/4W—1%—MF—T&R
R135	5.6W5	70250026	5.6—5W—10%—WW—AXL
R138	330W2R	70250074	330—RSS2W—5%—MO—AXL
R139	2.2K	70240020	2200—1/4W—5%—CF—T&R
R140	3.9M	70240064	3.9M—1/4W—5%—CF—T&R
R141	3.9M	70240064	3.9M—1/4W—5%—CF—T&R
R142	2.7KW1	70210016	2700—1W—10%—MO—T&R
R143	2.7KW1	70210016	2700—1W—10%—MO—T&R
R144	1M	70240039	1M—1/4W—5%—CF—T&R
R145	1.5K	70240018	1500—1/4W—5%—CF—T&R
R146	47K	70240031	47K—1/4W—5%—CF—T&R
R147	100K	70240034	100K—1/4W—5%—CF—T&R
R148	100K	70240034	100K—1/4W—5%—CF—T&R
R149	100K	70240034	100K—1/4W—5%—CF—T&R
R200	100K	70240034	100K—1/4W—5%—CF—T&R
R201	2.2K	70240020	2200—1/4W—5%—CF—T&R
R202	47K	70240031	47K—1/4W—5%—CF—T&R
R203	22K	70240029	22K—1/4W—5%—CF—T&R
R204	33K	70240030	33K—1/4W—5%—CF—T&R
R205	22K	70240029	22K—1/4W—5%—CF—T&R
R206	100K	70240034	100K—1/4W—5%—CF—T&R
R207	100	70240010	100—1/4W—5%—CF—T&R
T101	REL2250	71322250	15V 30A OUTPUT RELAY-SEAL
U100	87478	70487478	87478 SING OTA JG-PKG IC
U101	4558	70404558	RC-4558,P DUAL BI-PKG 10
U102	4558	70404558	RC-4558,P DUAL BI-PKG 10
U200	4558	70404558	RC-4558,P DUAL BI-PKG 10

WMA 150 OUTPUT BD.

NAME	VALUE	NUMBER	DESCRIPTION
C800	.22SF	70330096	0.22 MF 5% 100V STCK FILM
CR800	1N5393	70465393	1N5393-RL 200V,1.5,5%,ZD,T&R
CR801	1N5393	70465393	1N5393-RL 200V,1.5,5%,ZD,T&R
CR802	13886	70413886	S2-13886-2 DUAL DIODE SEL
Q800	84140	70484140	SJ-84140 NPN 4A 140V TO-3
Q801	84140	70484140	SJ-84140 NPN 4A 140V TO-3
Q802	74140	70474140	SJ-74140 PNP 4A 140V TO-3
Q803	74140	70474140	SJ-74140 PNP 4A 140V TO-3
R800	180	70240012	180—1/4W—5%—CF—T&R
R801	.33W10	70250011	.33—10W—10%—WW—AXL
R802	.33W10	70250011	.33—10W—10%—WW—AXL
R803	.33W10	70250011	.33—10W—10%—WW—AXL
R804	.33W10	70250011	.33—10W—10%—WW—AXL

WMA 150 PREAMP BD.

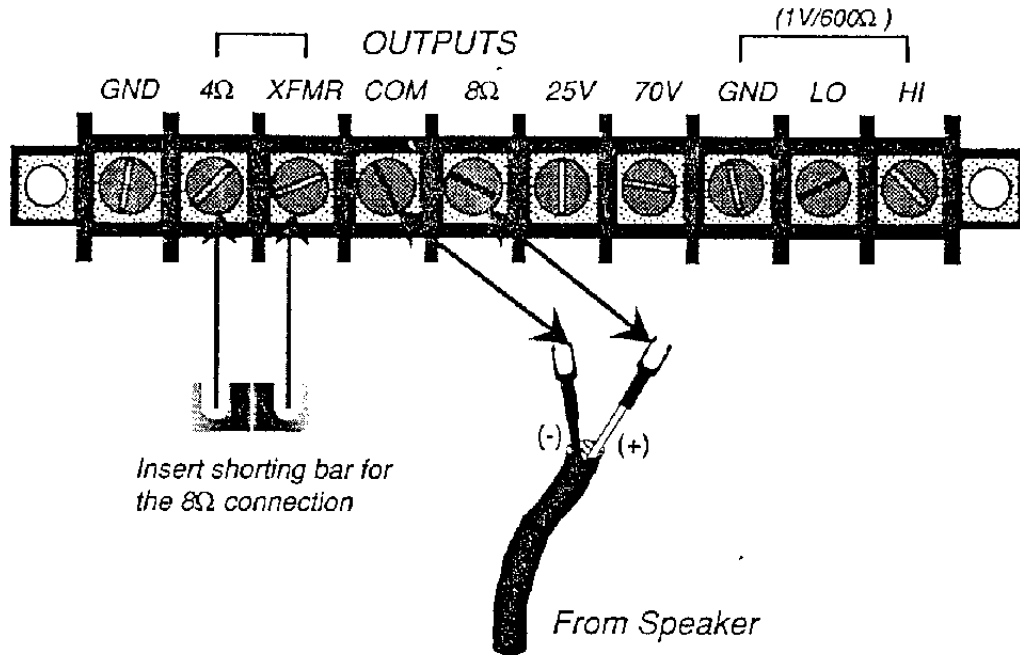
NAME VALUE NUMBER DESCRIPTION

C101	22A25	70320012	22 MFD 25VDC LYT. CAP. T&R
C102	22A25	70320012	22 MFD 25VDC LYT. CAP. T&R
C103	.001	70340000	.001 MFD 10% 50V MON T&R
C104	22A25	70320012	22 MFD 25VDC LYT. CAP. T&R
C105	.015	70340010	.015 MFD 10% 50V T/C T&R
C200	100PF	70340054	100PF 10% 50V TUB CER T&R
C201	10PF	70340050	10 PF 5% TUB CER T&R
C202	100PF	70340054	100PF 10% 50V TUB CER T&R
C203	22A25	70320012	22 MFD 25VDC LYT. CAP. T&R
C204	.1	70340100	.1 MFD +80-20LV AX.LP.T&R
C205	.1	70340100	.1 MFD +80-20LV AX.LP.T&R
C206	.1	70340100	.1 MFD +80-20LV AX.LP.T&R
C207	.1	70340100	.1 MFD +80-20LV AX.LP.T&R
C208	22A25	70320012	22 MFD 25VDC LYT. CAP. T&R
C211	22A25	70320012	22 MFD 25VDC LYT. CAP. T&R
C212	100PF	70340054	100PF 10% 50V TUB CER T&R
C300	.012	70340009	.012 MFD 10% 50V T/C T&R
C301	.1P10	70340101	.1 MFD 50 VDC 10% MON.T&R
C302	.012	70340009	.012 MFD 10% 50V T/C T&R
C303	.1P10	70340101	.1 MFD 50 VDC 10% MON.T&R
C304	22A25	70320012	22 MFD 25VDC LYT. CAP. T&R
C305	22A25	70320012	22 MFD 25VDC LYT. CAP. T&R
C306	.1	70340100	.1 MFD +80-20LV AX.LP.T&R
C307	.1	70340100	.1 MFD +80-20LV AX.LP.T&R
C308	.1P10	70340101	.1 MFD 50 VDC 10% MON.T&R
C309	.0015	70340002	.0015 MFD 10% 50V T/C T&R
C310	.1P10	70340101	.1 MFD 50 VDC 10% MON.T&R
C311	.0015	70340002	.0015 MFD 10% 50V T/C T&R
C312	22A25	70320012	22 MFD 25VDC LYT. CAP. T&R
C313	22A25	70320012	22 MFD 25VDC LYT. CAP. T&R
C314	.1	70340100	.1 MFD +80-20LV AX.LP.T&R
C315	.1	70340100	.1 MFD +80-20LV AX.LP.T&R
C316	.0015	70340002	.0015 MFD 10% 50V T/C T&R
C317	.1P10	70340101	.1 MFD 50 VDC 10% MON.T&R
C318	.0015	70340002	.0015 MFD 10% 50V T/C T&R
C319	.1P10	70340101	.1 MFD 50 VDC 10% MON.T&R
C320	22A25	70320012	22 MFD 25VDC LYT. CAP. T&R
C321	22A25	70320012	22 MFD 25VDC LYT. CAP. T&R
C324	.0015	70340002	.0015 MFD 10% 50V T/C T&R
C325	.012	70340009	.012 MFD 10% 50V T/C T&R
C326	.0015	70340002	.0015 MFD 10% 50V T/C T&R
C327	.012	70340009	.012 MFD 10% 50V T/C T&R
C328	22A25	70320012	22 MFD 25VDC LYT. CAP. T&R
C329	22A25	70320012	22 MFD 25VDC LYT. CAP. T&R
C330	.1	70340100	.1 MFD +80-20LV AX.LP.T&R
C331	.1	70340100	.1 MFD +80-20LV AX.LP.T&R
C332	.012	70340009	.012 MFD 10% 50V T/C T&R
C333	.012	70340009	.012 MFD 10% 50V T/C T&R
C334	22A25	70320012	22 MFD 25VDC LYT. CAP. T&R
C400	100A10	70320193	100MFD 20% 10VDC EL T&R
C401	.068	70340018	.068 MFD 10% 50V MON T&R
C402	100A10	70320193	100MFD 20% 10VDC EL T&R
C403	2.2A35	70320200	2.2MFD 35VDC LY.CAP T&R
C404	.1	70340100	.1 MFD +80-20LV AX.LP.T&R
C405	.1	70340100	.1 MFD +80-20LV AX.LP.T&R
C406	.068	70340018	.068 MFD 10% 50V MON T&R
C407	22A25	70320012	22 MFD 25VDC LYT. CAP. T&R
C408	.1	70340100	.1 MFD +80-20LV AX.LP.T&R
C409	.1	70340100	.1 MFD +80-20LV AX.LP.T&R
C410	.022	70340012	.022 MFD 10% 50V MON.T&R
C411	.022	70340012	.022 MFD 10% 50V MON.T&R
C412	.022	70340012	.022 MFD 10% 50V MON.T&R
C413	22A25	70320012	22 MFD 25VDC LYT. CAP. T&R
C414	22A25	70320012	22 MFD 25VDC LYT. CAP. T&R
C415	.01	70340011	.01 MFD 10% 50V T/C T&R
C416	.1	70340100	.1 MFD +80-20LV AX.LP.T&R
C417	.1	70340100	.1 MFD +80-20LV AX.LP.T&R
C418	22A25	70320012	22 MFD 25VDC LYT. CAP. T&R
C500	22A25	70320012	22 MFD 25VDC LYT. CAP. T&R
C501	.1	70340100	.1 MFD +80-20LV AX.LP.T&R
C502	22A25	70320012	22 MFD 25VDC LYT. CAP. T&R
C503	.1	70340100	.1 MFD +80-20LV AX.LP.T&R
C504	39PF	70340052	39PF 50V TUB CER T&R
C505	100A10	70320193	100MFD 20% 10VDC EL T&R
C506	.1	70340100	.1 MFD +80-20LV AX.LP.T&R
C507	01DVL	70320104	.01MFD 125V DVL MYL+0-20%
C508	01DVL	70320104	.01MFD 125V DVL MYL+0-20%
C509	.1	70340100	.1 MFD +80-20LV AX.LP.T&R
C510	22A25	70320012	22 MFD 25VDC LYT. CAP. T&R
C511	1000V35	70320122	1000 MFD 35VDC R/M 22.5MM
C512	.01CER	70320099	.01MFD 1000VDC CD-UNCUT
C513	22A25	70320012	22 MFD 25VDC LYT. CAP. T&R
C514	22A25	70320012	22 MFD 25VDC LYT. CAP. T&R
C515	1000V35	70320122	1000 MFD 35VDC R/M 22.5MM
C516	22A25	70320012	22 MFD 25VDC LYT. CAP. T&R
C517	01DVL	70320104	.01MFD 125V DVL MYL+0-20%
CR100	1N4148	70464148	1N4148 75V 10MA SILICON
CR101	1N4148	70464148	1N4148 75V 10MA SILICON
CR500	1N4148	70464148	1N4148 75V 10MA SILICON
CR501	1N4148	70464148	1N4148 75V 10MA SILICON

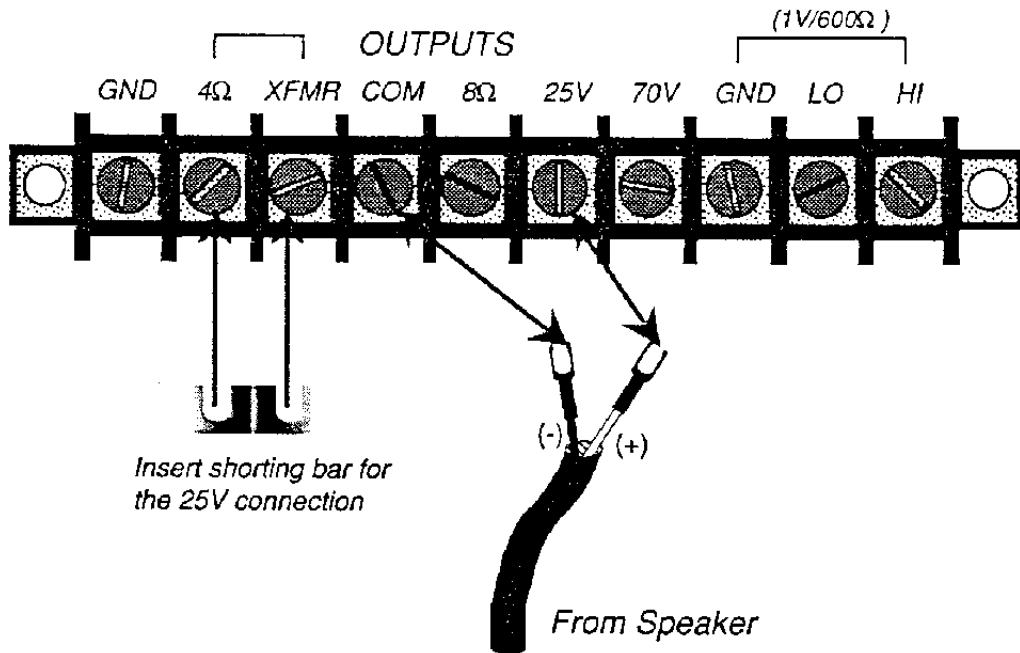
CR502	1N4148	70464148	1N4148 75V 10MA SILICON
CR503	1N4148	70464148	1N4148 75V 10MA SILICON
CR504	1N4148	70464148	1N4148 75V 10MA SILICON
CR505	1N4003	70464003	1N4003 200V SILICON DIODE
CR506	1N4003	70464003	1N4003 200V SILICON DIODE
CR507	1N4148	70464148	1N4148 75V 10MA SILICON
CR508	1N4003	70464003	1N4003 200V SILICON DIODE
CR509	1N4148	70464148	1N4148 75V 10MA SILICON
CR510	1N4003	70464003	1N4003 200V SILICON DIODE
F500	1ASB	70900379	1 AMP SLOW BLOW FUSE
F501	1ASB	70900379	1 AMP SLOW BLOW FUSE
Q100	VN2222LL	70402222	VN2222LL TO 92 MOSFET
Q101	VN2222LL	70402222	VN2222LL TO 92 MOSFET
Q102	6531	70406531	MPS-6530/31 TO-92 NPN TRANS
Q500	7824T220	70427824	MC7824CT POS. V.R. - TO220
Q501	7815T220	70400340	7815 15V 1A POS TO-220 RG
Q502	7915T220	70400320	7915 15V 1A NEG TO-220 RG
R100	47K	70240031	47K-1/4W-5% CF-T&R
R101	100K	70240034	100K-1/4W-5% CF-T&R
R102	1.5K	70240018	1500-1/4W-5% CF-T&R
R103	1.5K	70240018	1500-1/4W-5% CF-T&R
R104	47K	70240031	47K-1/4W-5% CF-T&R
R105	100K	70240034	100K-1/4W-5% CF-T&R
R106	150K	70240035	150K-1/4W-5% CF-T&R
R107	220K	70240036	220K-1/4W-5% CF-T&R
R108	100K	70240034	100K-1/4W-5% CF-T&R
R109	10K	70240025	10K-1/4W-5% CF-T&R
R200	15K	70240027	15K-1/4W-5% CF-T&R
R201	10K	70240025	10K-1/4W-5% CF-T&R
R203	11.5KP1	70240053	11.5K-1/4W-1% MF-T&R
R204	10K	70240025	10K-1/4W-5% CF-T&R
R205	10K	70240025	10K-1/4W-5% CF-T&R
R206	4.7K	70240023	4700-1/4W-5% CF-T&R
R207	10K	70240025	10K-1/4W-5% CF-T&R
R208	10K	70240025	10K-1/4W-5% CF-T&R
R211	3.3K	70240022	3300-1/4W-5% CF-T&R
R212	10K	70240025	10K-1/4W-5% CF-T&R
R213	10K	70240025	10K-1/4W-5% CF-T&R
R214	10K	70240025	10K-1/4W-5% CF-T&R
R215	10K	70240025	10K-1/4W-5% CF-T&R
R216	8.2K	70240049	8.2K-1/4W-5% CF-T&R
R217	100K	70240034	100K-1/4W-5% CF-T&R
R218	10K	70240025	10K-1/4W-5% CF-T&R
R219	10K	70240025	10K-1/4W-5% CF-T&R
R300	20KP1	70241040	20K-1/4W-1% MF-T&R
R301	75KP1	70241032	75.0K-1/4W-1% MF-T&R
R302	10K	70240025	10K-1/4W-5% CF-T&R
R303	39K	70240048	39K-1/4W-5% CF-T&R
R304	1.5K	70240018	1500-1/4W-5% CF-T&R
R305	1.5K	70240018	1500-1/4W-5% CF-T&R
R306	2.7K	70240021	2700-1/4W-5% CF-T&R
R307	10K	70240025	10K-1/4W-5% CF-T&R
R308	39K	70240048	39K-1/4W-5% CF-T&R
R309	75KP1	70241032	75.0K-1/4W-1% MF-T&R
R310	20KP1	70241040	20K-1/4W-1% MF-T&R
R311	39K	70240048	39K-1/4W-5% CF-T&R
R312	1.5K	70240018	1500-1/4W-5% CF-T&R
R313	1.5K	70240018	1500-1/4W-5% CF-T&R
R314	5.62KP1	70241008	5.62K-1/4W-1% MF-T&R
R315	10K	70240025	10K-1/4W-5% CF-T&R
R316	39K	70240048	39K-1/4W-5% CF-T&R
R317	20KP1	70241040	20K-1/4W-1% MF-T&R
R318	20KP1	70241040	20K-1/4W-1% MF-T&R
R319	10K	70240025	10K-1/4W-5% CF-T&R
R320	1.5K	70240018	1500-1/4W-5% CF-T&R
R321	1.5K	70240018	1500-1/4W-5% CF-T&R
R322	5.62KP1	70241008	5.62K-1/4W-1% MF-T&R
R323	2.7K	70240021	2700-1/4W-5% CF-T&R
R324	20KP1	70241040	20K-1/4W-1% MF-T&R
R325	75KP1	70241032	75.0K-1/4W-1% MF-T&R
R326	10K	70240025	10K-1/4W-5% CF-T&R
R327	39K	70240048	39K-1/4W-5% CF-T&R
R328	1.5K	70240018	1500-1/4W-5% CF-T&R
R329	1.5K	70240018	1500-1/4W-5% CF-T&R
R330	2.7K	70240021	2700-1/4W-5% CF-T&R
R331	10K	70240025	10K-1/4W-5% CF-T&R
R332	39K	70240048	39K-1/4W-5% CF-T&R
R333	20KP1	70241040	20K-1/4W-1% MF-T&R
R334	1.5K	70240018	1500-1/4W-5% CF-T&R
R335	5.62KP1	70241008	5.62K-1/4W-1% MF-T&R
R400	4.7K	70240023	4700-1/4W-5% CF-T&R
R401	2.2K	70240020	2200-1/4W-5% CF-T&R
R402	4.7K	70240023	4700-1/4W-5% CF-T&R
R403	4.7K	70240023	4700-1/4W-5% CF-T&R
R404	4.7K	70240023	4700-1/4W-5% CF-T&R
R405	4.7K	70240023	4700-1/4W-5% CF-T&R
R406	2.2K	70240020	2200-1/4W-5% CF-T&R
R407	4.7K	70240023	4700-1/4W-5% CF-T&R
R408	10	70240003	10-1/4W-5% CF-T&R
R409	10	70240003	10-1/4W-5% CF-T&R
R410	28KP1	70241025	28K-1/4W-1% MF-T&R
R411	1.5K	70240018	1500-1/4W-5% CF-T&R
R412	1.5K	70240018	1500-1/4W-5% CF-T&R
R413	56K	70240026	56K-1/4W-5% CF-T&R
R414	100K	70240034	100K-1/4W-5% CF-T&R

R415	100K	70240034	100K-1/4W-5% CF-T&R
R416	100K	70240034	100K-1/4W-5% CF-T&R
R500	100K	70240034	100K-1/4W-5% CF-T&R
R501	3.9K	70241093	3.9K-1/4W-5% CF-AXL
R502	22K	70240029	22K-1/4W-5% CF-T&R
R503	100K	70240034	100K-1/4W-5% CF-T&R
R504	1K	70240017	1K-1/4W-5% CF-T&R
R505	330	70240014	330-1/4W-5% CF-T&R
R506	4.7K	70240023	4700-1/4W-5% CF-T&R
R507	47	70240008	47-1/4W-5% CF-T&R
R508	150K	70240035	150K-1/4W-5% CF-T&R
R509	22K	70240029	22K-1/4W-5% CF-T&R
R510	47	70240008	47-1/4W-5% CF-T&R
R511	100K	70240034	100K-1/4W-5% CF-T&R
R512	680	70240016	680-1/4W-5% CF-T&R
R513	100W1	70210003	100-1W-5% MO-T&R
R514	100W1	70210003	100-1W-5% MO-T&R
R515	1.5K	70240018	1500-1/4W-5% CF-T&R
SW400	SURSW	71322270	PUSH SWITCH LATCHING
SW401	SURSW	71322270	PUSH SWITCH LATCHING
SW402	SURSW	71322270	PUSH SWITCH LATCHING
T200	12VRELAY	71322277	DPDT RELAY 12V
U200	5532	70405532	NE5532FE DUAL LO-NOISE
U201	4560	70404560	4560 DUAL OP AMP IC
U300	4560	70404560	4560 DUAL OP AMP IC
U301	4560	70404560	4560 DUAL OP AMP IC
U302	TL074	70400074	QUAD BIFET OP-AMP
U400	4560	70404560	4560 DUAL OP AMP IC
U401	4560	70404560	4560 DUAL OP AMP IC
U402	TL072	70400072	TL0-72 DUAL BIFET JG PKG
U500	2150A	70402150	DBX2150A VLTG CTRL AMP IC

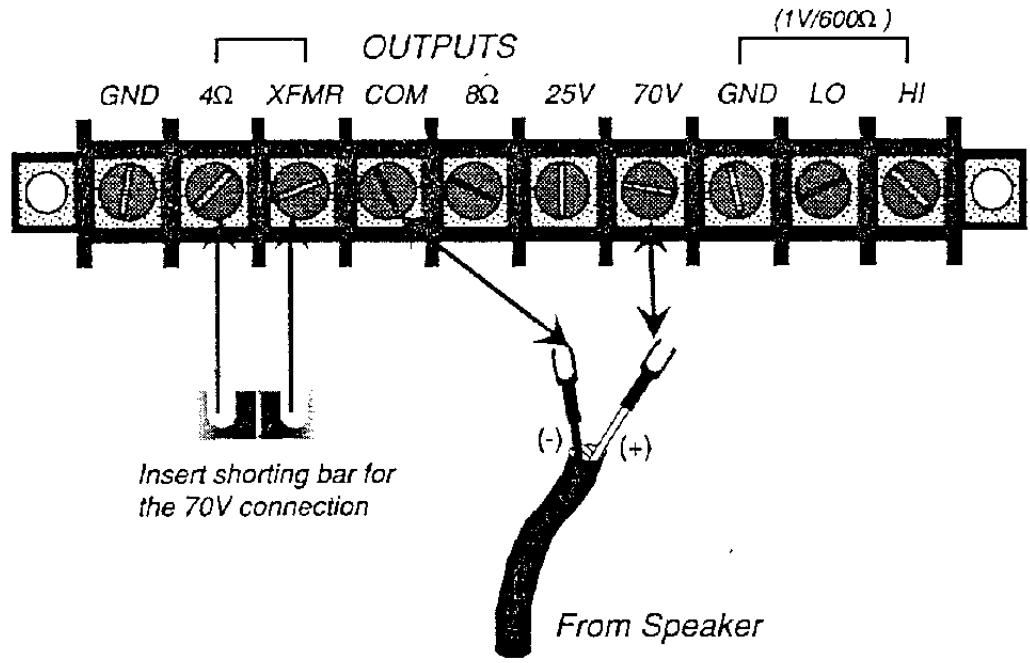
When connecting speakers to the 8Ω balanced transformer output, connect as illustrated below.



When connecting speakers to the 25 V balanced transformer output, connect as illustrated below.



When connecting speakers to the 70 V balanced transformer output, connect as illustrated below.



When connecting speakers to the 4Ω output (unbalanced direct output), connect as illustrated below.

