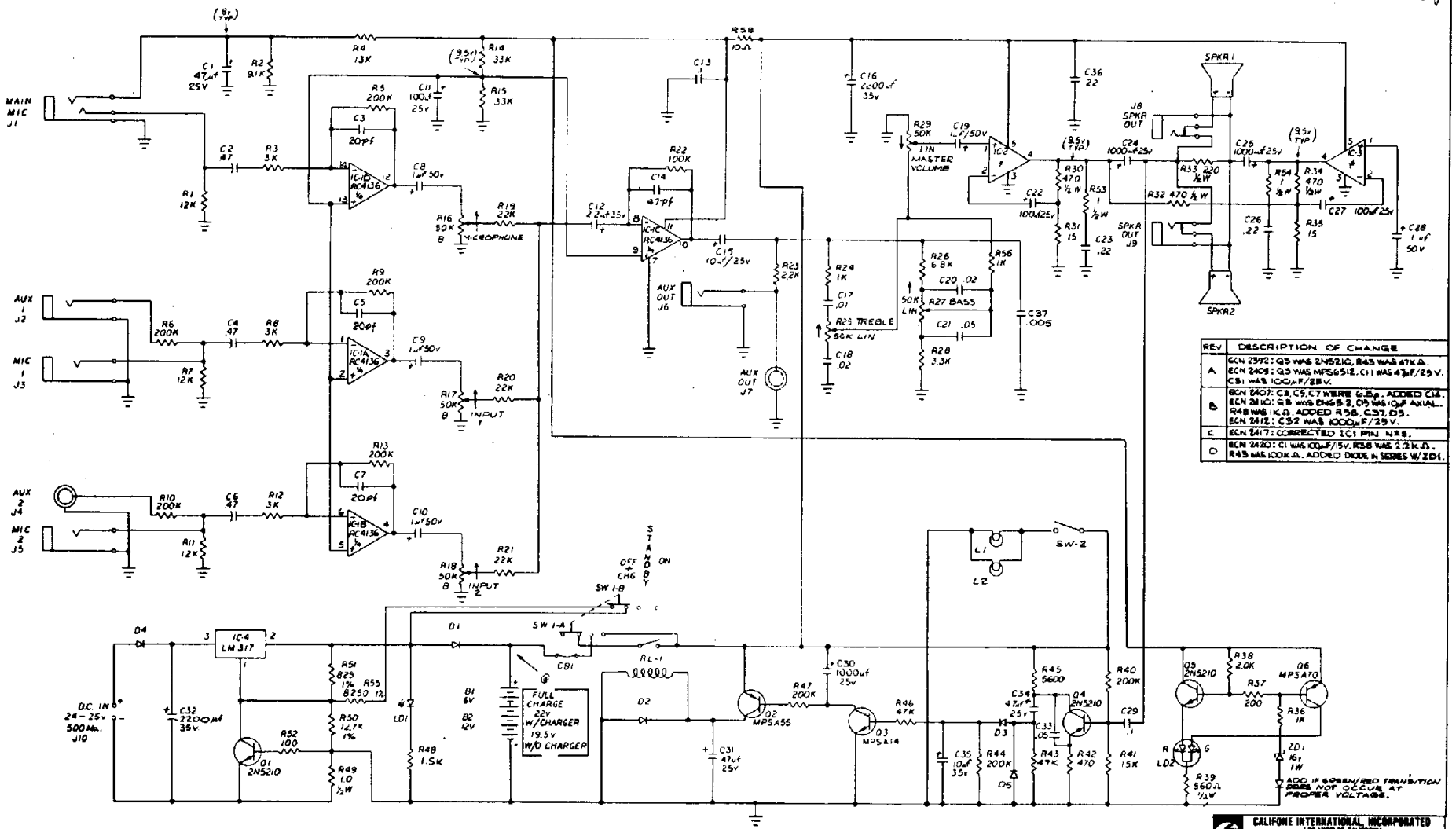


REV	E.C.N. NUMBER	DATE	APPRO
A	REVISED PER E.C.N. # 2406, 2892	6/26/70	NW
B	REVISED PER E.C.N. # 2410, 2412	7/31/70	T-D
C	REVISED PER E.C.N. # 2417	11-12-70	W
D	REVISED PER E.C.N. # 2420	7/14/71	W



REV	DESCRIPTION OF CHANGE
A	E.C.N. 2392: Q5 WAS 2N5210, R43 WAS 47K. E.C.N. 2408: Q3 WAS MPS6512, C11 WAS 47PF/25V, C81 WAS 100UF/25V.
B	E.C.N. 2407: C3, C5, C7 WERE 6.8K. ADDED C14. E.C.N. 2410: C8 WAS 4N612, Q5 WAS 100UF/25V. E.C.N. 2412: C32 WAS 1000UF/25V.
C	E.C.N. 2417: CORRECTED IC1 PIN #28.
D	E.C.N. 2420: C1 WAS 100UF/5V, R58 WAS 2.2K. R43 WAS 100K. ADDED DIODE IN SERIES W/ ZD1.

- LAST R NO 58
- .. C NO 36
- .. D NO 6
- .. D NO 5
- .. IC NO 4
- .. LD NO 2

NOTE: IC-2, IC-3 ARE LM2002 OR 2008

CALIFONE INTERNATIONAL INCORPORATED
 100 ARDEN BLVD. COSTA MESA, CALIF. 92626
 PHONE (714) 769-1100
 FAX (714) 769-1101

SCHEMATIC MODEL 2513

DESIGNED BY **K. COOPER** DATE **7/14/70**
 DRAWN BY **W. WILBY**

TOLERANCE LIMITS: RESISTORS 1% UNLESS NOTED
 CAPACITORS 5% UNLESS NOTED

SCALE: DRAWING NO. **008-1429-00** SHEET **D**

PARTS LIST

Ref. Design	Part Number	Description
IC-1	017-0533-00	Integrated Circuit RC4136N
IC-2, IC-3	017-0544-00	Integrated Circuit TDA-2006V or TDA2002
IC-4	017-0546-00	Integrated Circuit, Voltage Reg LM317
Q1, Q4, Q5	017-0494-00	Transistor, 2N5210
Q2	017-0483-00	Transistor, MPS-A55
	017-0497-00	Transistor. MPS-A14
	017-0476-00	Transistor; MPSA70
ZD1	017-0543-00	Diode, Zener 16V 1 W
D1-D5	017-0410-00	Diode, 200V. 1 A
LD1	024-0541-00	LED, Orange (Battery Charging)
LD2	024-0542-00	LED, Bi-Color (Battery Level)
CB1	025-0417-00	Circuit Breaker, 1.75A Auto-Reset
R16, R17, R16	013-I 114-00	Potentiometer, 50K ohm "B" Taper (Main Mic, Aux/Mic 1, and Aux/Mic 2 Level)
R25, R27, R29	013-I 096-00	Potentiometer, 50K ohm Linear Taper (Treble, Bass, and Master Volume)
	025-0418-00	Knob (for above potentiometers)
RLI	013-I 146-00	Relay, 24 VDC SPST
LI, L2	024-0532-00	Lamp, #313 (Early Production)
L1, L2	024-0552-00	Lamp, Leecraft #80-161
SW1	013-I 090-00	Switch, Rocker 2P3T (ON/OFF/STANDBY)
SW2	013-1041-01	Switch, Rocker DPDT (Lights)
SPKR 1, SPKR 2	020-0056-00	Speaker, 6 x 9 inch, 6 ohm
81.82		* (Early Production Batteries)
B1	018-0495-00	Battery Pack, Sealed Lead-Acid, 18V, 4 AH
	022-I 636-00	Bracket for 018-0495-00
J1	029-7315-00	Jack, 3 Circuit (Main Mic)
J2, J3, J5, J6	029-7261-00	Jack, Open Circuit (Aux 1 In, Mic 2 In, Aux Out)
J4, J7	029-7290-00	Jack, Phono (Aux 2 In, Aux Out)
J6, J9	029-7457-00	Jack, Closed Circuit, Insulated (SPKR Out)
J10	029-7561-00	Jack, 3.5mm (DC Power)
	016-0095-00	Lockwasher, $\frac{1}{8}$ -inch I.D. (for above jacks)
	016-0060-00	Washer, Concave (for above jacks)
	028-9002-00	Nut, Hex, $\frac{1}{8}$ -inch I.D. (for above jacks)
	018-0479-00	Wall-mounted power supply (less plug)
	029-7463-00	Plug, 3.5mm (for above power supply)
	015-0070-00	Microphone, Gooseneck
	015-0070-01	Windscreen for 015-0070-00
	022-I 556-00	Carrying Cover (with handle and storage compartment)
	022-I 557-00	Top Cover

* Early production (up to Serial Number EC-WC01 , used two sealed lead-acid batteries tied together with a plastic tie clamp, available only as a set. These batteries were held in place by a bracket mounted with four screws. Later Production uses the Battery Pack listed above, three batteries plastic-welded together and held in place by a wood block and a bracket mounted with two screws. If you need to replace the Battery Pack in a Lectern before Serial Number EC-50001, check with the factory. When the original Battery Pack is no longer available, a Retrofit Kit will be made available to allow you to mount the new Battery Pack.